

TOTALINER SLIDING CARGO TRAY FOR MIDSIZE PICKUPS(TOYOTA TACOMA 16+/  
CHEVY COLORADO 15+/FORD RANGER 19+/NISSAN FRONTIER 22+/JEEP GLADIATOR 21+)



TEL: 1-866-XANATOS

## **INSTALLATION INSTRUCTIONS**

**TOTALINER SLIDING CARGO TRAY FOR MIDSIZE PICKUPS**

**(TOYOTA TACOMA 16+/CHEVY COLORADO 15+/FORD RANGER 19+/  
NISSAN FRONTIER 22+/JEEP GLADIATOR 21+)**

**PART # BSCP03B**

**PROTECTED BY ONE OR MORE PATENT**

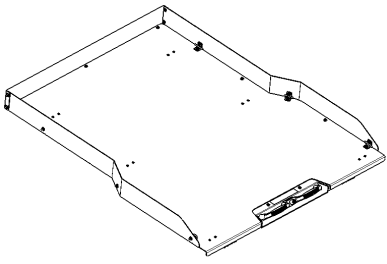
## Before Installation

- Please read the instruction completely for easy installation, which will also help you to avoid scratches or other potential damages to your appealing car.
- The figures here are for reference only and may have differences with the actual product you received, however they share the same assembly way.

## Care and Cleaning

- Mild soap may be used also to clean the product.
- Please periodically check and retighten all the hardware and clean the investment for a refresh look.

## Parts list

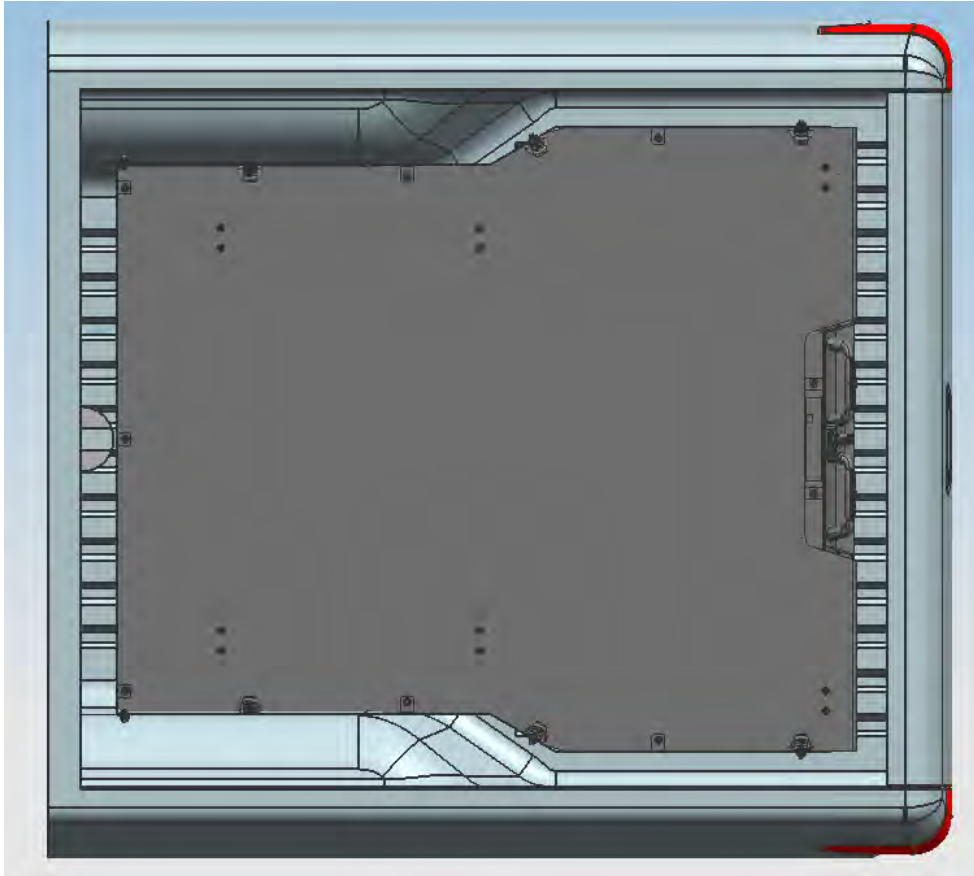
NO.	QTY	NAME	NO.	QTY	NAME
①	1	 <p>Slide tray</p>			
Hardware list:					
②	4	Hex bolt M10_65	③	8	Large washer D12 (12x44x4mm)
④	4	Lock washer D10	⑤	4	Hex nut M10
⑥	4	φ 16×12 Pastic washer			

## Installation Steps

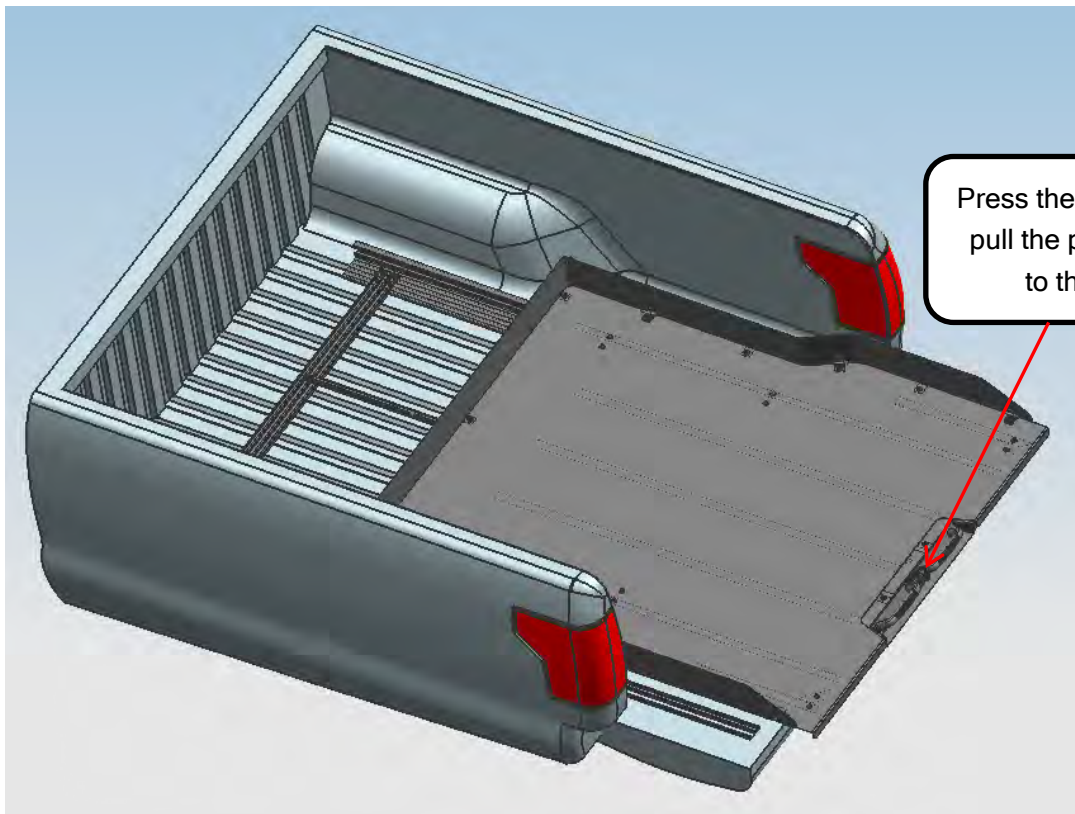
### Installation Figure:

TOTALINER SLIDING CARGO TRAY FOR MIDSIZE PICKUPS(TOYOTA TACOMA 16+/  
CHEVY COLORADO 15+/FORD RANGER 19+/NISSAN FRONTIER 22+/JEEP GLADIATOR 21+)

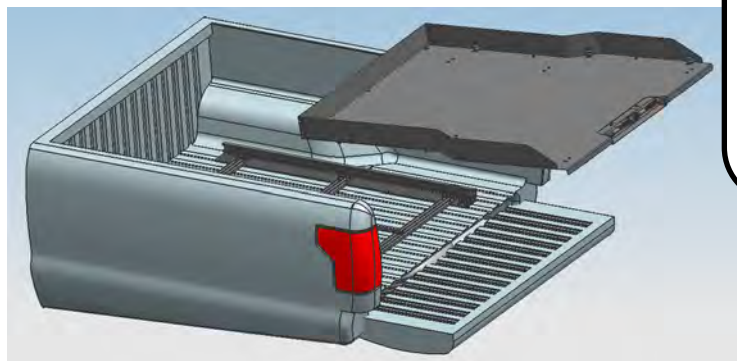
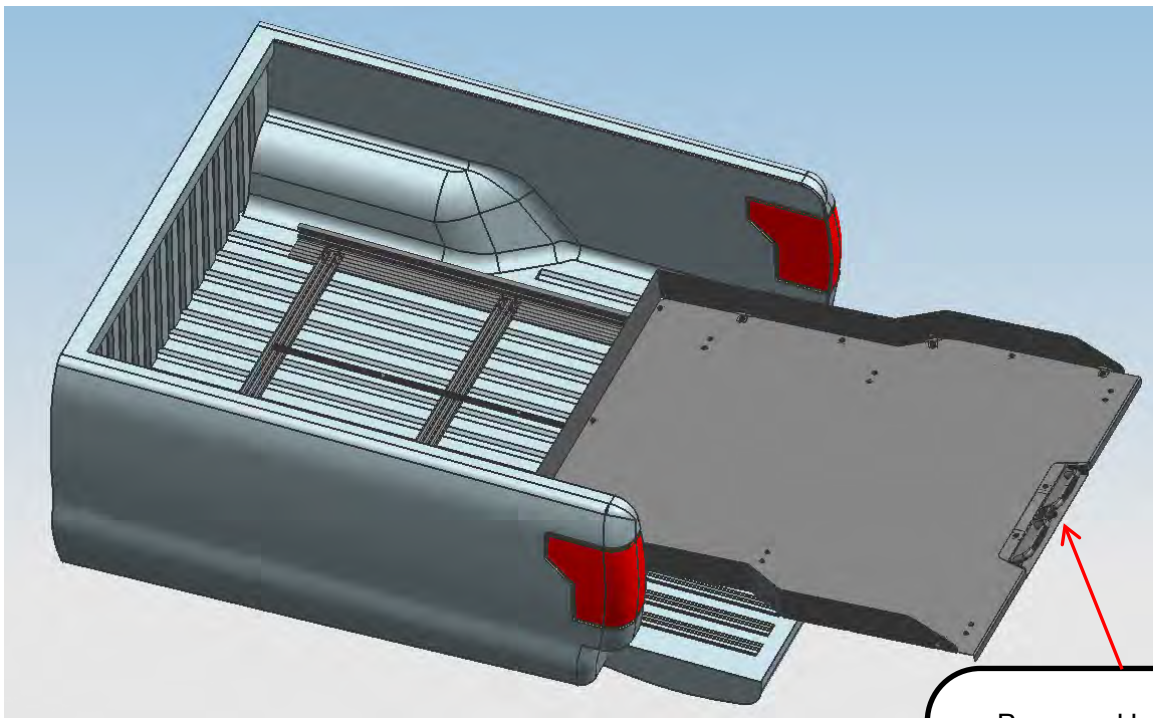
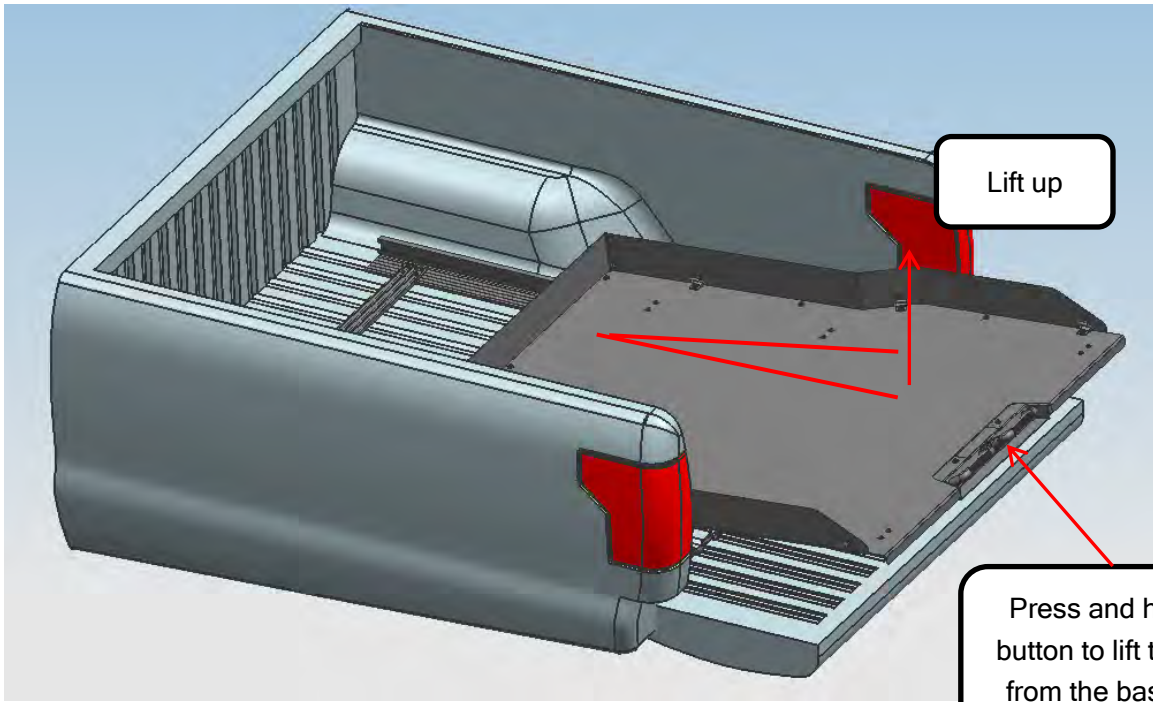
Step 1: Put the slide tray on the truck bed, adjust the base of slide tray to appropriate position.



Step 2: After adjusted the position, remove the plate from the base according to the following steps.

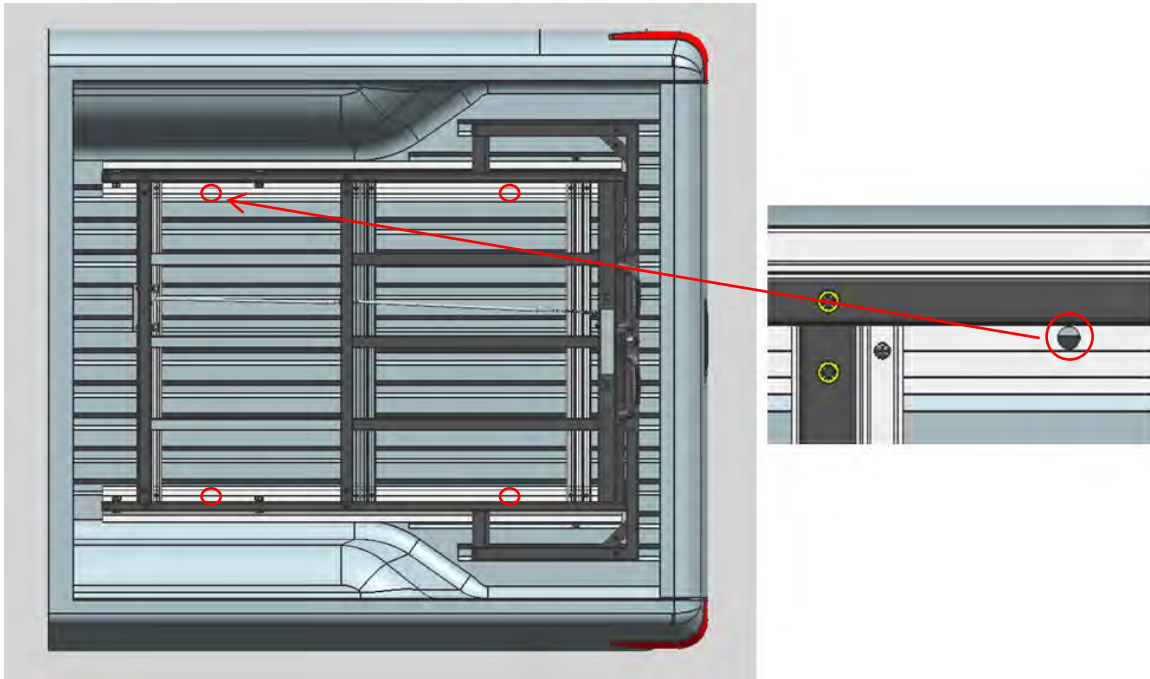


TOTALINER SLIDING CARGO TRAY FOR MIDSIZE PICKUPS(TOYOTA TACOMA 16+/  
CHEVY COLORADO 15+/FORD RANGER 19+/NISSAN FRONTIER 22+/JEEP GLADIATOR 21+)

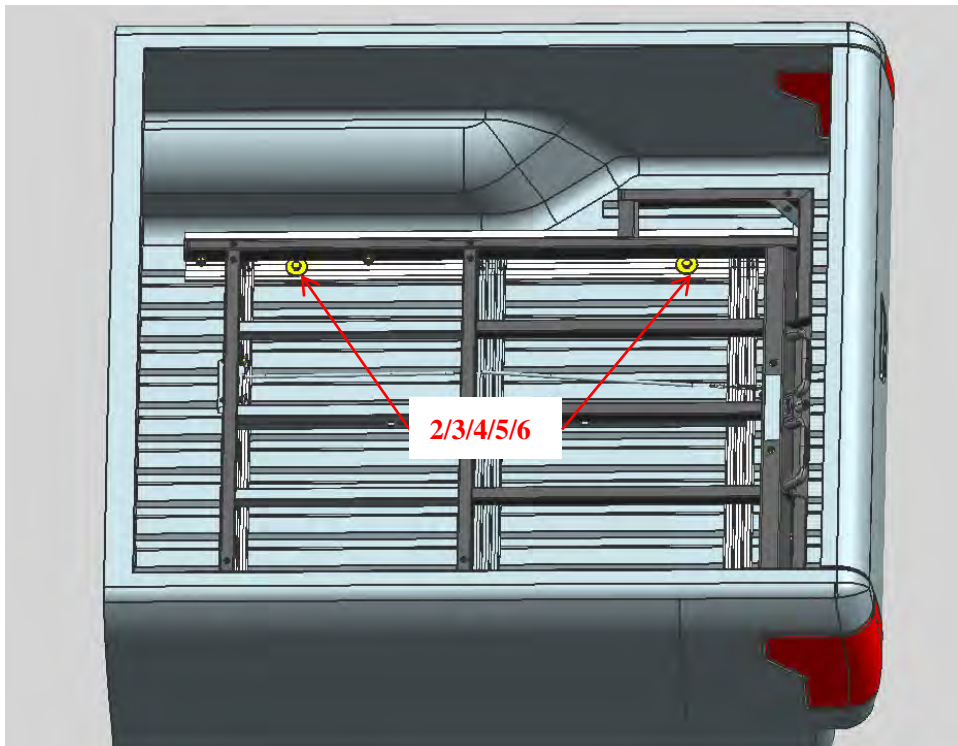


TOTALINER SLIDING CARGO TRAY FOR MIDSIZE PICKUPS(TOYOTA TACOMA 16+/  
CHEVY COLORADO 15+/FORD RANGER 19+/NISSAN FRONTIER 22+/JEEP GLADIATOR 21+)

Step 3: Drill 4 holds (∅12mm) on the aluminum base, as figure shown below. Holds on each side should be kept in the same distance;



Step 4: Install the base of slide tray ① on the truck bed with hardware ②③④⑤⑥



Step 5: Install the plate on the base according to the remove method.

Step 6: Test and make sure that the slide tray is steadily fixed, fully tighten all hardware.

Step 7: Installation is finished, pick up all tools.

## NOTE

Any damages and losses caused by improper installation and application, goes beyond our quality warranty.