

Soft Trifold Cover

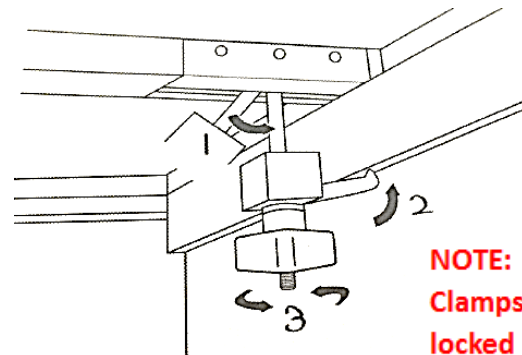
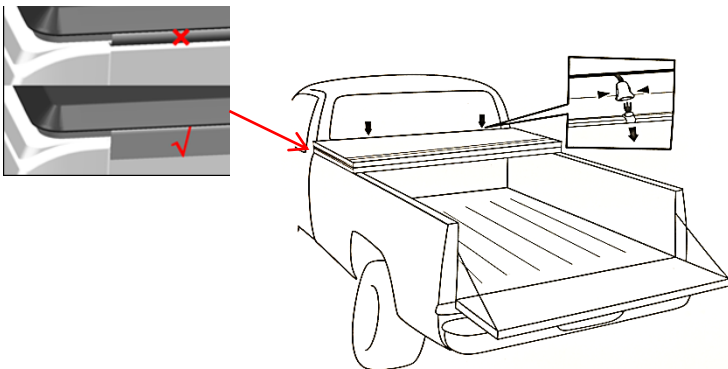
Before Installation

- Please read the instruction completely for easy installation, which will also help you to avoid scratches or other potential damages to your appealing car.
- Please verify the check list attached to make sure all the parts are included in the package

Installation Steps

Step 1:

1. Take the Soft Trifold Cover out of box and place it on the truck with the retaining strap toward the back window of truck.
2. Thoroughly inspect the cover before installation.
3. To prevent water penetration, the bulkhead seal must be installed and stretched out on the outer edge of cab rail. Curling of the seal will lead to failure in water-resistant performance.
4. Square up the cover against the bed rails and front bed wall, make sure it's even on all side.



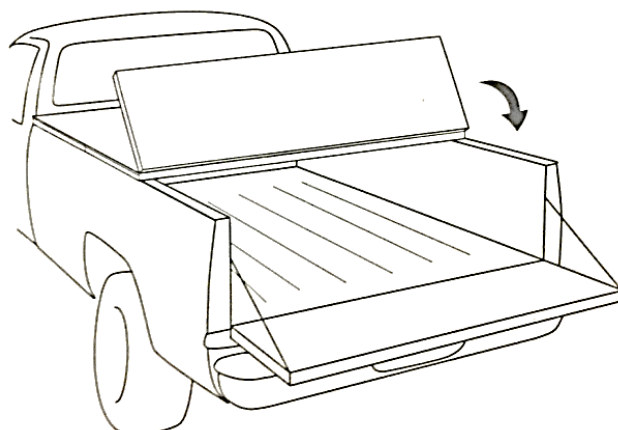
NOTE:
Clamps must be locked to metal bed rail lips for security

Step 2:

1. Pull down both front clamps
2. Place the jaw portion of the clamp just under the METAL bed rail lip. (Position adjustable by turning the knob.)
3. Hold the clamp against the bed rail lip and fasten the clamp by screwing up until the clamp is snug and the cover side "Q" seals are compressed

Step 3:

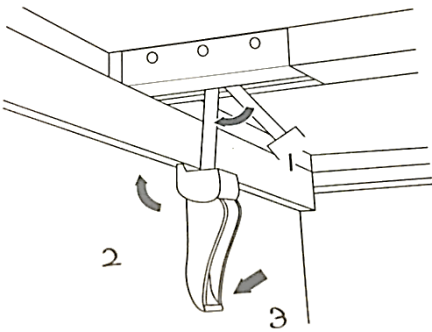
Unfold the cover towards the tailgate till it's fully covered , ensure it's even on both sides. (The cover may not cover outside edge of the bed rail completely due to the various shapes of the truck bed.)



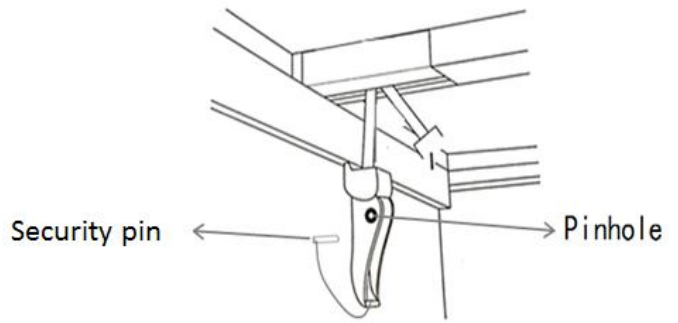
INSTALLATION INSTRUCTIONS

Step 4:

1. Pull down the rear latches
2. Place the jaw portion just under the MEATL bed rail lip (Position adjustable by screwing handle up or down)
3. Hold the handle against the bed rail lip and tighten the latch by simply pull it down to vertical position until the clamp is snug and the cover side "Q" seals are compressed.



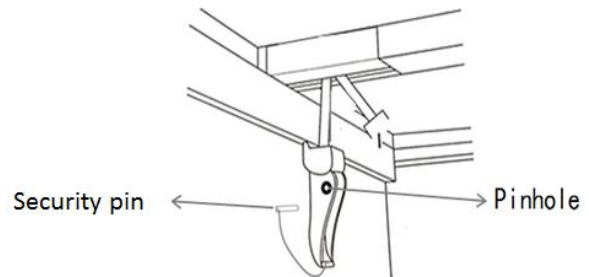
NOTE:
Clamps must be locked to metal bed rail lips for security



Step 5:

When the installation is completed, insert the security pin into the pin hole

In other cases, the safety pin is placed behind of the handle



Safety Note

All clamps must be secured prior to vehicle operation

NEVER PLACE THE CLAMPS UNDER THE PLASTIC BED RAIL CAP LIPS AND

NEVER DRIVE WITH THE COVER FOLD OPEN

AND THE SAFETY STRAPS UNBUCKLED.