



**INSTALLATION INSTRUCTIONS**  
**BLACK MODULAR GRILLE GUARD FOR 02-05 FORD EXPLORER 4DR**  
**PART # 17FJ26MA**

**NOTE:** Please read this information before assembling. Complete step by step instruction sheets will be found on the following page. The one-piece front guard has been designed to be installed on vehicle in one complete stage. **NO DRILLING REQUIRED**

Illustrations are for reference only, styles vary with application. Please proceed to next page of the instruction sheet.

**IMPORTANT:** To obtain correct installation, we recommend you to follow these step by step instructions carefully.

Please take care when assembling and installing this product to protect the finish and your investment. To protect your investment, wax this product after installing. Regular waxing is recommended. Do not use any type of polish or wax that contains abrasive that could damage the finish.

**Step One:** Locate hardware and check the contents with the hardware listed below.

DESCRIPTION	QTY
M12 x 35mm Hex Head Bolts	10
M12 Lock Nuts	6
M12 Flat Washers	16
M6 x 20mm Phillips Bolts	2
M6 Lock Nuts	2
M6 Flat Washers	4
Mounting Bracket-Left	1
Mounting Bracket-Right	1
Front Support Bracket	1
Retainer Brackets	2
Nut M8	6
Spring Washer D8	12
Button Head Bolt M8__25	6
Wrench S=5	1
Wrench S=4	1

**Step Two:** Locate the Mounting Brackets, (2) Retainer Brackets, (4) M12 x 30mm Hex Head Bolts, (4) M12 Lock nuts, and (4) M12 Flat washers. Insert Retainer Bracket through the slotted hole on the frame of truck as shown in Fig 1. Line up holes on the bracket with holes on the frame. **NOTE:** Make sure the flat side of the Retainer Bracket is facing down when inserted into the frame. Orient Mounting Brackets as per Fig 2 and loosely install them to the Retainer Brackets by using the hardware listed in this step.

**Step Three:** Locate (6) M12 x 35mm Hex Head Bolts, (6) Lock Nuts, and (12) Flat Washers. Position the Guard on the vehicle and place the lower portion of the guard to the inside of the lower support brackets as per Fig 3. Secure the Guard to Mounting Brackets with hardware listed in this step. Please do not tighten at this time.

**Step Three:** Loosen up the factory plastic grille by unfastening the top four fasteners. Insert Front Support Bracket through plastic grille as per Fig 4. Install it to vehicle by using factory screw as per Fig 5. Once the Front Support Bracket is secure to the vehicle, re-install factory plastic grille.

**Step Four:** Locate (2) M6 Philips Bolts, (2) M6 Lock Nuts, and (2) M6 Flat Washers. Install Front Support Bracket to Guard by using the hardware listed in this step as per Fig 6. Tighten all hardware at this time.



**Fig 1**



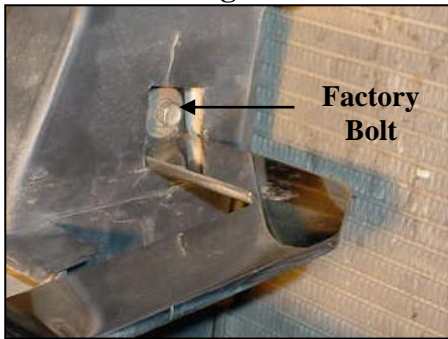
**Fig 2**



**Fig 3**



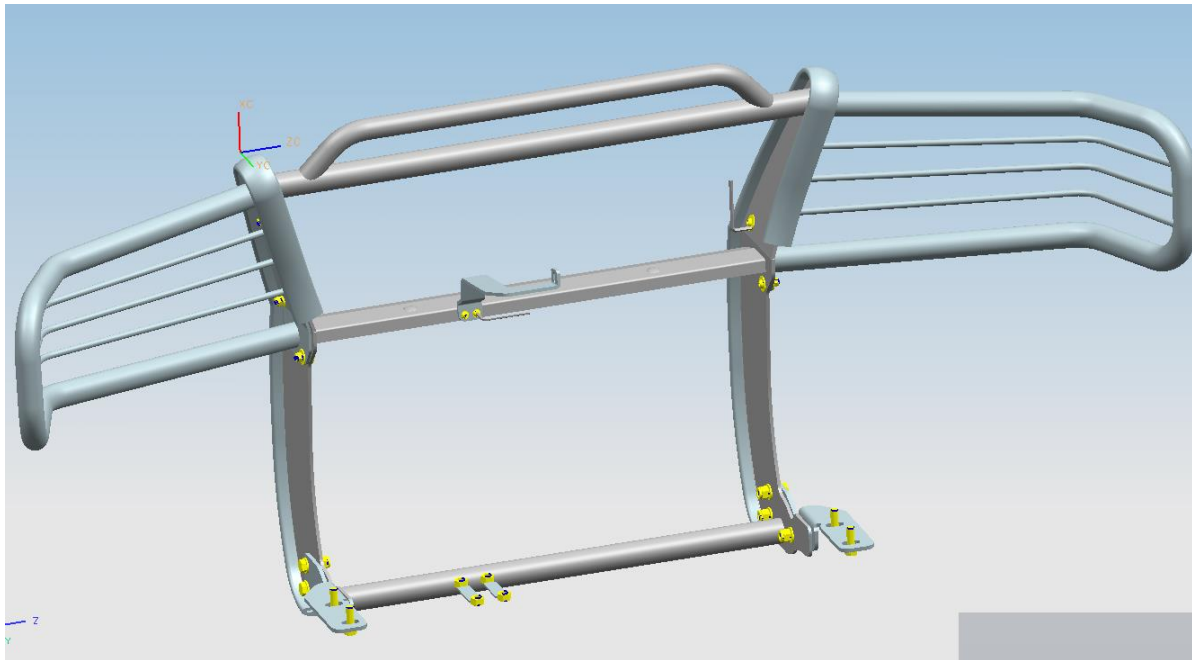
**Fig 4**



**Fig 5**



**Fig 6**



Parts List for Right/Left Brush Guard:

①	Nut M8	6
②	Spring Washer D8 (8x24x2mm)	12
③	Button Head Bolt M8__25	6
④	Wrench S=5	1

