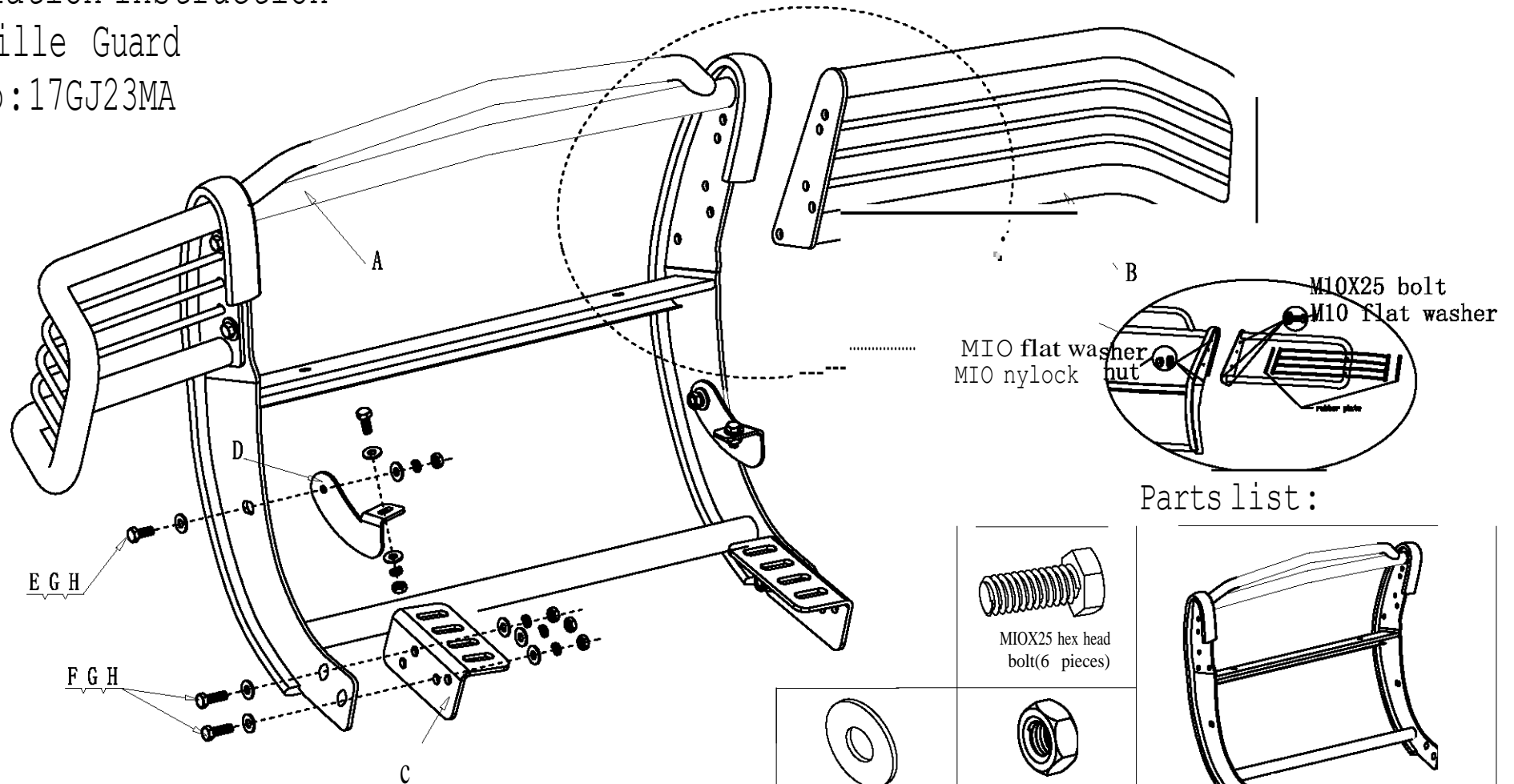


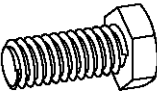
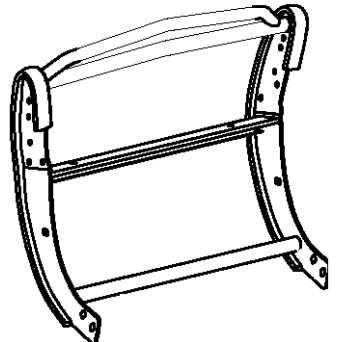


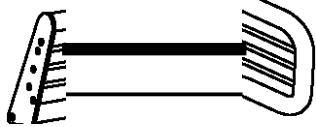

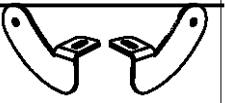
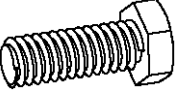
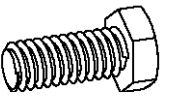


# Installation Instruction

Name: Grille Guard

Item No: 17GJ23MA



## Parts list:

 M10X25 hex head bolt(6 pieces)	 (1)grille guard (! piece)
 M10 flat washer (12 pieces)	 M10 nylock nut (6 pieces)
 @light guard (2 pieces-lateral symmetry)	 @ount bracket (2 pieces-lateral symmetry)
 (1)support bracket (2 pieces-lateral symmetry)	
 @!x2j hex head bolt (4 pieces)	 @XI hex head bolt(6 pieces)
 @! flat washer (20 pieces)	 @inylock nut (10 pieces)

## INSTALLATION STEPS:

STEP 1. Check the parts in the box carefully if match above list .

STEP 2. Pls prepare the tools for installation, follow as: 12-14wrench, 14-17wrench, 17-19wrench.

STEP 3 Connect the grille guard A) and light guard B) with M10X25 hex head bolt, then tighten it.

STEP 4. Connect the mount bracket C) and the girder of the car with original bolt, then tighten it.

STEP 5. Connect the support bracket D) and the girder of the car with bolt E), then tighten it.

STEP 6. Install the grille guard A) on the mount bracket C) and tighten it with bolt F).

STEP 7. Install the grille guard A) on support bracket D) and tighten it with bolt E).