

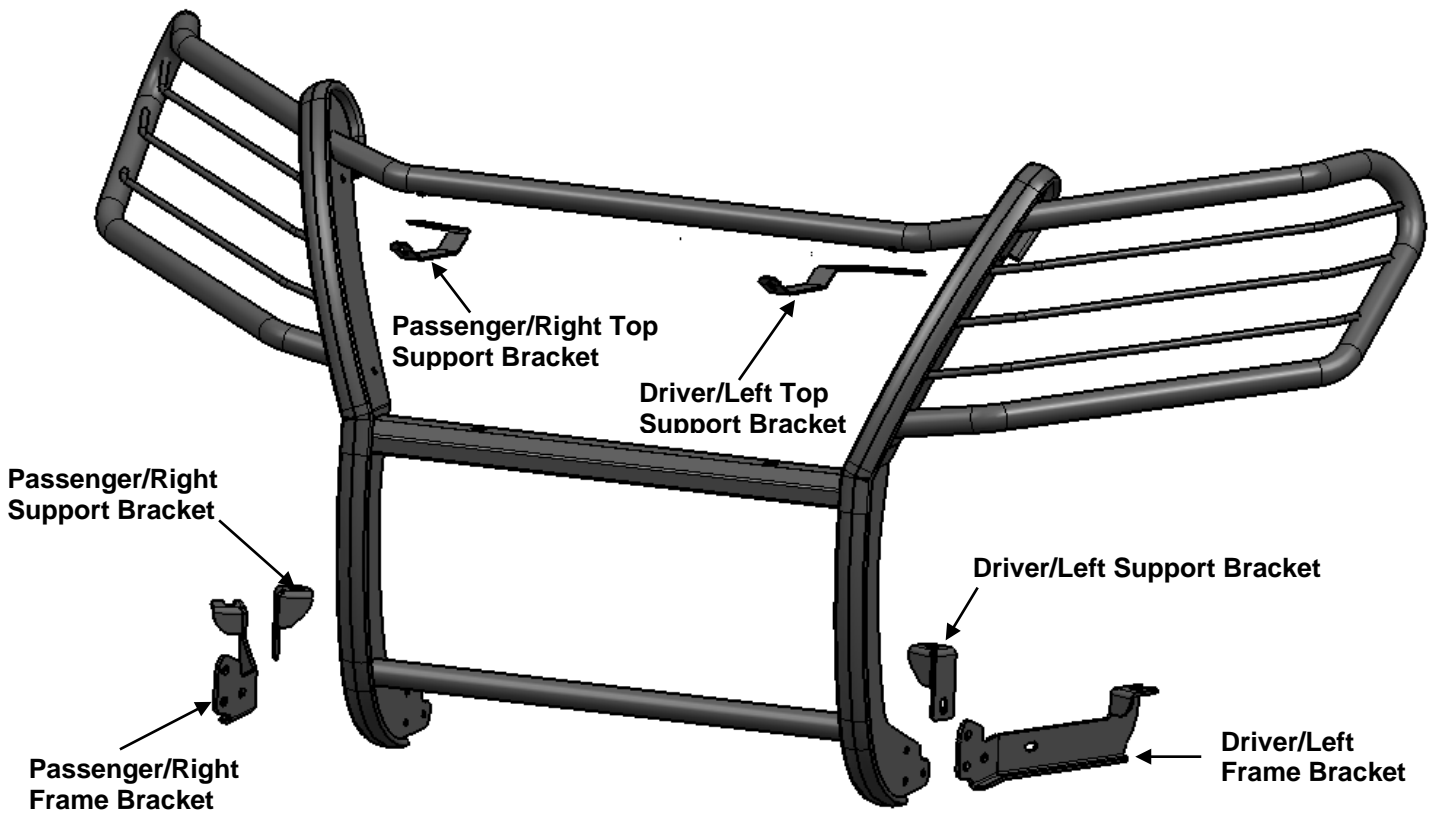


INSTALLATION INSTRUCTIONS
BLACK MODULAR GRILLE GUARD FOR HONDA RIDGELINE 2017-
2020
PART #17H01MA

BLACK MODULAR GRILLE GUARD FOR HONDA RIDGELINE 2017-2019

PARTS LIST:

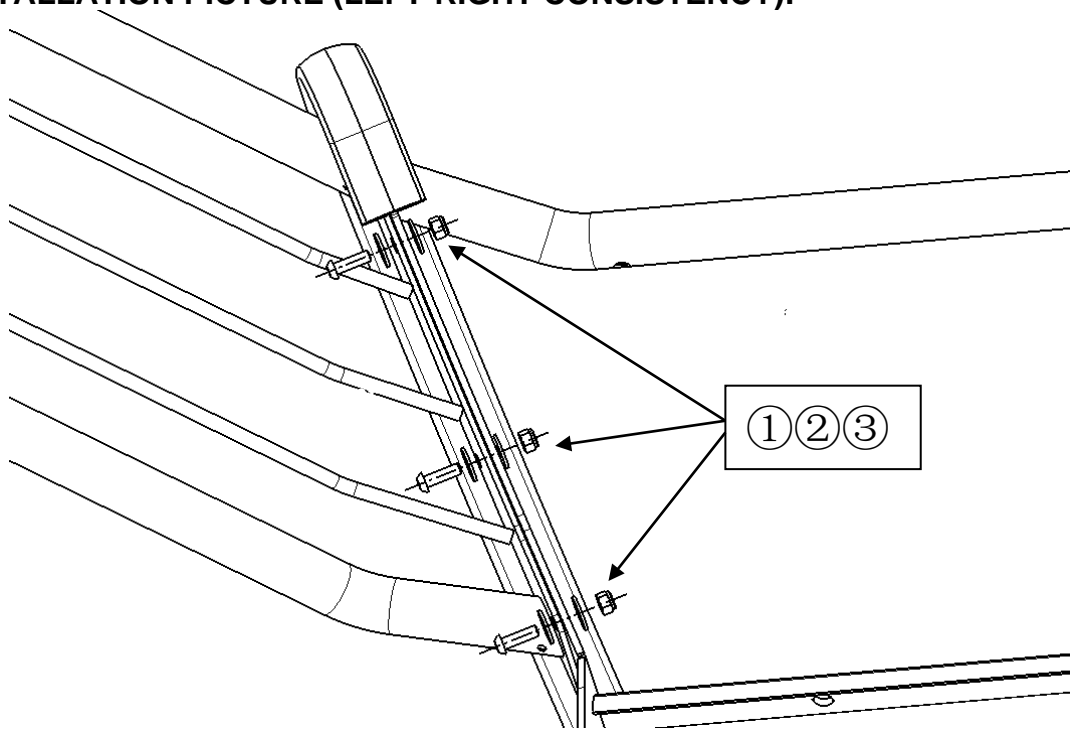
1	Grille Guard	8	10mm Lock Washers
1	Driver/Left Frame Bracket	8	10mm Hex Nuts
1	Passenger/Right Frame Bracket	8	Hex socket button head bolt M8_25
1	Driver/Left Bottom Support Bracket	14	8mm x 24mm OD x 2mm Flat Washers
1	Passenger/Right Bottom Support Bracket	2	8mm Lock Washers
1	Driver/Left Top Support Bracket	6	Type 1 hex lock nut M8 with non-metallic insert
1	Passenger/Right Top Support Bracket	4	6-1.0mm x 25mm Hex Bolt
8	10-1.5mm x 30mm Hex Bolts	8	6mm x 22mm x 2mm Flat Washer
16	10mm x 27mm OD x 3mm Flat Washers	4	6mm Lock Washer
1	Wrench		



WINGS PARTS LIST:

①	Type 1 hex lock nut M8 with non-metallic insert	6
②	Flat Washer D8 (8x24x2mm)	12
③	Hex socket button head bolt M8_25	6
④	Allen Wrench S=5	1

BLACK MODULAR GRILLE GUARD FOR HONDA RIDGELINE 2017-2019
WINGS INSTALLATION PICTURE (LEFT-RIGHT CONSISTENCY):



PROCEDURE:

REMOVE CONTENTS FROM BOX. VERIFY ALL PARTS ARE PRESENT. READ THE INSTRUCTIONS CAREFULLY. ASSISTANCE IS RECOMMENDED. CUTTING IS REQUIRED. |

1. Start installation under the front bumper. Carefully remove the large center plastic splash guard under the bumper, **(Figure 1)**. **NOTE:** There may be several two-piece push-in clips holding the splash guard up to the vehicle. Pry the center pin of the clip up with a small flat blade screwdriver and remove the entire clip. Pay close attention to the type and location of all factory hardware for reinstallation.
2. Remove the factory hex bolt from the bottom of the cross member, **(Figure 2)**. Select the passenger/right Support Bracket, **(Figure 3)**. Reuse the hex bolt to attach the Support Bracket to the cross member, **(Figure 4)**. Snug but do not fully tighten hex bolt at this time.
3. Next, **loosen but do not remove** the large frame bolt, **(Figure 5)**. Select the passenger/right Frame Bracket. Slide the inner slotted end of the Frame Bracket under the frame bolt, **(Figure 6)**. **IMPORTANT:** Only loosen the frame bolt enough to slide the Bracket under the head of the bolt. **Do not fully loosen or remove the rear frame bolt.** Do not fully tighten hardware at this time.
4. Attach the Support Bracket to the inner side of the Frame Bracket with (1) 10mm x 30mm Hex Bolt, (2) 10mm Flat Washers, (1) 10mm Lock Washer and (1) 10mm Hex Nut, **(Figures 7 & 8)**. Snug but do not fully tighten hardware at this time.
5. Repeat **Steps 2—4** to install the driver/left side Frame and Support Brackets, **(Figure 9)**.
6. Open the hood and remove the cover on top of the radiator, **(Figure 10)**. Remove the (2) factory hex bolts from the passenger/left side of the steel radiator core support, **(Figure 11)**. Place (1) 8mm Flat Washer over the hole in the support bracket to act as a spacer. Place (1) 8mm Flat Washer over the hole in the top of the radiator core support. Select the passenger/left Top Support Bracket, **(Figure 12)**. Attach the Bracket to the top of the core support with (2) 6mm Hex Bolts, (2) 6mm Lock Washers and (2) 6mm Flat Washers, **(Figures 12—14)**. Leave hardware loose at this time.
7. Repeat **Step 6** to attach the driver/left Top Support Bracket, **(Figure 15)**. Leave hardware loose at this time. **NOTE:** Temporarily loosen or remove the air intake to provide clearance to install for driver/right Top Support Bracket. Do not reinstall intake at this time.
8. With assistance, attach the Grille Guard to the inside of the Frame Brackets with the included (6) 10mm x 30mm Hex Bolts, (12) 10mm Flat Washers, (6) 10mm Lock Washers and (6) 10mm Hex Nuts, **(Figures 16 & 17)**. Do not fully tighten hardware at this time.

BLACK MODULAR GRILLE GUARD FOR HONDA RIDGELINE 2017-2019

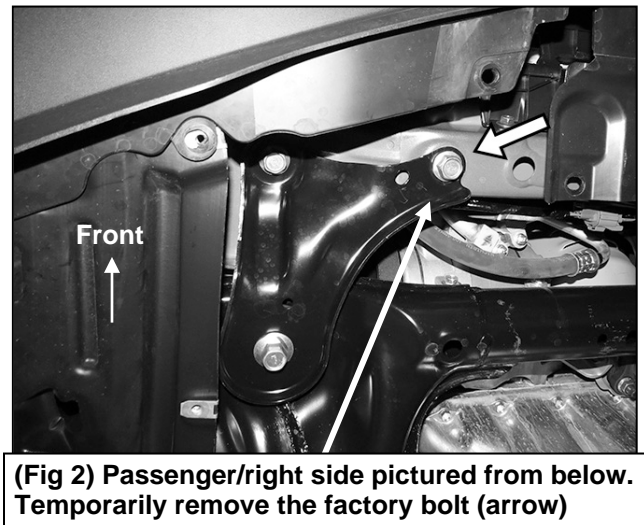
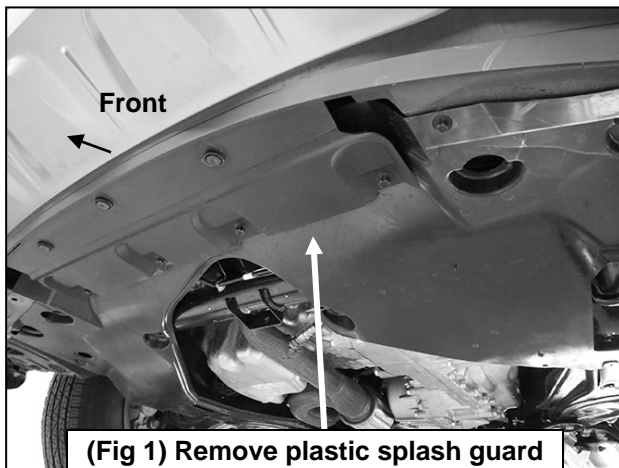
9. Line up the Top Support Brackets with the threaded inserts in the top tube on the Grille Guard. Attach the Support Brackets to the Grille Guard with (2) 8mm Button Head Bolts, (2) 8mm Lock Washers and (2) 8mm Flat Washers, **(Figure 18)**. Do not fully tighten hardware at this time.
10. Once the Grille Guard is fully installed on the vehicle, level and adjust the Grille Guard and tighten only the (2) factory hex bolts attaching the Support Brackets to the bottom of the cross member, **(Figures 2 & 3)**. **IMPORTANT:** Only tighten the Support Bracket to cross member bolts at this time. Remove the Grille Guard and Frame Brackets. **IMPORTANT:** Only loosen the larger frame bolts enough to remove Frame Brackets. **Do not fully loosen or remove the large frame bolts, (Figure 5).**
11. Hold the splash guard up to the original location and mark the location of the Support Brackets onto the cover, **(Figure 19)**. Use a sharp knife or hacksaw blade to cut a slot in the cover to clear the Brackets. Next, cut out the area around the large frame bolt to clear the inner end of the Frame Brackets, **(Figure 19 & 20)**. If necessary, hold the Frame Brackets up to the cover to determine area to cut out of cover, (approximately a 2" x 2" square). Once all cuts have been made and checked for clearance around Brackets, reinstall the splash guard using the factory hardware.
12. Reinstall the Frame Brackets over and through the splash guard. Reattach the Frame Brackets to the Support Brackets. Reinstall the Grille Guard, check it for level, adjust as necessary and fully tighten all hardware.
13. Line up the top plastic cover over the two Top Support Brackets. Mark the location of the Support Brackets onto the cover, **(Figure 21)**. Cut slots to clear the Top Support Brackets. **IMPORTANT:** Slowly close the hood to check for clearance.
14. Do periodic inspections to the installation to make sure that all hardware is secure and tight.

To protect your investment, wax this product after installing. Regular waxing is recommended to add a protective layer over the finish. Do not use any type of polish or wax that may contain abrasives that could damage the finish.

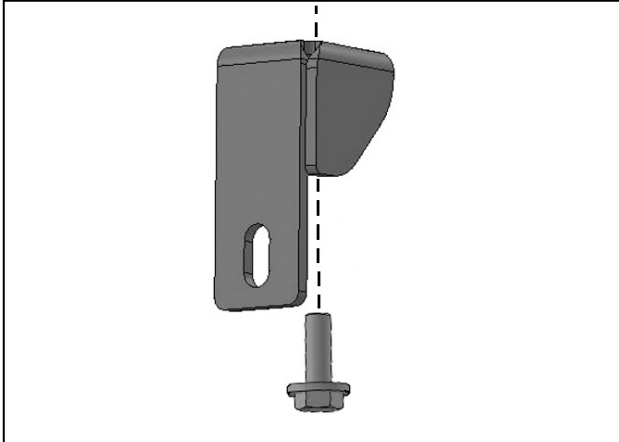
For stainless steel: Aluminum polish may be used to polish small scratches and scuffs on the finish. Mild soap may be used also to clean the Grille Guard.

For gloss black finishes: Mild soap may be used to clean the Grille Guard.

Passenger/right Side Installation Pictured

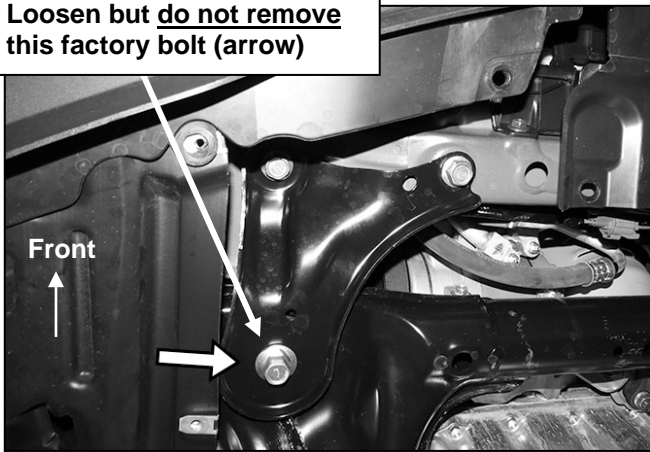


BLACK MODULAR GRILLE GUARD FOR HONDA RIDGELINE 2017-2019
 Passenger/right Side Installation Pictured



(Fig 3) Reuse factory hex bolt to attach passenger/right Support Bracket to cross member

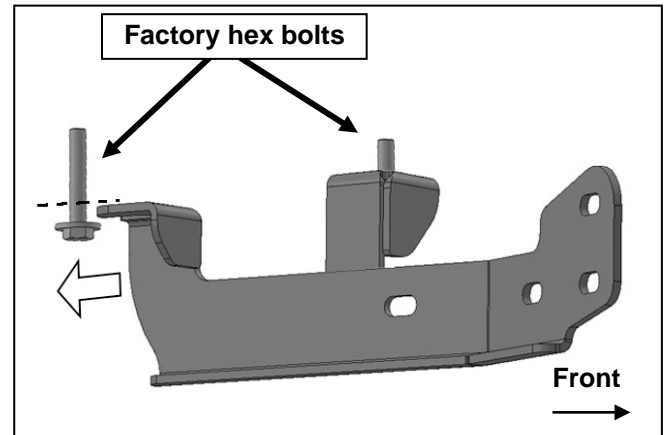
Loosen but do not remove this factory bolt (arrow)



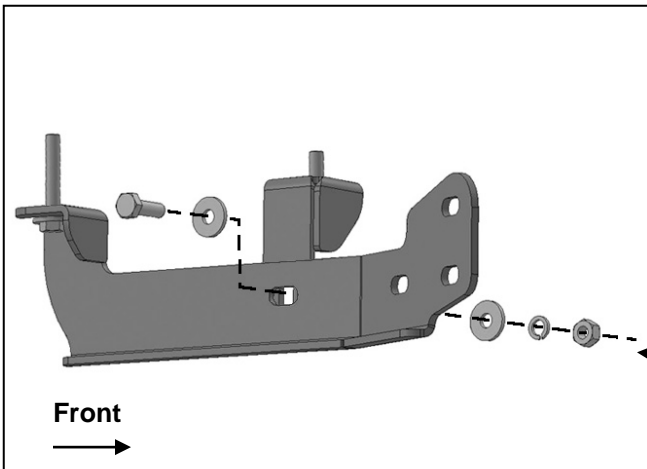
(Fig 5) Passenger/right side pictured from below. Temporarily loosen the factory bolt (arrow)



(Fig 4) Reuse factory hex bolt to attach passenger/right Support Bracket to cross member

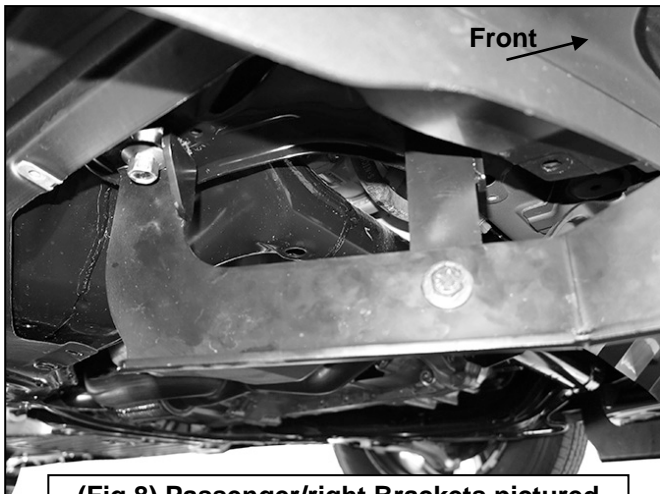


(Fig 6) Loosen rear bolt only enough to slide Frame Bracket under head of bolt (arrow)

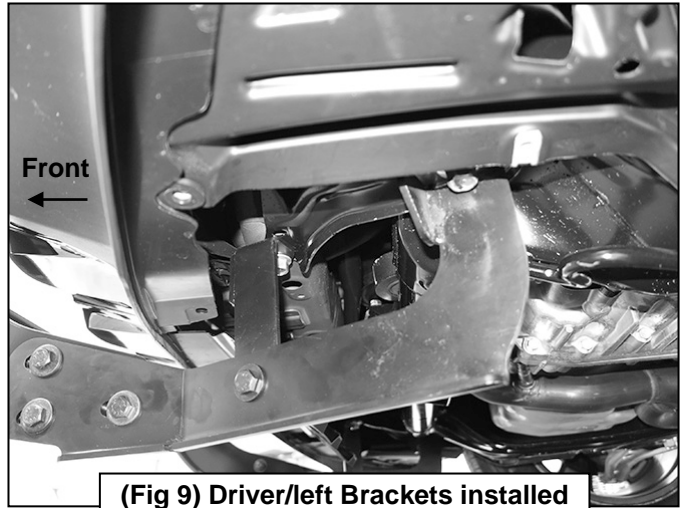


(Fig 7) Attach Frame Bracket to Support Bracket

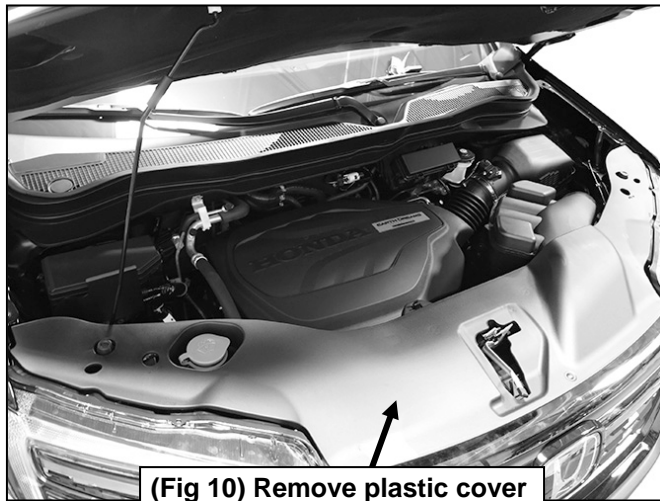
- 10mm x 30mm Hex Bolt
- (2) 10mm Flat Washers
- 10mm Lock Washer
- 10mm Hex Nut



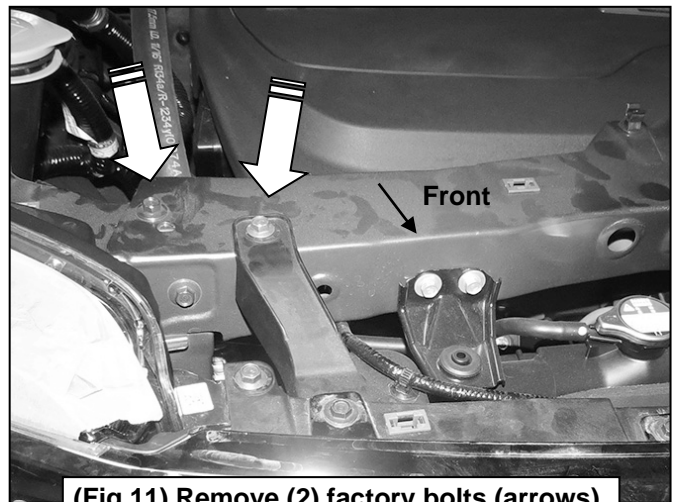
(Fig 8) Passenger/right Brackets pictured



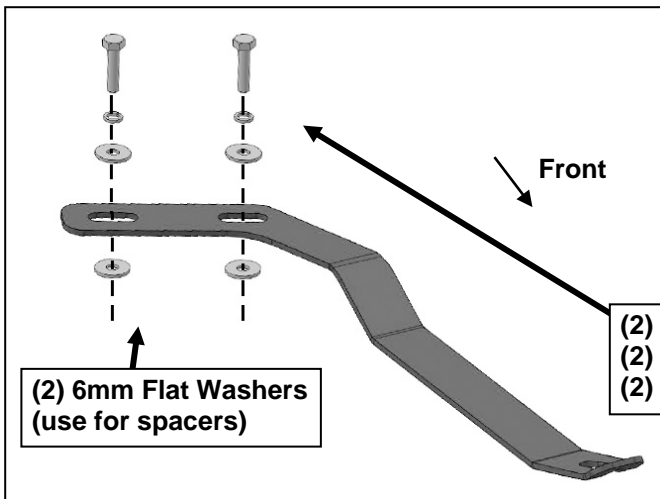
(Fig 9) Driver/left Brackets installed



(Fig 10) Remove plastic cover



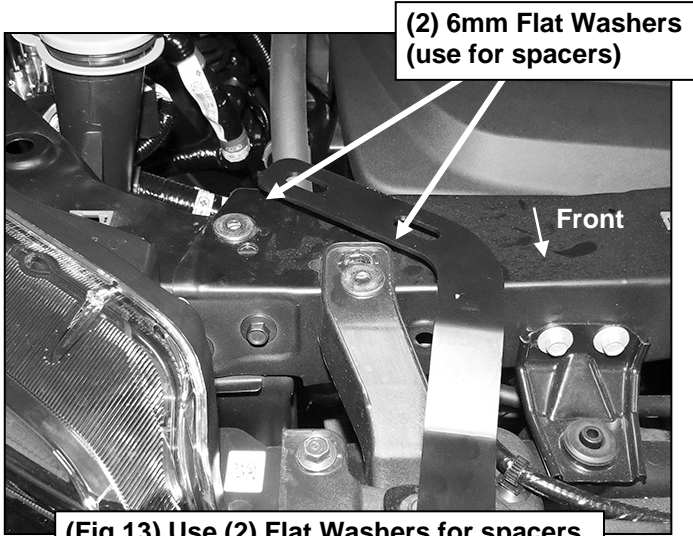
(Fig 11) Remove (2) factory bolts (arrows)



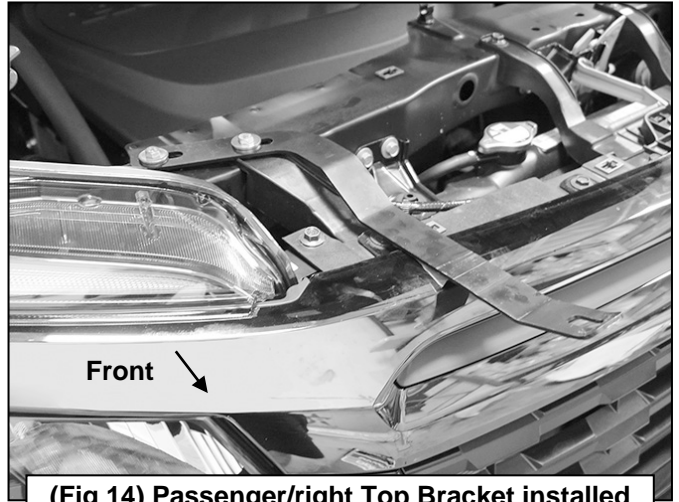
- (2) 6mm x 25mm Hex Bolts
- (2) 6mm Lock Washers
- (2) 6mm Flat Washers

(Fig 12) Attach passenger/right Top Support Bracket to threaded holes in top of radiator core support. Use (2) Flat Washers for spacers

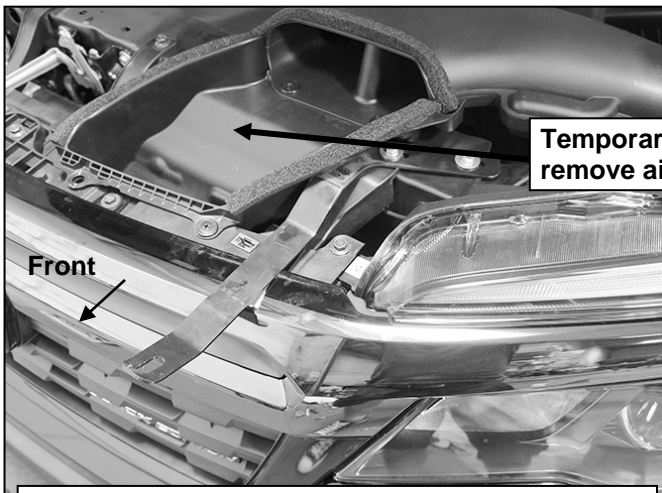
BLACK MODULAR GRILLE GUARD FOR HONDA RIDGELINE 2017-2019



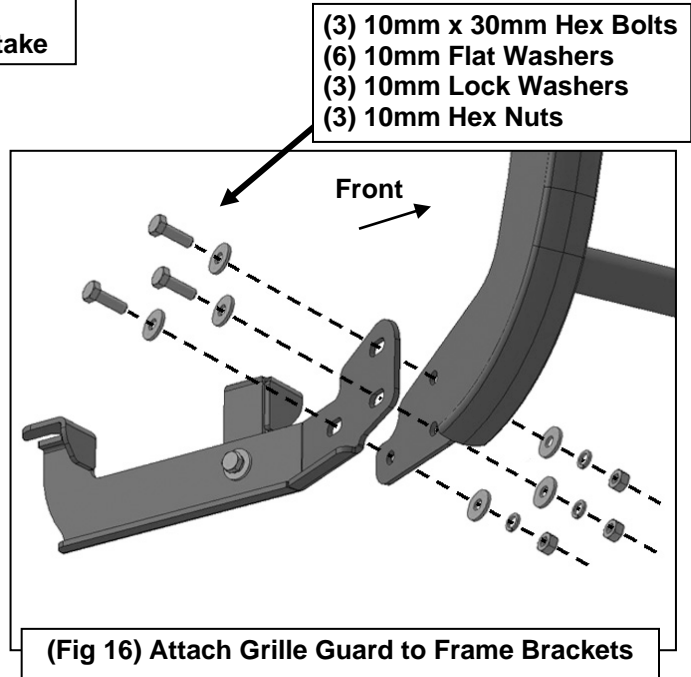
(Fig 13) Use (2) Flat Washers for spacers



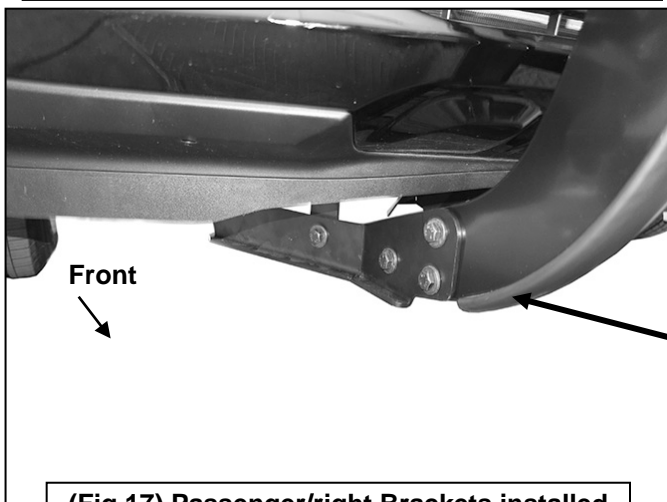
(Fig 14) Passenger/right Top Bracket installed



(Fig 15) driver/left Top Support Bracket. NOTE: Temporarily remove air intake to install Bracket



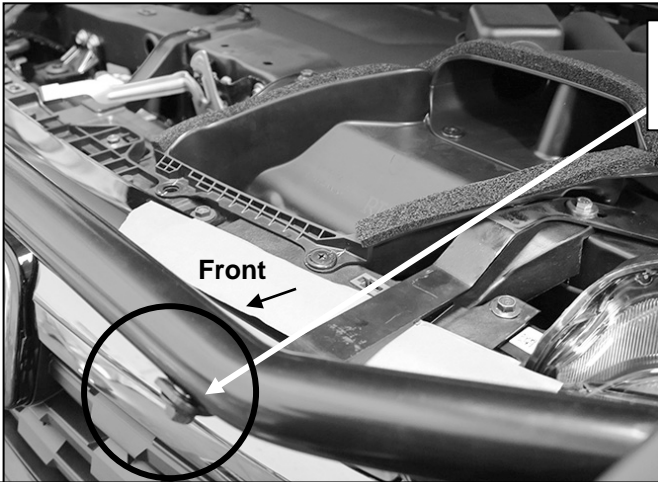
(Fig 16) Attach Grille Guard to Frame Brackets



(Fig 17) Passenger/right Brackets installed

- (3) 10mm x 30mm Hex Bolts
- (6) 10mm Flat Washers
- (3) 10mm Lock Washers
- (3) 10mm Hex Nuts

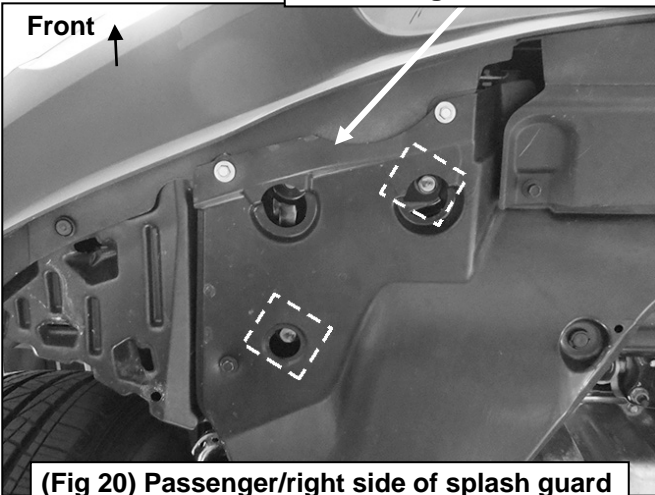
BLACK MODULAR GRILLE GUARD FOR HONDA RIDGELINE 2017-2019



8mm x 25mm Hex Bolt
8mm Lock Washer
8mm Flat Washer

(Fig 18) Attach Top Support Bracket to Grille Guard

Do not cut through the front
or back edge of the air dam



(Fig 20) Passenger/right side of splash guard
pictured. Use dashed line as reference only

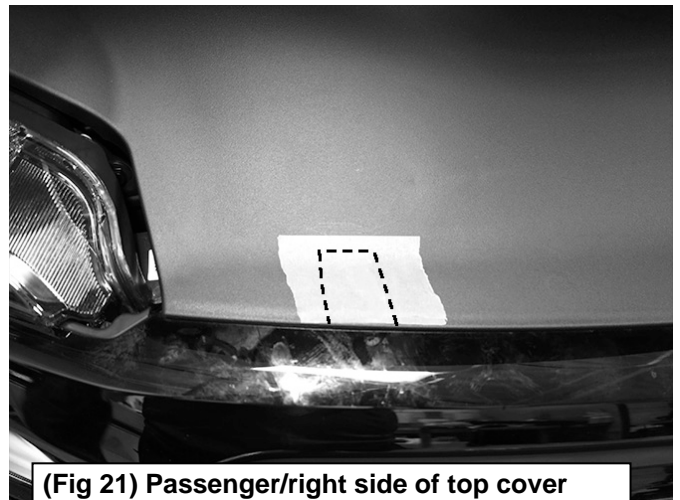


(Fig 19) Hold splash guard up to bottom of
Brackets to determine areas to cut from cover.
(Bottom of splash guard pictured)

Mark the Support Bracket (top) location onto the
bottom of the splash guard. Temporarily remove
the Grille Guard and Frame Brackets only. Do not
remove Lower Support Brackets. Cut openings for
Frame Brackets and Support Brackets. Reinstall
splash guard, trim for clearance if necessary.
Reinstall Frame Brackets and Grille Guard



Complete Installation



(Fig 21) Passenger/right side of top cover
pictured. Use dashed line as reference only