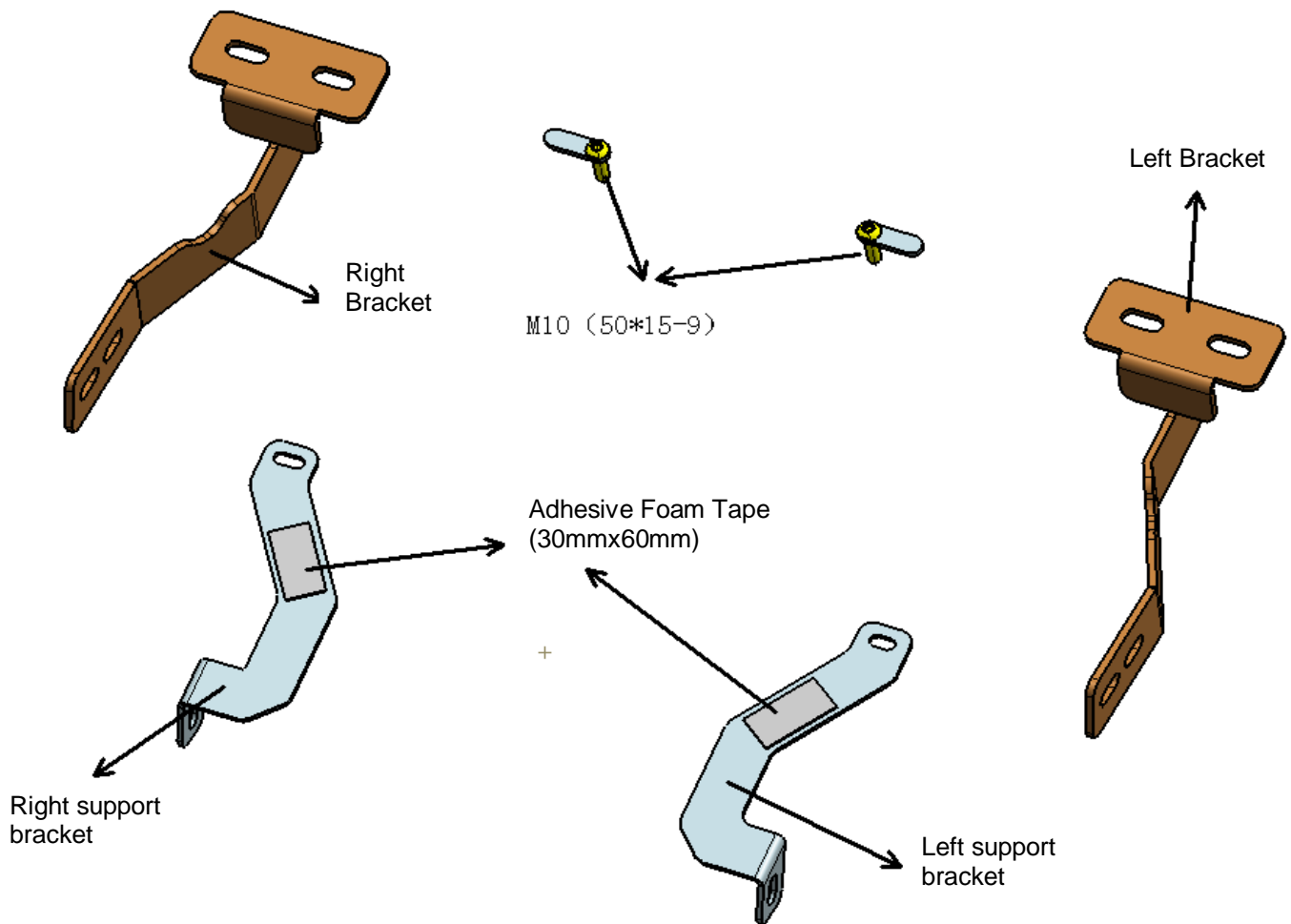




INSTALLATION INSTRUCTIONS
S/S MODULAR GRILLE GUARD FOR HONDA PILOT 2016-2020
PART # 17H151402MSS

PARTS LIST:

Qty	Description	Qty	Description
1	Front guard	1	Left brush guard
1	Right brush guard	1	Left bracket
1	Right bracket	1	Left support bracket
1	Right Support bracket	4	Adhesive Foam Tape (30mmx60mm)
8	Flat washer D8 (8x24x2mm)	2	T type bolt M10 (50*15-9)
4	Button Head Bolt M8_25	4	Spring washer D12
4	Type 1 non-metallic insert hex lock nut M8	2	Button Head Bolt M10_35
1	Allen wrench S=6	1	Allen wrench S=5
4	Type 1 non-metallic insert hex lock nut M12	4	Hex nut M10
8	Flat washer D12(12x24x2.5mm)	6	Flat washer D10(10x30x2.5mm)
4	Hex bolt M12_40		

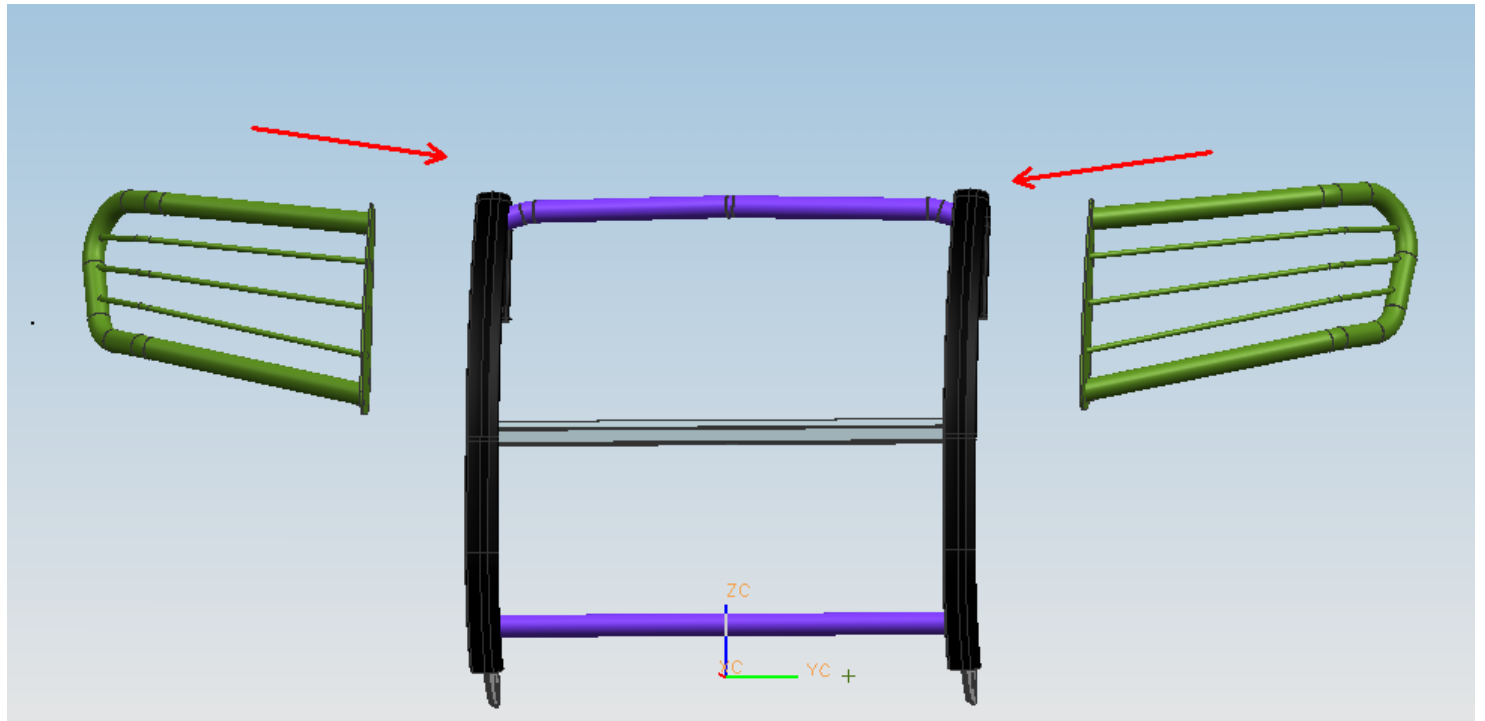
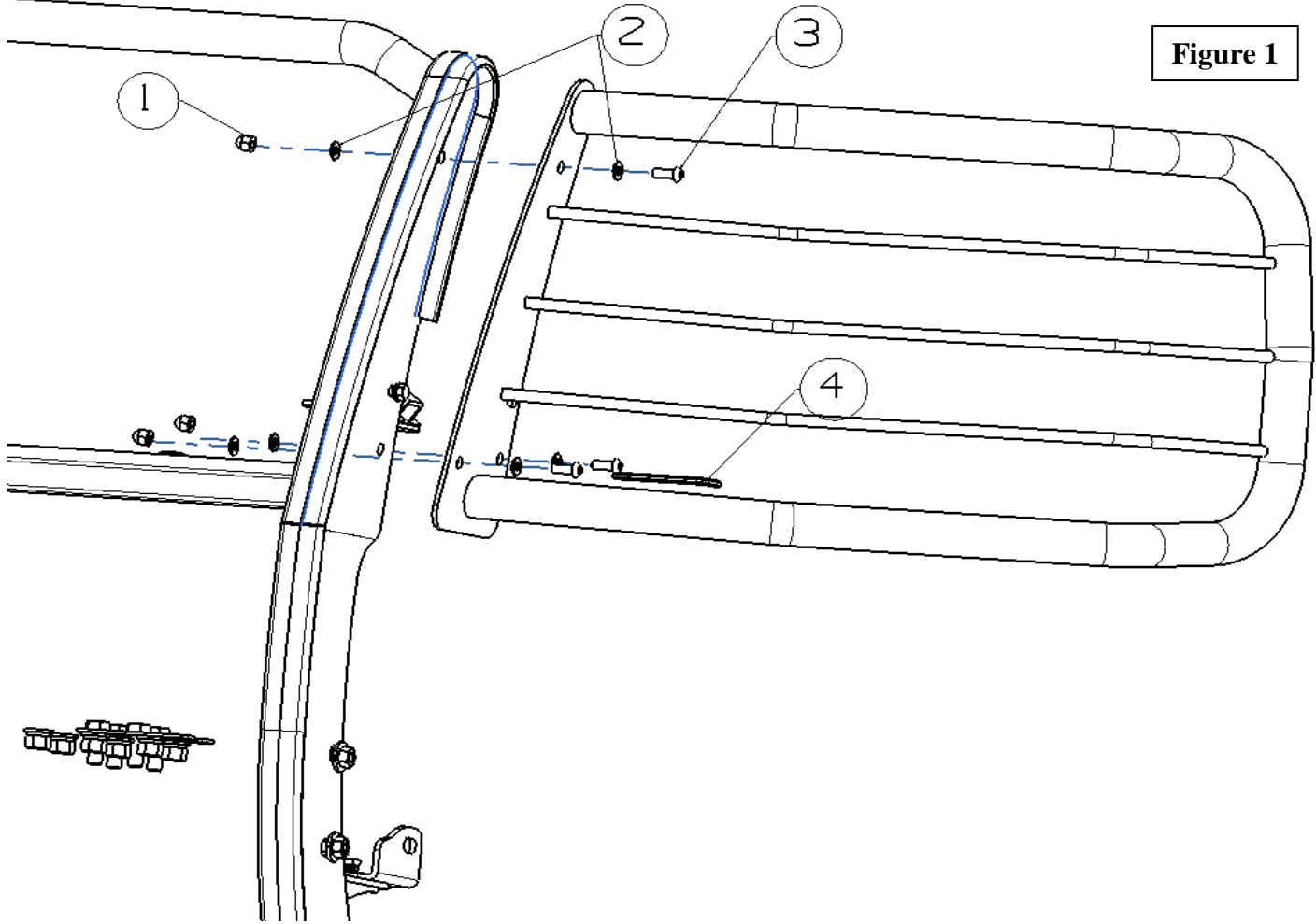


Step1: LEFT AND RIGHT BRUSH GUARDS INSTALLATION.

PART LISTS:

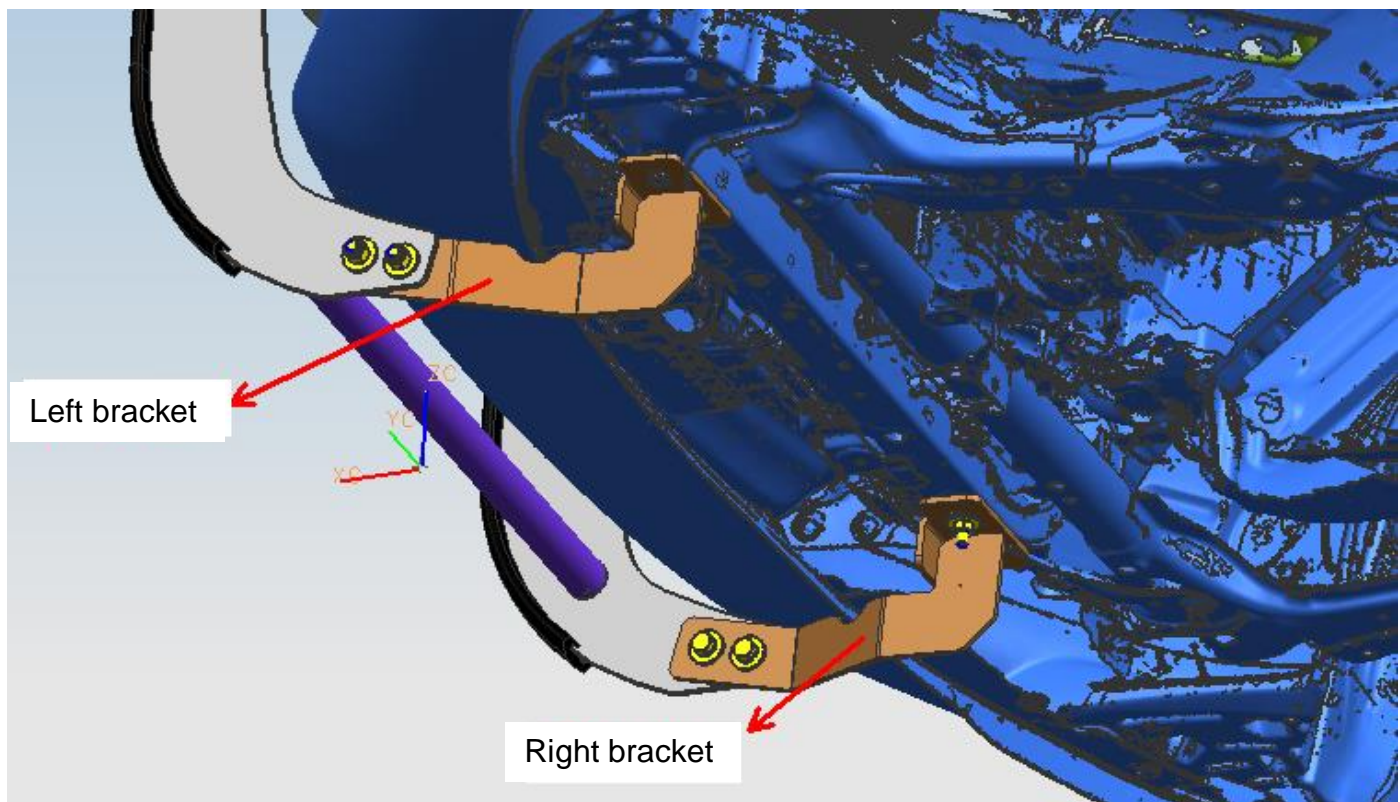
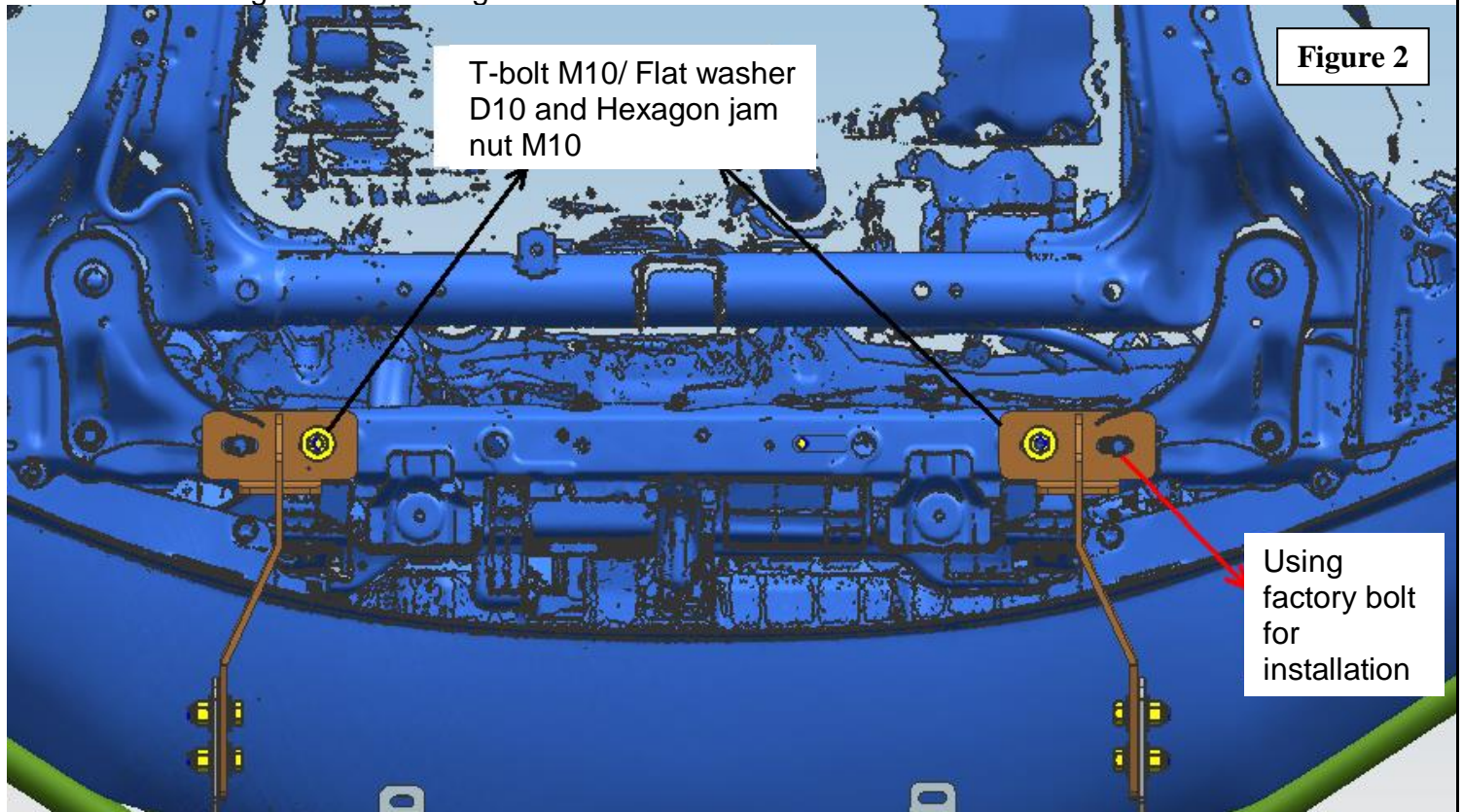
①	Type 1 non-metallic insert hex lock nut M8	4
②	Flat washer D8	8
③	Hex bolt M8_25	4
④	Allen wrench S=5	1

Install left and right brush guards on the front guard as figure 1. Tighten all the bolts.

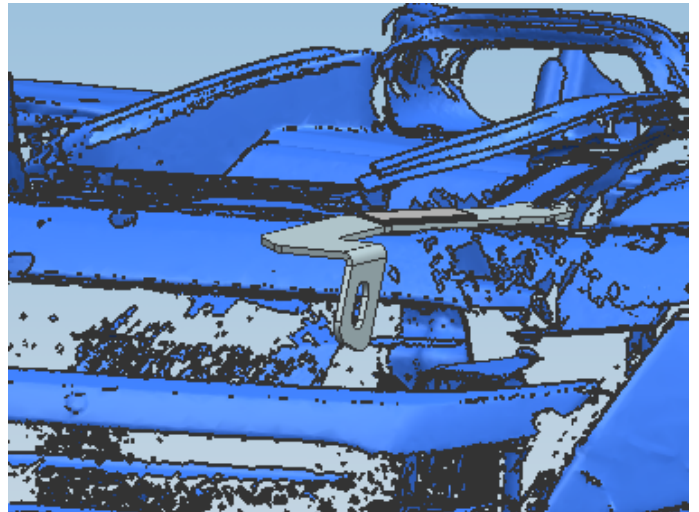
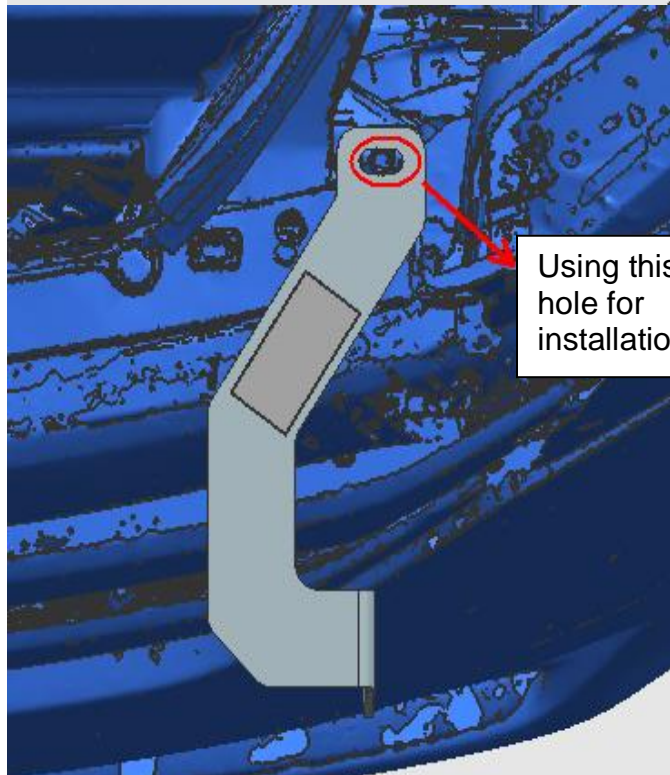
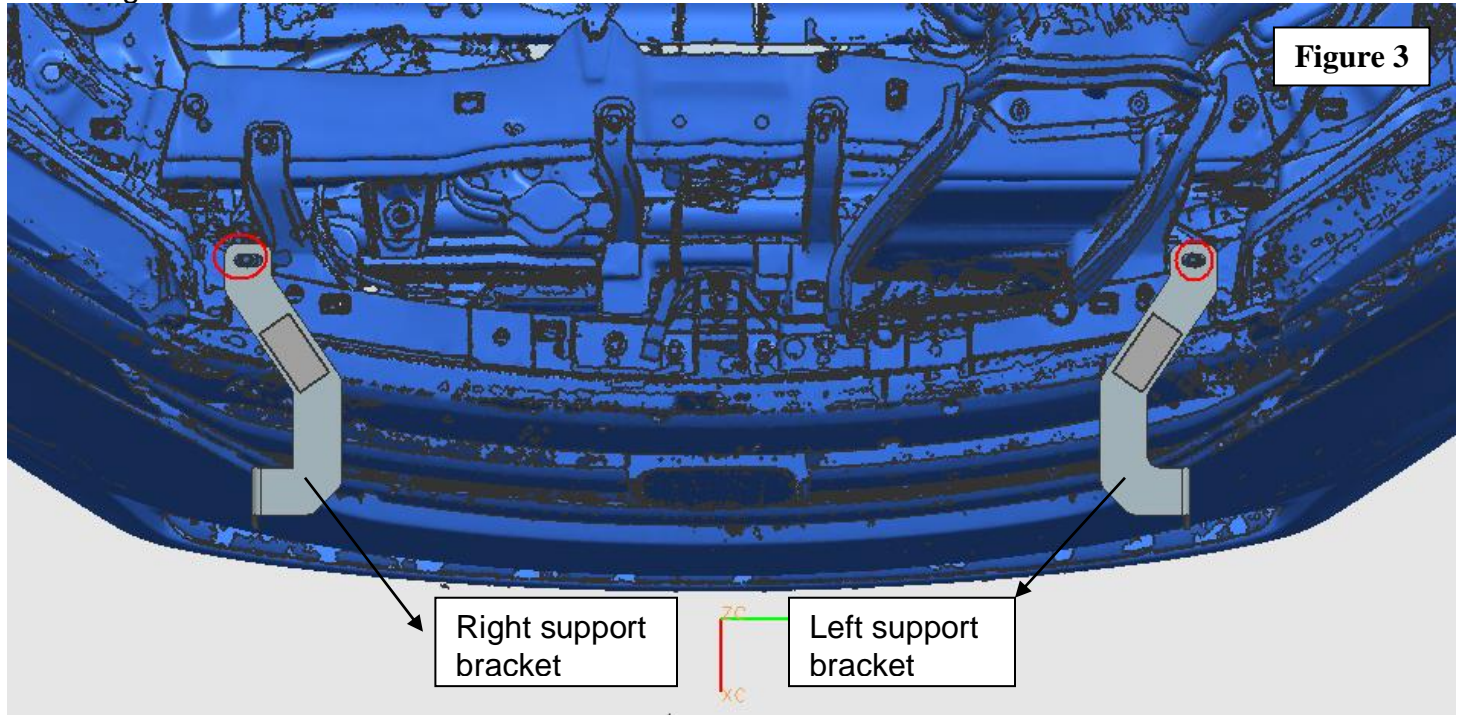


Step 2: BRACKETS INSTALLATION.

A. Remove the bottom fender guard; install left and right brackets with T-bolt M10/ Flat washer D10 and Hex nut M10 as figure 2. Do not tighten all the bolts.



B. Open the engine cover, install left and right support brackets with factory bolts as figure 3. Snug but do not tighten hardware.



C. Test and make sure that the guard is steadily fixed, and then tighten all the hardware. Installation is finished.

