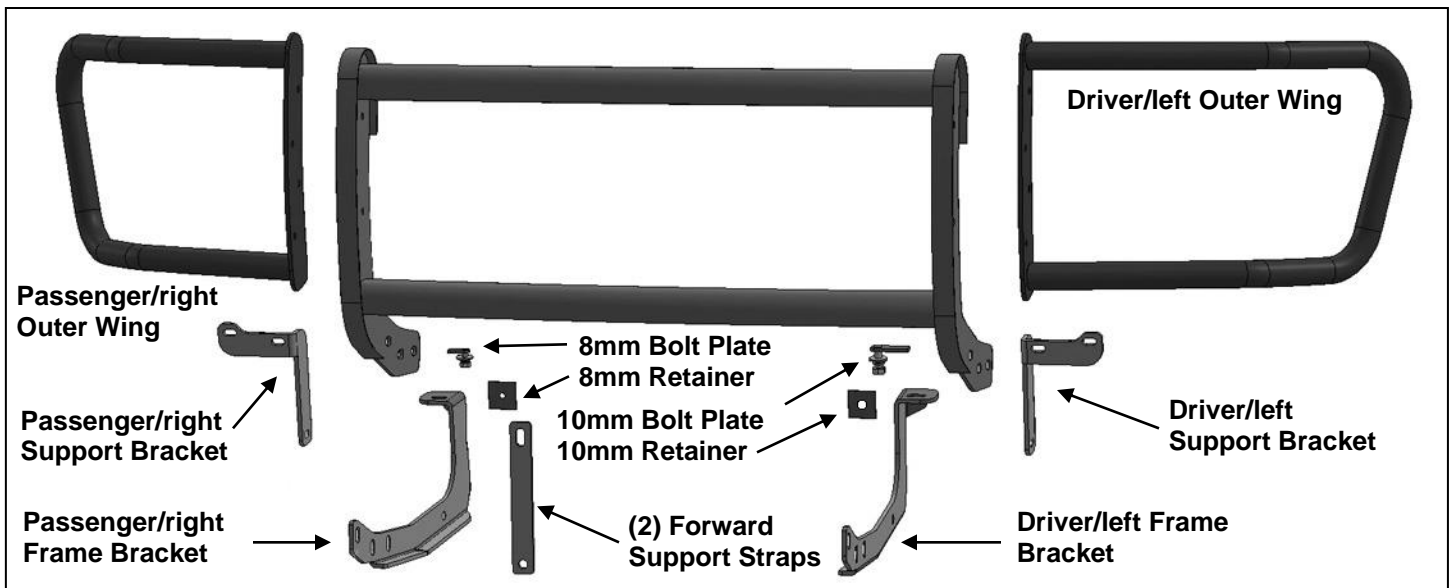




INSTALLATION INSTRUCTIONS
FRONT RUNNER GRILLE GUARD
FOR MERCEDES-BENZ METRIS CARGO VAN 2016-2020
PART # 17MBMEMA

PARTS LIST:

1	Front Runner Grille Guard (Center Section)	6	12mm Hex Nuts
1	Driver/Left Outer Wing	2	10-1.50mm x 80mm Hex Bolts
1	Passenger/Right Outer Wing	5	10mm x 24mm OD x 2.2mm Flat Washers
1	Driver/Left Frame Mounting Bracket	3	10mm Lock Washers
1	Passenger/Right Frame Mounting Bracket	3	10mm Hex Nuts
1	Driver/Left Support Bracket	14	8-1.25mm x 30mm Hex Bolts
1	Passenger/Right Support Bracket	29	8mm x 24mm OD x 2mm Flat Washers
2	Forward Support Straps	7	8mm Lock Washers
1	10mm Bolt Plate	8	8mm Nylon Lock Nuts
1	8mm x 25mm Bolt Plate	7	8mm Hex Nuts
6	12-1.75mm x 35mm Hex Bolts	1	10mm Plastic Retainer
12	12mm x 32mm OD x 3mm Flat Washers	1	8mm Plastic Retainer
6	12mm Lock Washers		



PROCEDURE:

- 1. REMOVE CONTENTS FROM BOX. VERIFY ALL PARTS ARE PRESENT. READ INSTRUCTIONS CAREFULLY BEFORE STARTING INSTALLATION. ASSISTANCE IS RECOMMENDED. CUTTING IS REQUIRED.**
- Start installation under the front of the vehicle and remove the large plastic splash guard from under the engine. Also remove the smaller splash guard under the front bumper, **(Figure 1)**. Pay close attention to the type and location of all mounting hardware for reinstallation.
- Move to the passenger/right side of the vehicle and locate the factory hole in the bottom of the frame rail, **(Figure 2)**. Select the smaller 8mm Bolt Plate and 8mm Plastic Retainer. Partially thread the Retainer onto the Bolt Plate. Insert plate end of the Bolt Plate into the round hole in the frame rail and thread the Retainer down to hold Bolt Plate in place, **(Figure 3)**. **NOTE:** The Plastic Retainer is designed to provide a little help to hold the Bolt Plate in place but is not absolutely necessary for Bracket installation.
- Next select the passenger side Frame Bracket. Attach the Bracket to the Bolt Plate with (1) 8mm Flat Washer, (1) 8mm Lock Washer and (1) 8mm Hex Nut, **(Figure 3)**. Do not tighten hardware at this time.

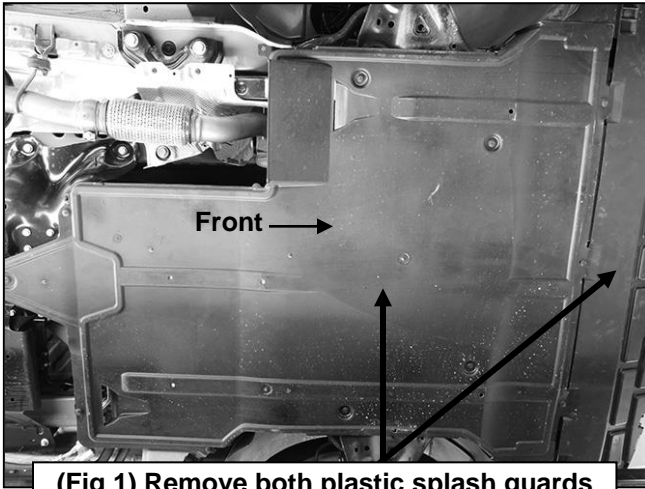
5. Locate and remove the (2) hex bolts attaching the bottom of the bumper bracket to the end of the frame rail, **(Figure 4)**. Select the passenger/right Support Bracket, **(Figure 5)**. Attach the Bracket to the back of the flange on the frame rail with (2) 8mm x 30mm Hex Bolts, (4) 8mm x 24mm Flat Washers, (2) 8mm Lock Washers and (2) 8mm Hex Nuts, **(Figures 5 & 6)**. Leave hardware loose. Next, attach the bottom of the Support Bracket to the inside of the Frame Bracket with (1) 8mm Hex Bolt, (2) 8mm Flat Washers, (1) 8mm Lock Washer and (1) 8mm Hex Nut, **(Figures 6 & 7)**. Snug but do not fully tighten hardware at this time.
6. Next, locate the factory hole in the sides of the passenger side bumper bracket, **(Figure 8)**. From the outside, insert (1) 10mm x 80mm Hex Bolt with (1) 10mm Flat Washer into and through the bumper bracket. Select (1) front Support Strap. Attach the end with the round hole to the 10mm Hex Bolt with (1) 10mm Flat Washer, (1) 10mm Lock Washer and (1) 10mm Hex Nut, **(Figures 7—9)**. Line up the lower end with the slot to the outside of the Frame Bracket but do not attach it at this time. Snug but do not tighten hardware at this time.
7. Move to the driver/left mounting location. Repeat **Step 3** to install the larger 10mm Bolt Plate in the oval hole in the bottom of the driver/left side frame rail, **(Figures 10 & 11)**.
8. Repeat **Steps 4—6** to install the driver/left Frame Bracket, Support Bracket and Support Strap, **(Figures 11 & 12)**.
9. Carefully unwrap the center section of the Grille Guard. With assistance, position the Grille Guard up to the outside of the Frame Brackets. Line up the bottom mounting slot in the Support Straps with the outside of the tab on the Grille Guard. Attach the Grille Guard to the Frame Brackets and Support Strap with (6) 12mm x 35mm Hex Bolts, (12) 12mm Flat Washers, (6) 12mm Lock Washers and (6) 12mm Hex Nuts, **(Figures 13 & 14)**. Do not tighten hardware at this time. **NOTE:** Line up lower slotted end of Support Straps with rear mounting holes in the Grille Guard and Frame Brackets. Support Strap will install on outside of Grille Guard mounting tabs, **(Figure 15)**.
10. Select the passenger/right Outer Wing. Attach the Wing to the outside of the Center Section with (4) 8mm x 20mm Hex Bolts, (8) 8mm Flat Washers and (4) 8mm Nylon Lock Nuts, **(Figure 15)**. Fully tighten 8mm Wing to Grille Guard hardware only at this time. Repeat this Step to install the driver/left side Outer Wing.
11. Align the Grille Guard properly with the vehicle and tighten all Frame Bracket to vehicle and Support Strap to vehicle hardware only at this time. Temporarily remove the Grille Guard assembly.
12. Next, with assistance, hold the large splash guard up in position and against the bottom of the Frame Brackets. Mark the location of the Brackets onto the inside of the cover, **(Figure 16)**. Use a hacksaw blade or sharp knife to cut two slots in the cover to clear the Frame and Support Brackets. Make openings as small as possible and check fit often for best results. Also, do not cut through front edge of splash guard. Make sure Bracket to vehicle hardware is tight before reinstalling the splash guard.
13. Hold the smaller front splash guard up to the bottom of the bumper, Support Straps and Frame Brackets. Trace the approximate location of the Support Straps onto the back of the cover, **(Figure 17)**. Cut (2) slots through the cover to clear the Support Straps. Reinstall the front splash guard but leave loose.
14. Reinstall the Grille Guard and fully tighten all hardware. Fully reinstall the front splash guard with the factory hardware.
15. Do periodic inspections to the installation to make sure that all hardware is secure and tight.

To protect your investment, wax this product after installing. Regular waxing is recommended to add a protective layer over the finish. Do not use any type of polish or wax that may contain abrasives that could damage the finish.

For stainless steel: Aluminum polish may be used to polish small scratches and scuffs on the finish. Mild soap may be used also to clean the Grille Guard.

For gloss black finishes: Mild soap may be used to clean the Grille Guard.

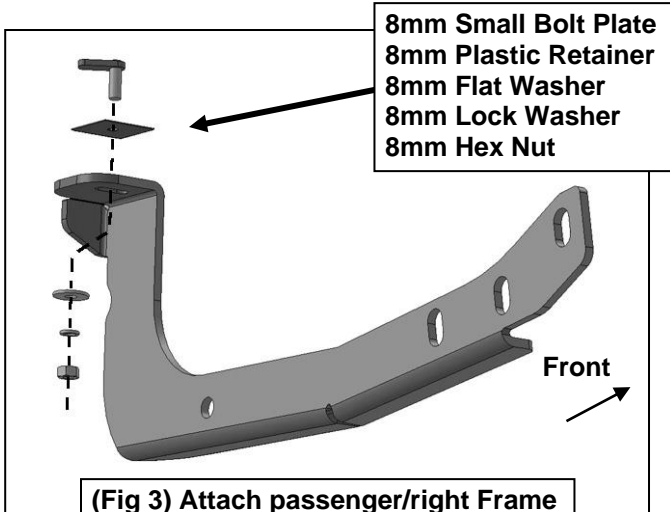
Passenger/right Side Installation Pictured



(Fig 1) Remove both plastic splash guards



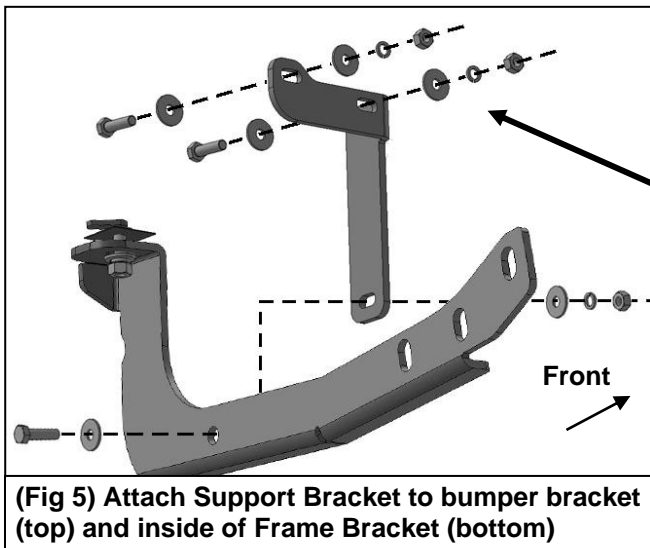
(Fig 2) Locate round hole in bottom of frame (arrow). Insert 8mm Bolt Plate into factory hole in frame rail.



(Fig 3) Attach passenger/right Frame Bracket to the small 8mm Bolt Plate



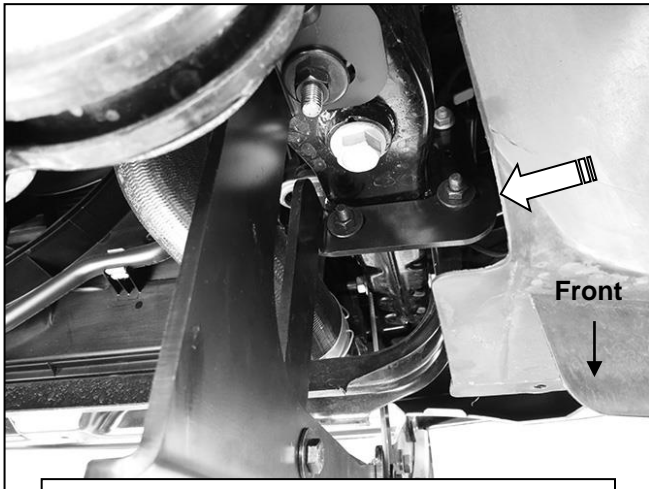
(Fig 4) Remove (2) factory hex bolts from bottom of frame rail/bumper bracket



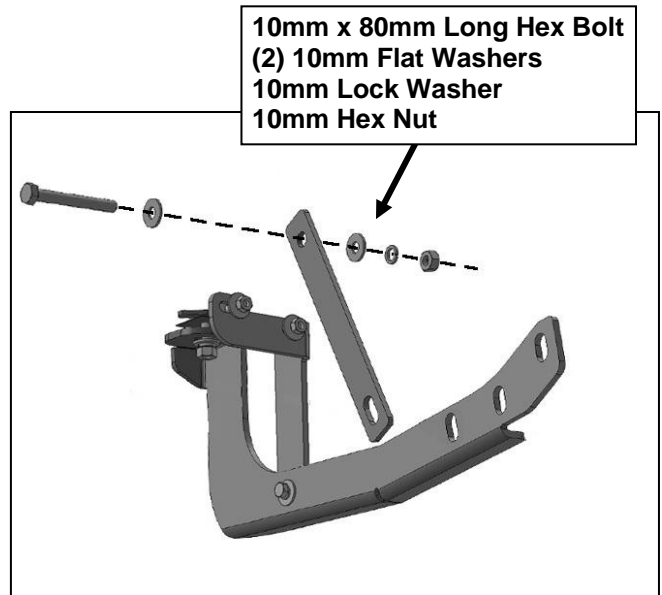
(Fig 5) Attach Support Bracket to bumper bracket (top) and inside of Frame Bracket (bottom)

- (3) 8mm Hex Bolts
- (6) 8mm Flat Washers
- (3) 8mm Lock Washers
- (3) 8mm Hex Nuts

Passenger/right Side Installation Pictured



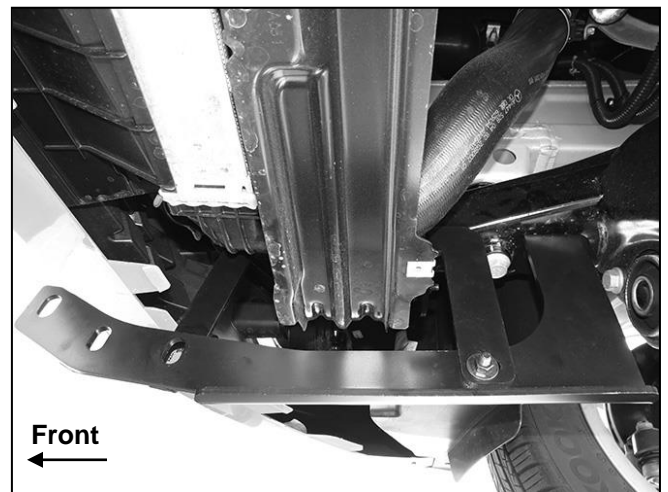
(Fig 6) Attach Support Bracket to back of bumper bracket flange on frame rail (arrow)



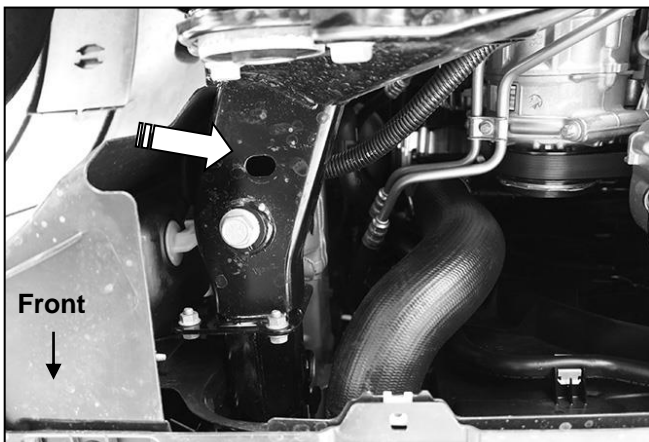
(Fig 7) Attach top of Support Strap to factory holes through bumper bracket



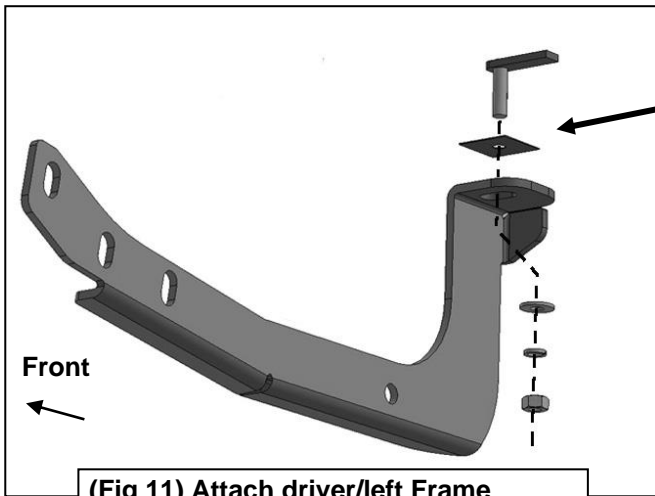
(Fig 8) Passenger/right Support Strap attached to bumper bracket (arrow-pictured from below)



(Fig 9) Passenger/right Brackets installed (pictured from below front bumper)

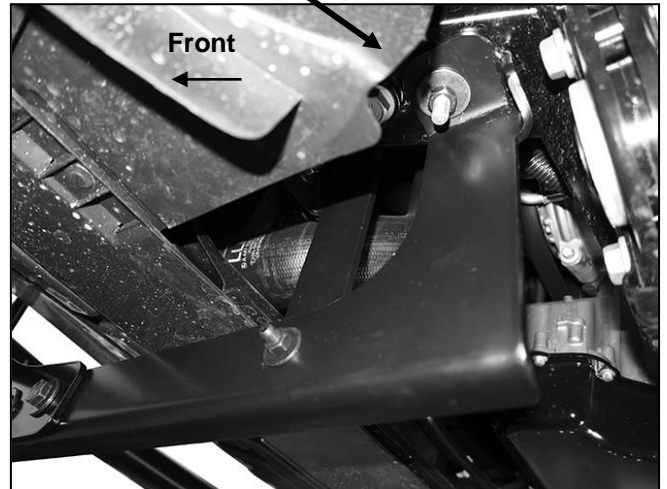


(Fig 10) Locate oval hole in bottom of driver/left frame rail (arrow). Insert 10mm Bolt Plate into factory hole

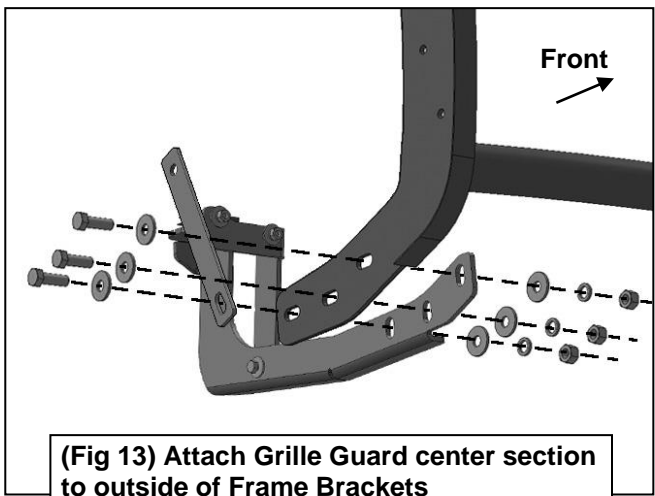


(Fig 11) Attach driver/left Frame Bracket to the larger 10mm Bolt Plate

- 10mm Large Bolt Plate
- 10mm Plastic Retainer
- 10mm Flat Washer
- 10mm Lock Washer
- 10mm Hex Nut

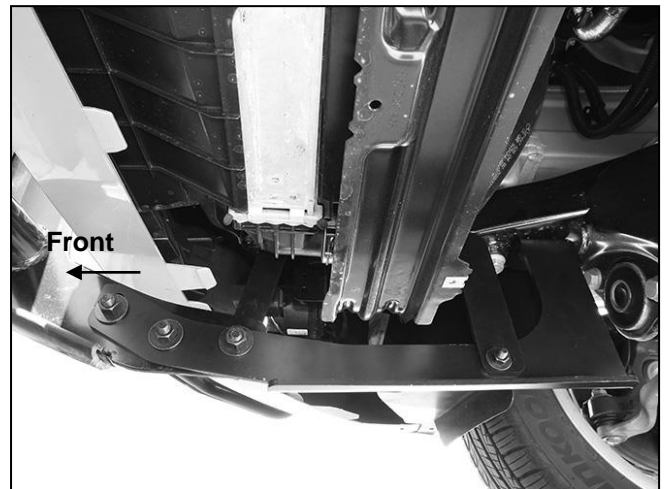


(Fig 12) Driver/left Brackets installed (pictured from below front bumper)

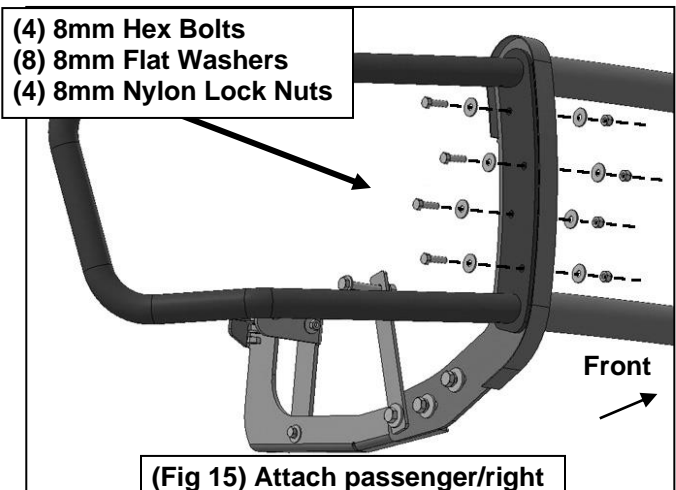


(Fig 13) Attach Grille Guard center section to outside of Frame Brackets (passenger/right installation illustrated)

- (3) 12mm Hex Bolts
- (6) 12mm Flat Washers
- (3) 12mm Lock Washers
- (3) 12mm Hex Nuts



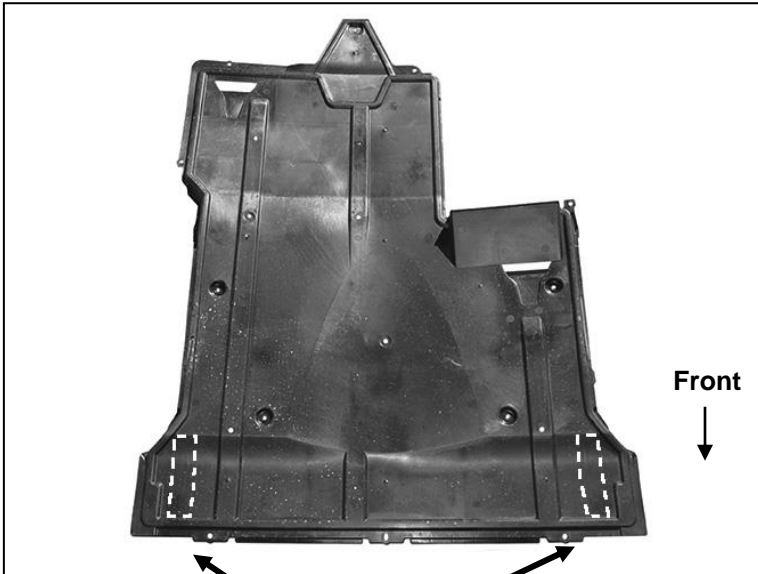
(Fig 14) Complete passenger/right Bracket and Grille Guard installation



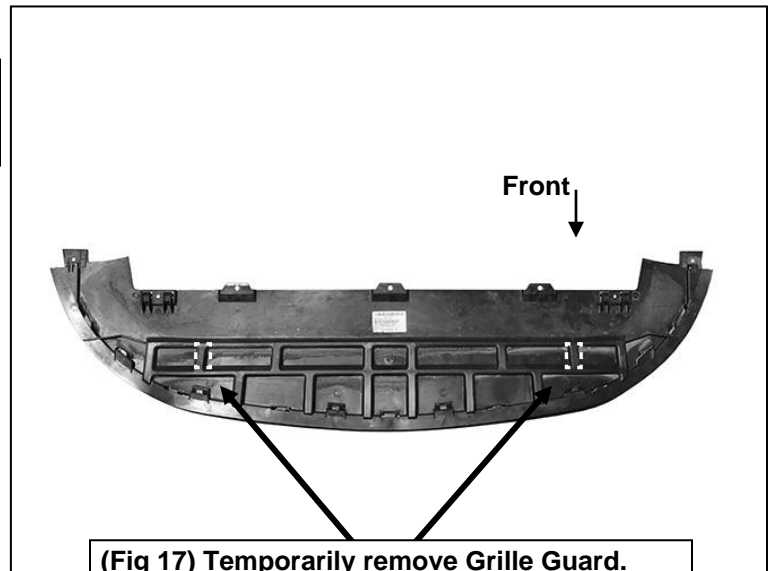
(Fig 15) Attach passenger/right outer wing to Grille Guard

- (4) 8mm Hex Bolts
- (8) 8mm Flat Washers
- (4) 8mm Nylon Lock Nuts

Passenger/right Side Installation Pictured



(Fig 16) Hold splash guard up to bottom of Frame Brackets to determine area to cut for clearance (white dashed lines for example only)



(Fig 17) Temporarily remove Grille Guard. Hold splash guard up to bottom of Support Straps to determine area to cut for clearance (white dashed lines for example only)



