

# **INSTALLATION INSTRUCTION**

**Black Bull Bar with Skid Plate**

**17-21 Honda CRV**

**PART #BB150505A-SP**



**BLACK HORSE  
OFF ROAD**



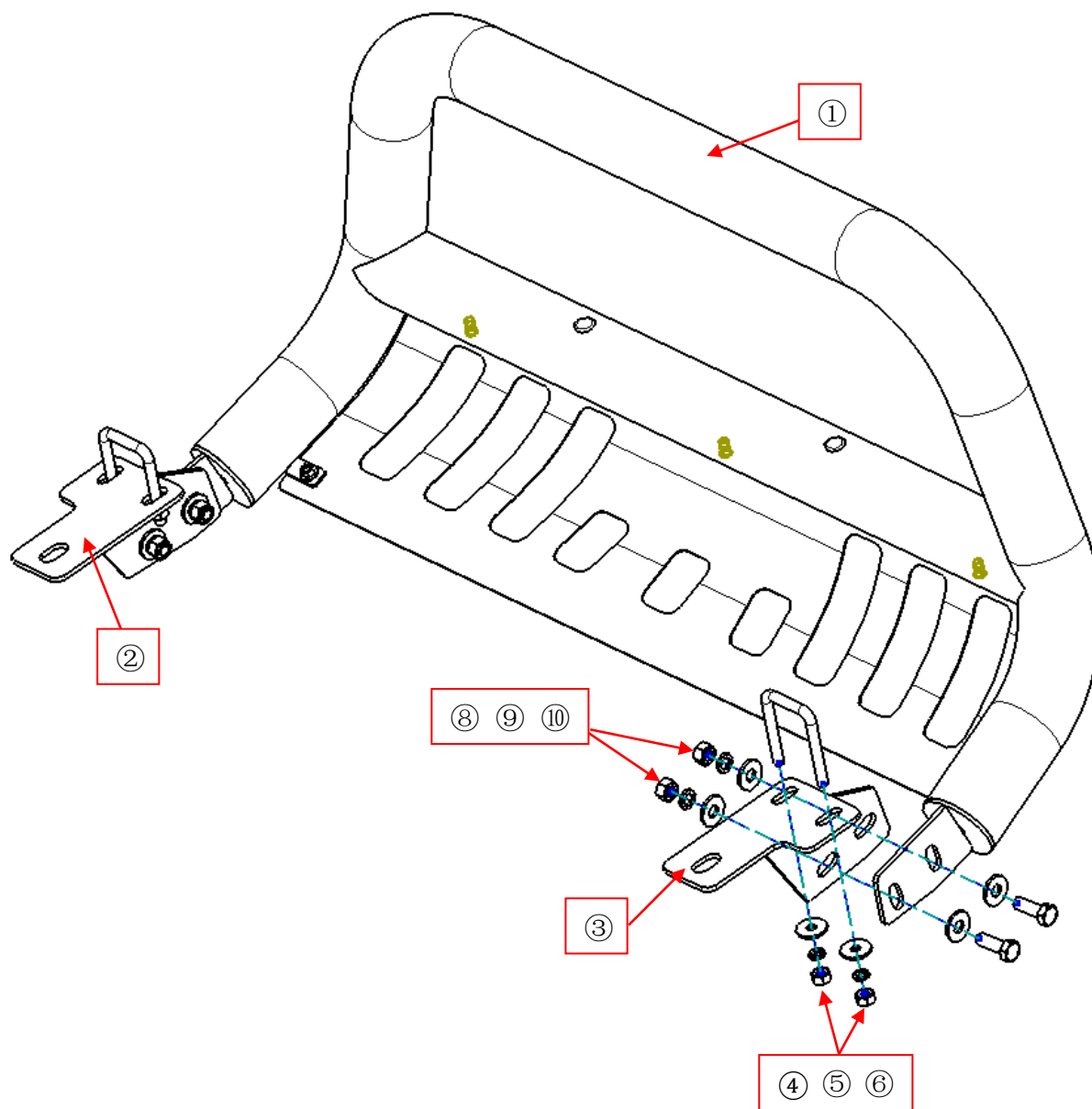
Attention:

- Please read this installation menu before installing this part. Protect your car properly in case there is any scratch might happen.
- You may need to periodically to re-tighten all hardware for safety use after installation.
- Installation pictures are only for your reference, there might be some differences between pictures and real parts but no affection for your fitting.

Part List

No.	NAME	QTY	REMARK	No.	NAME	QTY	REMARK
①	BULLBAR	1		⑦	Hexagon nuts	4	M10
②	Brackets (left)	1		⑧	Hexagon bolts	4	M12*35
③	Brackets(right)	1		⑨	Large washer	8	$\phi 12*30*3.0$
④	U-bolts	2	M10*35	⑩	Spring washer	4	$\phi 12$
⑤	Large washer	4	$\phi 10*30*2.5$	⑪	Hexagon nuts	4	M12
⑥	Spring washer	4	$\phi 10$				

**INSTALLATION PICTURE**

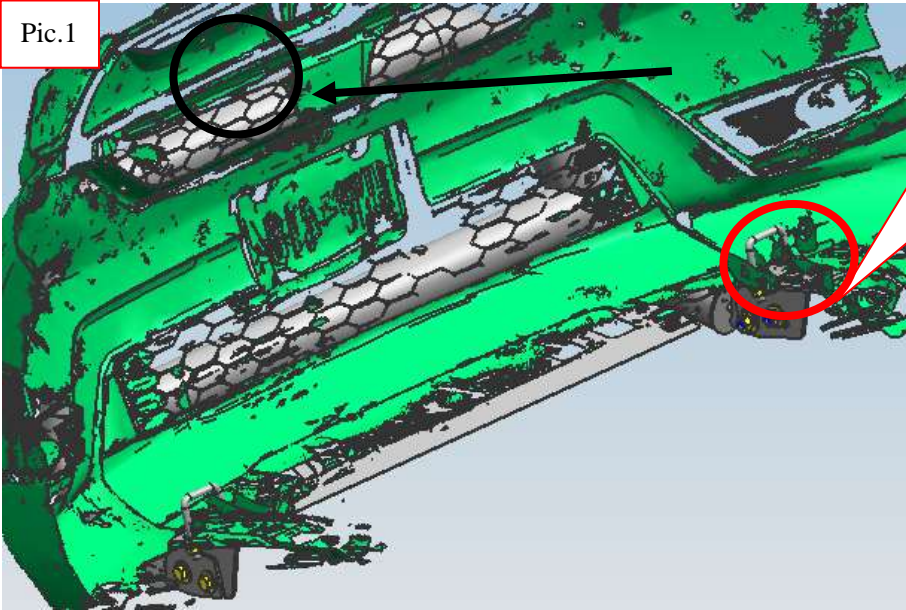


## INSTALLATION PROCEDURES

Step 1: Refer to the Part List and Installation Picture to check if all hardware are included.

Step 2: Refer to the following picture to install the brackets.

Pic.1



U-bolts

Φ10\*30\*2.5 large washer

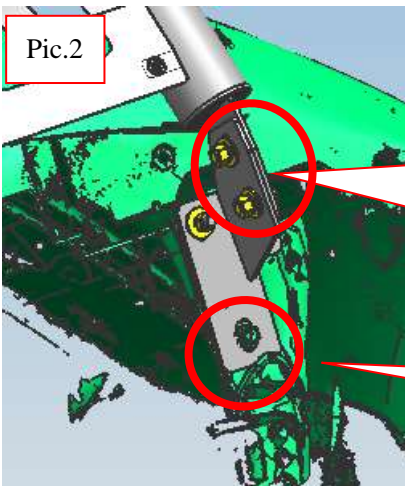
Φ10 Spring washer

M10 hexagon nuts

Step 3: Install the bull bar on the brackets and then adjust it to the proper position.

Step 4: Check if all hardware are installed and fasten all to complete the installation.

Pic.2



M12\*35 hexagon bolts

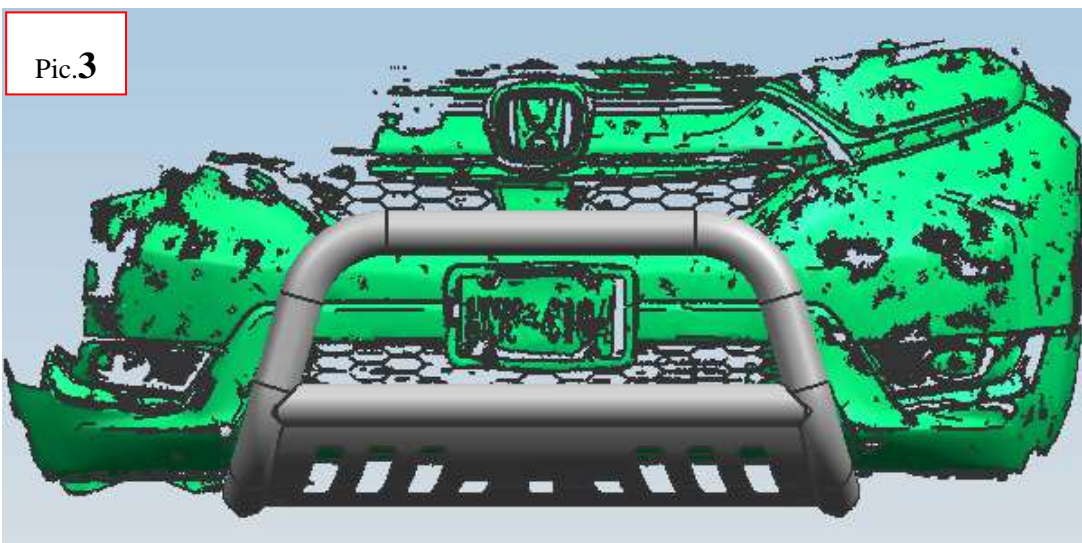
Φ10\*30\*2.5 large washer

Φ10 Spring washer

M10 hexagon nuts

OE hard ware

Pic.3



Disclaimer: Caused due to improper installation initiates or some related problem and losses, are beyond our company's quality assurance.