

INSTALLATION INSTRUCTIONS

SPORT BAR
08-ON MAZDA CX9
PART NUMBER

PARTS LIST:

| | | | |
|---|----------------------------------|----|--------------------------------------|
| 1 | Sport Bar | 2 | 10-1.50mm x 35mm Hex Head Bolts |
| 1 | Driver/Left Mounting Bracket | 4 | 10mm Lock Washers |
| 1 | Passenger/Right Mounting Bracket | 4 | 10mm Hex Nuts |
| 1 | Driver/Left Support Bracket | 6 | 10mm ID x 27mm OD x 3mm Flat Washers |
| 1 | Passenger/Right Support Bracket | 8 | 12-1.75mm x 35mm Hex Head Bolts |
| 2 | 12mm Double Nut Plates | 2 | 12-1.75mm x 80mm Hex Head Bolts |
| 2 | 10-1.50mm x 30mm Bolt Plates | 10 | 12mm Lock Washers |
| | | 6 | 12mm Hex Nuts |
| | | 16 | 12mm ID x 32mm OD x 3mm Flat Washers |

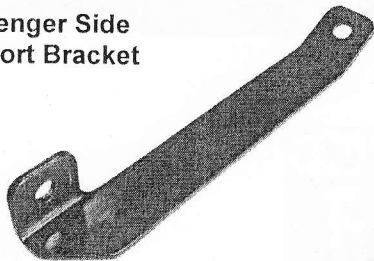
Passenger Side
Mounting Bracket



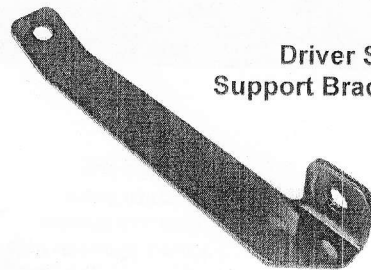
Driver Side
Mounting Bracket



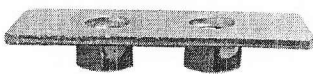
Passenger Side
Support Bracket



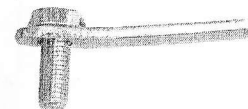
Driver Side
Support Bracket

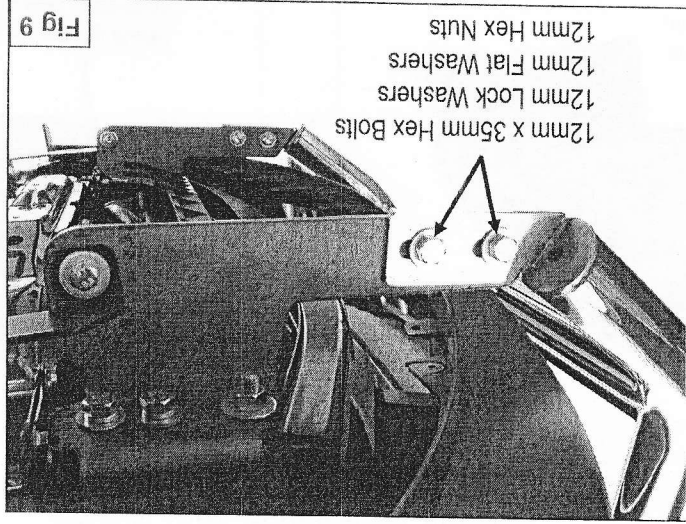


12mm Double Nut Plate
(2 pieces)

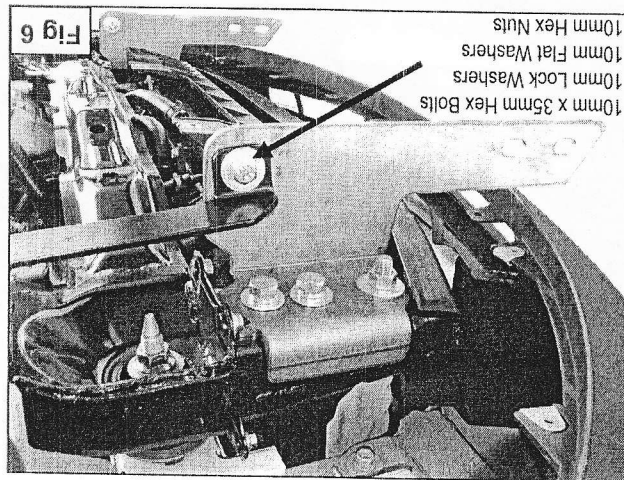
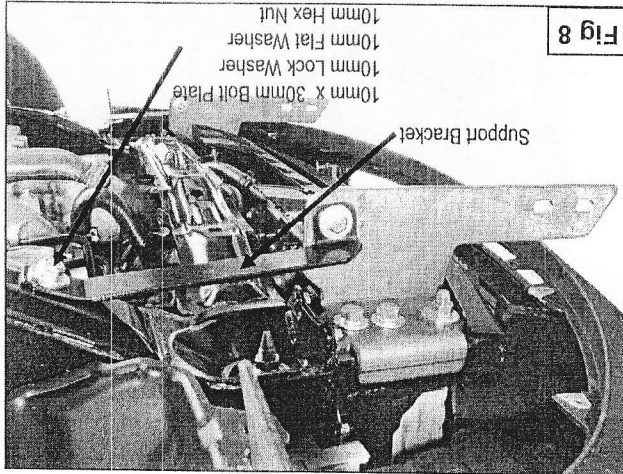
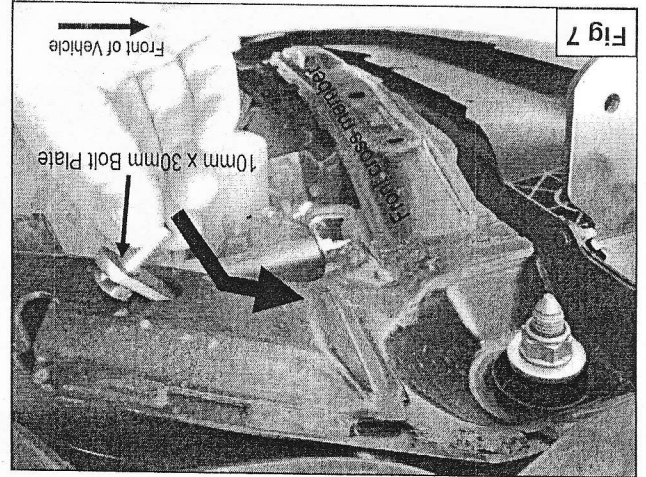


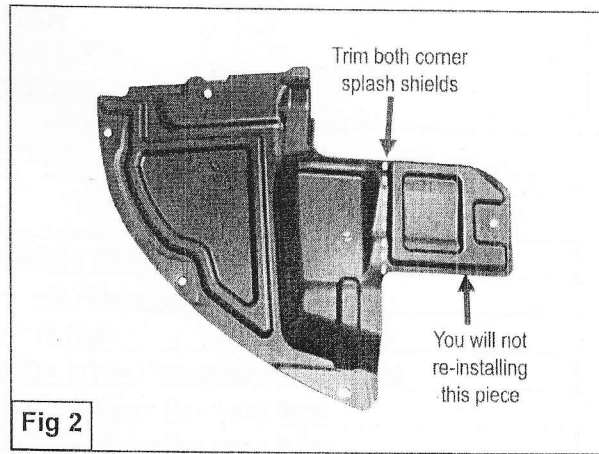
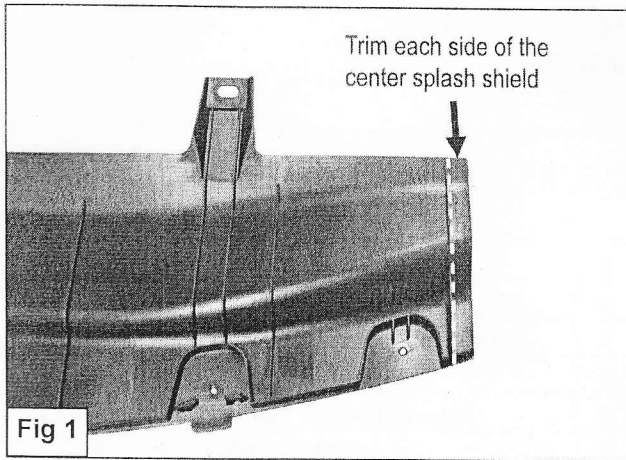
10mm Bolt Plate
(2 pieces)





(Installation Shown Without Splash Shields)





(Driver Side Installation Shown)

