

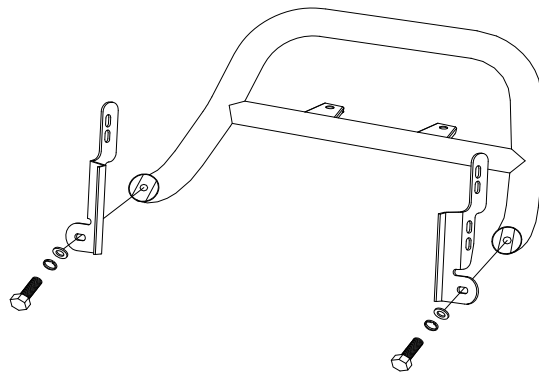


TEL ☐ 1-866-XANATOS

INSTALLATION INSTRUCTIONS

PART#: CBBS-FOB2701SP

**A BAR BRACKET FOR 1996-00 FORD EXPLORER
1997-00 MERCURY MOUNTAINEER
1998-00 FORD RANGER**



QTY	PARTS KIT CONTENTS DESCRIPTION	TOOLS REQUIRED
2	MOUNT BRACKET-DRIVER/PASSENGER	10MM SOCKET
2	SUPPORT BRACKET-DRIVER/PASSENGER	1/2" SOCKET
2	BACKING PLATE	9/16"WRENCH
2	M12×100 HEX BOLT	9/16"SOCKET
2	M12×50 HEX BOLT	3/4"WRENCH
2	M10×40 HEX BOLT	3/4"SOCKET
4	M8×25 SELF TAP BOLT	TORQUE WRENCH
6	Φ12 FLAT WASHER	RATCHET
4	Φ12MEDIUM SPRING WASHER	RATCHET EXTENSION
2	M12 HEX NUT	
4	Φ10 FLAT WASHER	
2	Φ10MEDIUM SPRING WASHER	
2	M10 HEX NUT	

- STEP1. Remove the contents from the box and check for any damage. Verify all parts against parts list.
- STEP2. Read and understand instructions completely before beginning installation.
- STEP3. Install Mount Brackets on the outside face of frame members with M12×100 Hex Bolts. NOTE: 4 Door applications use upper holes. See Figure1. NOTE: ExplorerSM and Ranger uses lower holes. See Figure2. Secure with Backing Plates and 1/2" fasteners. See Figure3 Leave loose.
- STEP4. Install Support Brackets using bores in bottom face of vehicle frame. '96-'97; Secure to frame using M10 Self Tap Bolts. See Figure 1 and 2. '98; Vehicles have a factory bolt in rear hole to hold Radiator Shroud. See Figure 1 and 2. Remove with 10mm Socket. Remove "push type" fastener holding rear of shroud to frame. Install Support Bracket between top of shroud and frame. Replace factory bolt. Replace push type connector with M10 Self Tap Bolt. Leave loose.
- STEP5 Secure Support Bracket to Mount Bracket using M10 fasteners. See Figure 1 and 2 .
- STEP6 Mount Safari Bar using M12 fasteners. See Figure 1-4
- STEP7 Center and level Safari Bar. Tighten and fasteners as follows : 5/16" and 8MM to 15FT LBS
3/8" to 35FT LBS.
1/2" to 65FT LBS

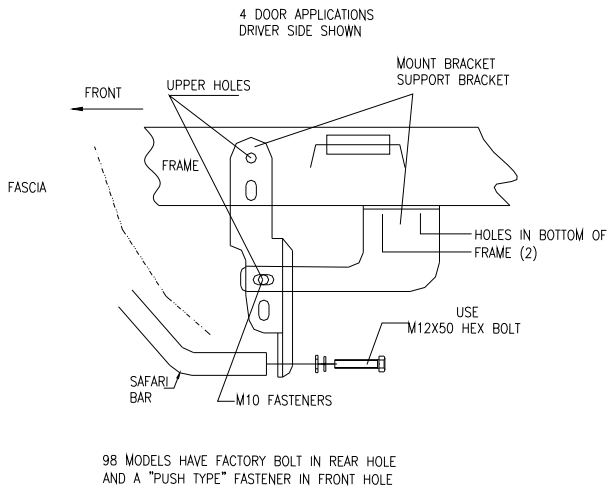


FIGURE 1

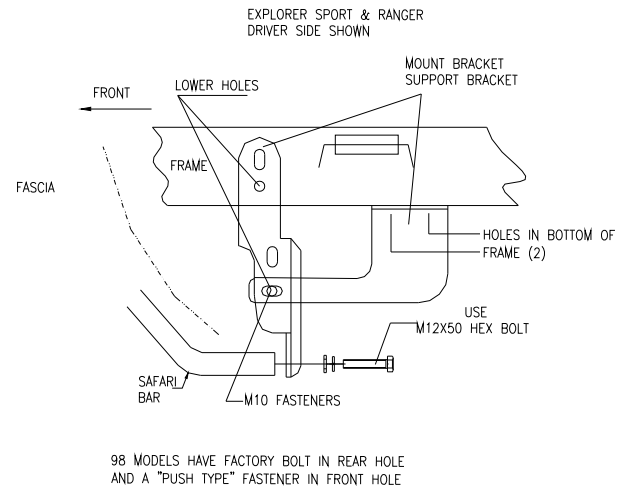


FIGURE 2

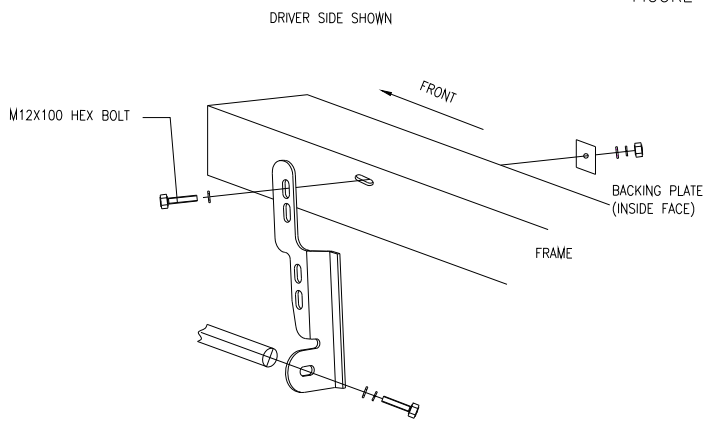


FIGURE 3

FIGURE 4

