



TEL: 1-866-XANATOS

INSTALLATION INSTRUCTIONS

MAX T BULL BAR FOR 2019 -2020 FORD RANGER (BBMAX12T+MF3)

PART # MBT-MF312

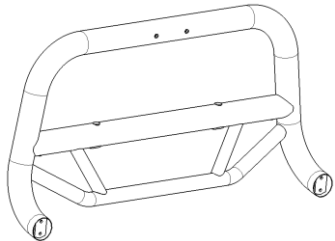
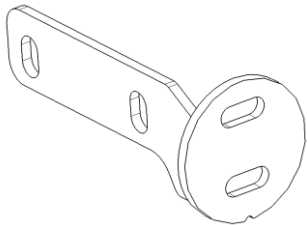
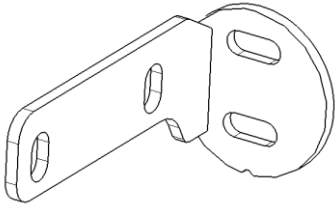
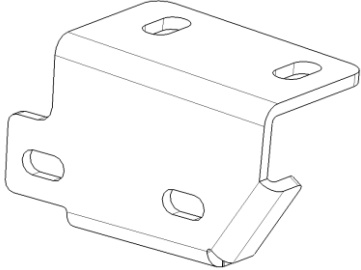
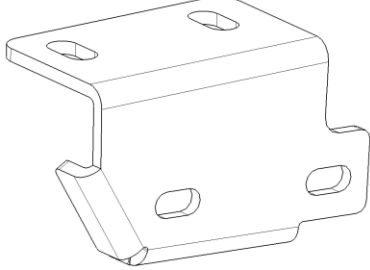
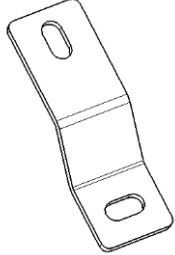
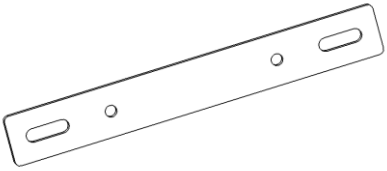
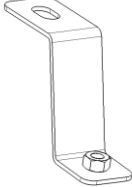
Before Installation

- Please read the instruction completely for easy installation, which will also help you to avoid scratches or other potential damages to your appealing car.
- The figures here are for reference only and may have differences with the actual product you received, however they share the same assembly way.

Care and Cleaning

- Mild soap may be used also to clean the Product.
- Please periodically check and retighten all the hardware and clean the investment for a refresh look.

Parts list

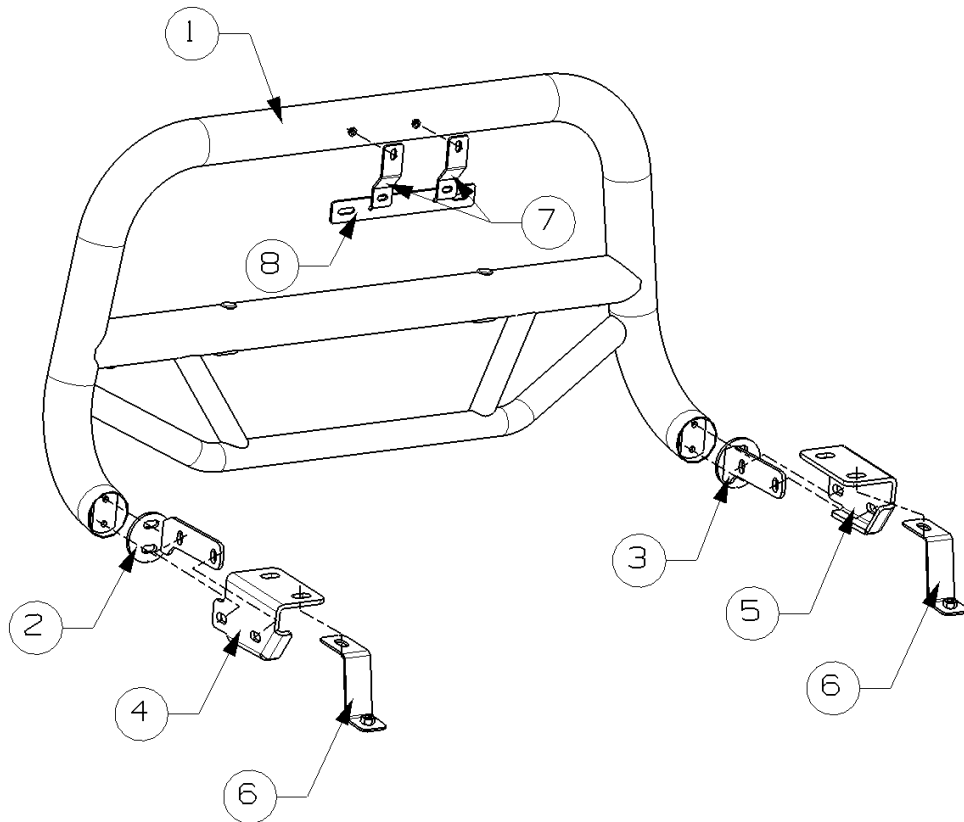
NO.	QTY	NAME	NO.	QTY	NAME
①	1	 BULL BAR	②	1	 LEFT TUBE BRACKET
③	1	 RIGHT TUBE BRACKET	④	1	 LEFT FRAME BRACKET
⑤	1	 RIGHT FRAME BRACKET	⑥	2	 LICENSE PLATE BRACKET1
⑦	1	 LICENSE PLATE BRACKET2	⑧	2	 SKID PLATE MOUNTING BRACKET

MAX T BULL BAR FOR 2019 -2020 FORD RANGER (BBMAX12T+MF3)

⑨	4	COMBO BOLT M6_20	⑩	4	FLAT WASHER D8_22_2
⑪	8	FLAT WASHER D10_27_3	⑫	4	HEX BOLT M12_35
⑬	4	HEX BOLT M10_35	⑭	4	HEX BOLT M8_35
⑮	4	HEX NUT M6	⑯	4	NYLON LOCK NUT M10
⑰	2	HEX BOLT M6_20	⑱	4	FLAT WASHER D6 (6x12x1.6mm)
⑲	4	FLAT WASHER D12 (12x37x3mm)	⑳	4	LOCK WASHER D12
㉑	4	LOCK WASHER D8	㉒	4	LOCK WASHER D6
㉓	1	Wrench S=4			

Installation Steps

Installation Figure:



STEP 1:

Start installation from under the front of the vehicle.

STEP 2:

Determine if the vehicle is equipped with tow hooks.

IMPORTANT: Tow hooks cannot be reinstated with the Guard.

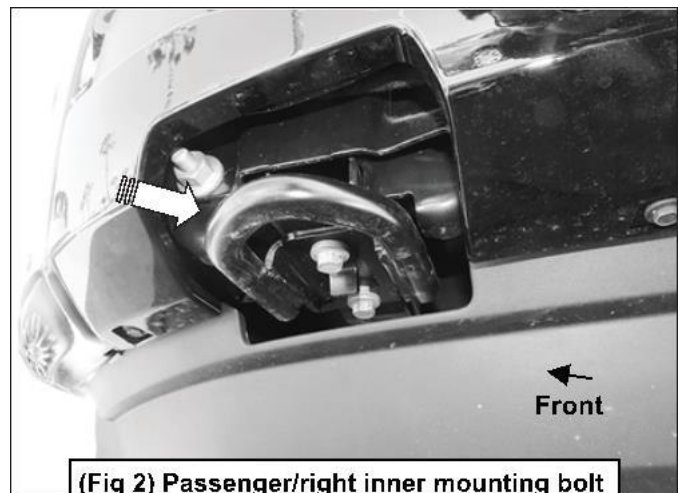
Tow Hook equipped vehicles:

- a. Remove the plastic cover attaches to the tow hook, (Figure 1). Next, remove the tow hook from the bottom of the frame, (Figures 2 - 4). On models with steel skid plate, temporarily remove skid plate, (Figure 3).
- b. Proceed to Step 3.

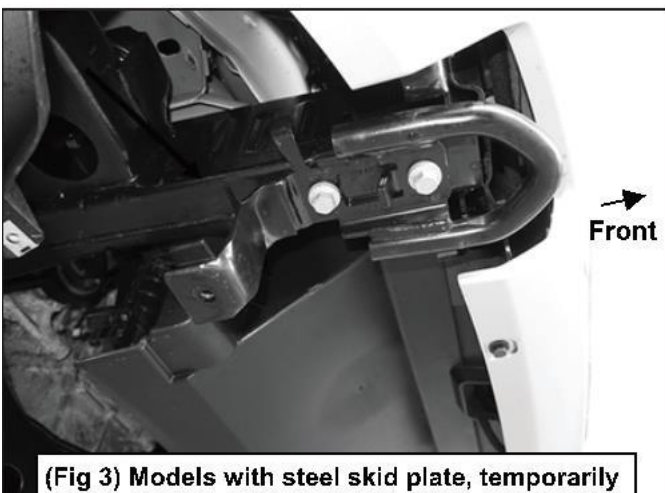
Passenger/Right Side Installation Pictured



(Fig 1) Example of Tow hook



(Fig 2) Passenger/right inner mounting bolt for tow hook pictured from behind bumper



(Fig 3) Models with steel skid plate, temporarily remove skid plate to access tow hooks



(Fig 4) Passenger/Right mounting location

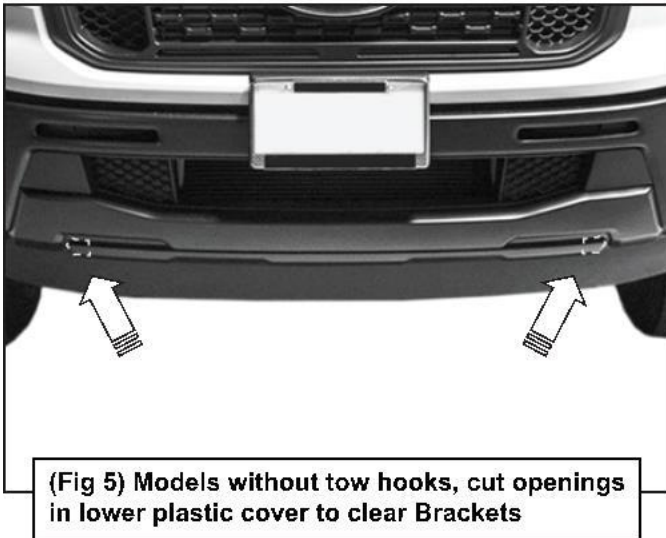
Vehicles without tow hooks:

- a. Cut out the lower section of the indented area in both sides of the plastic bumper insert to clear the Brackets as pictured, (Figure 5).

NOTE: Hold the Frame Mounting Bracket up to the back of the bumper to determine area to remove to clear Bracket.

IMPORTANT: Make several small cuts for best fit.

Passenger/Right Side Installation Pictured



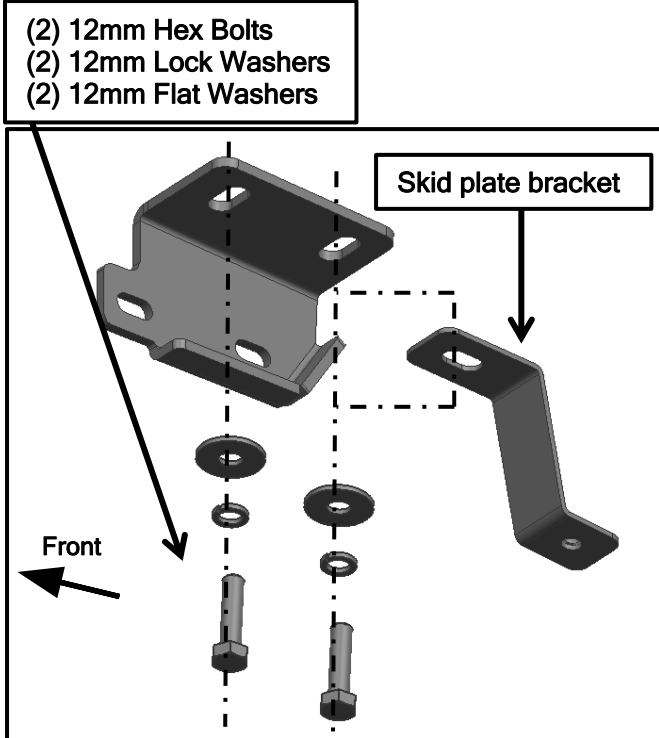
b. Insert the Mounting Brackets through the openings in the bumper to check for clearance. Trim the plastic as required to clear the Bracket

STEP 3:

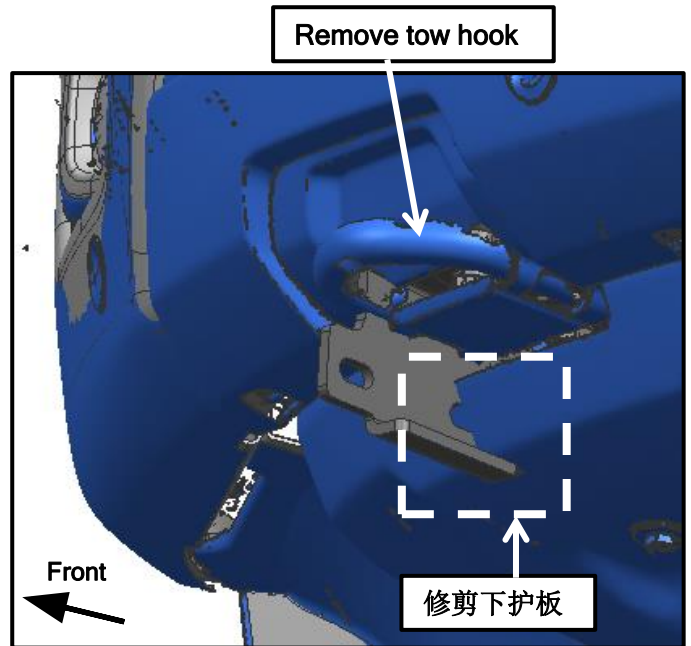
Select the passenger/right Frame Mounting Bracket, (Figure 6). Hold the Bracket up to the bottom of the frame. Line up the holes in the Bracket with the (2) mounting bolt holes for the tow hook. Attach the Bracket to the threaded holes in the frame with (2) 12mm x 45mm Hex bolts, (2) 12mm Lock Washers and (2) 12mm Flat Washers, (Figures 6 & 7).

IMPORTANT: Models with steel skid plate, attach (1) Skid Plate Bracket to the rear mounting Bolt, (Figure 6). Leave hardware loose. Repeat this Step to attach the driver/left Frame Bracket.

Passenger/Right Side Installation Pictured



(Fig 6) Attach Passenger/right Frame Bracket to bottom of frame. Attach skid plate bracket to rear mounting hole if equipped with steel skid plate

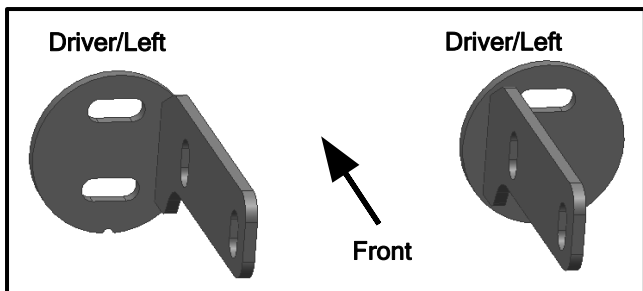


(Fig 7) Passenger/Right side Bracket installed

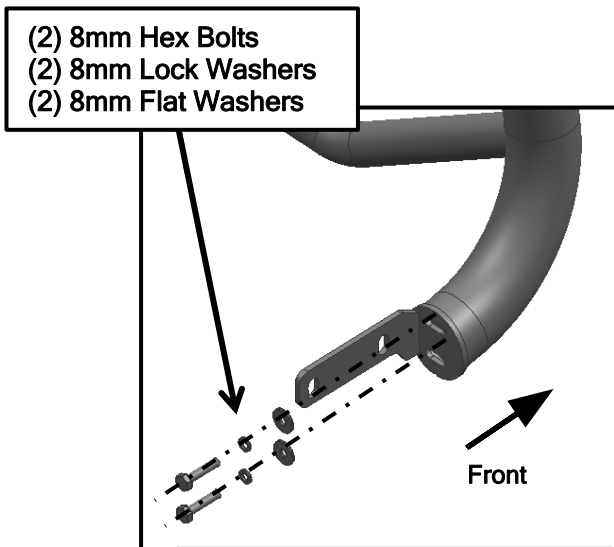
STEP 4:

Next, select the passenger/ right Tube Bracket, (Figure 8). Attach the Tube Bracket to the end of the end of the Guard with the included (2) 8mm x 35mm Hex Bolts, (2) 8mm Lock Washers and (2) 8mm Flat Washers, (Figure 9), Center the flange on the Bracket with the tube and snug but do not fully tighten hardware. Repeat this Step to attach the driver/left Tube Bracket.

Passenger/Right Side Installation Pictured



(Fig 8) Tube Mounting Brackets



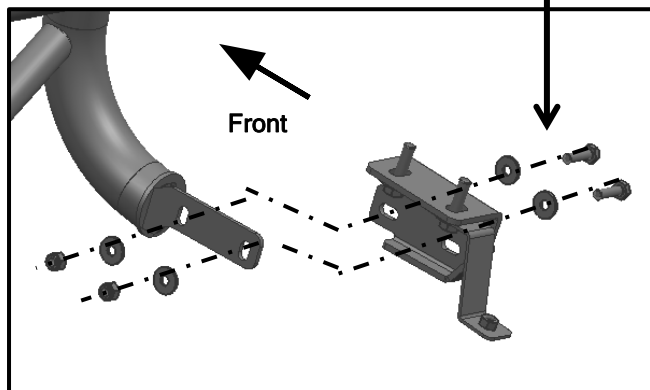
(Fig 9) Tube Mounting Brackets

STEP 5:

With assistance, hold the Guard up in position on the outside of the Mounting Brackets, Attach the Guard to the Brackets with (4) 10mm x 35mm Hex Bolts, (8) 10mm Flat Washers and (4) 10mm Nylon Lock Nuts, (Figure 10 & 11). Do not tighten hardware at this time.

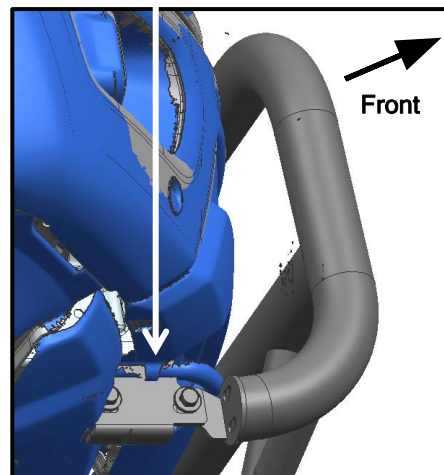
Passenger/Right Side Installation Pictured

(2) 10mm Hex Bolts
(4) 10mm Flat Washers
(2) 10mm Nylon Lock Nuts



(Fig 10) Attach Guard to outside of Brackets. Passenger/right side complete installation

(2) 10mm Hex Bolts
(4) 10mm Flat Washers
(2) 10mm Nylon Lock Nuts



(Fig 11) Passenger/right side complete installation

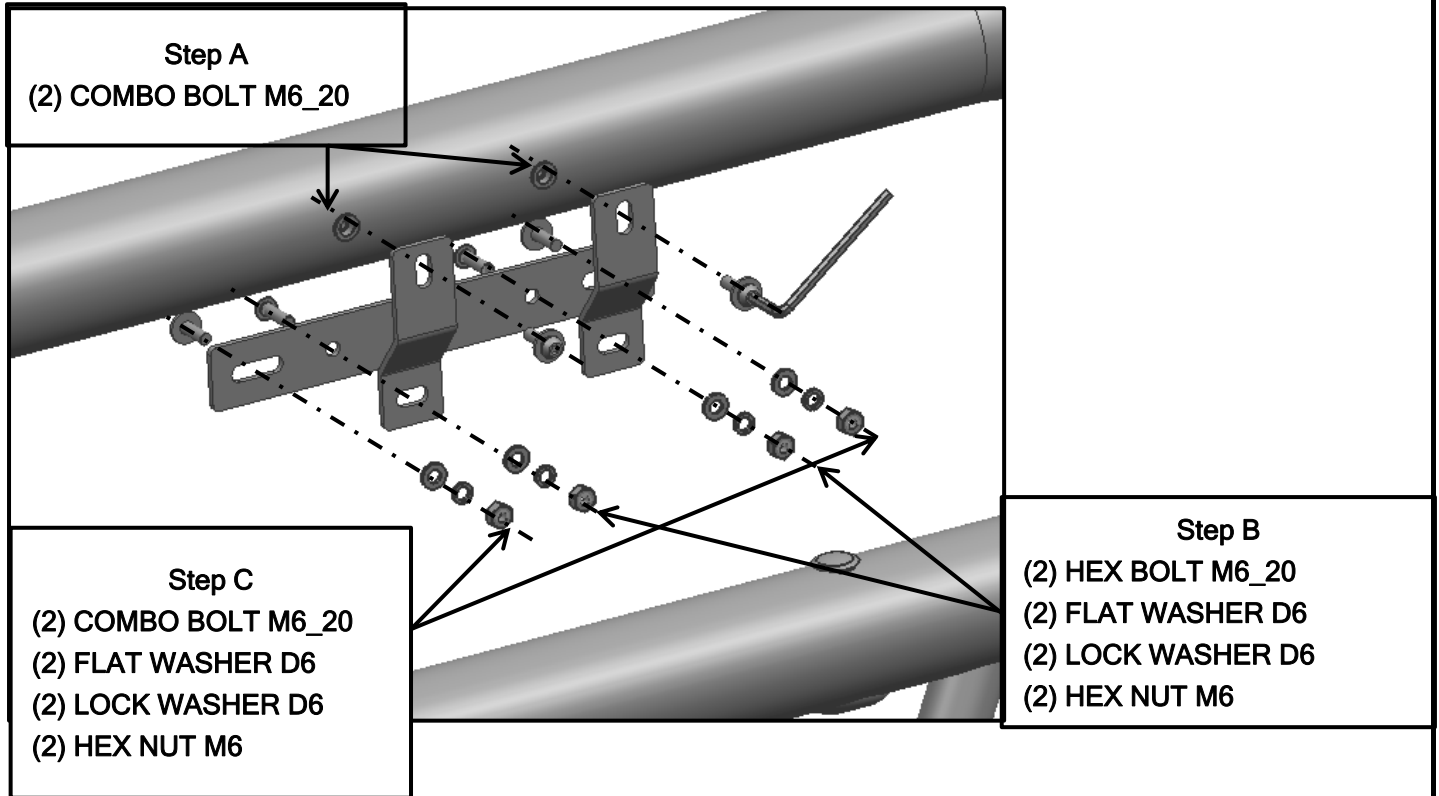
STEP 6:

Install the license plate as the picture shown

Step A. Connect the license plate bracket1 to guard by Combo bolt M6_20.

Step B. Connect the license plate bracket 1 with license plate bracket 2 by (2) HEX BOLT M6_20; (2) FLAT WASHER D6;(2) LOCK WASHER D6;(2) HEX NUT M6.

Step C. Install the license plate to license plate bracket 2 by (2) COMBO BOLT M6_20; (2) FLAT WASHER D6;(2) LOCK WASHER D6;(2) HEX NUT M6



STEP 7:

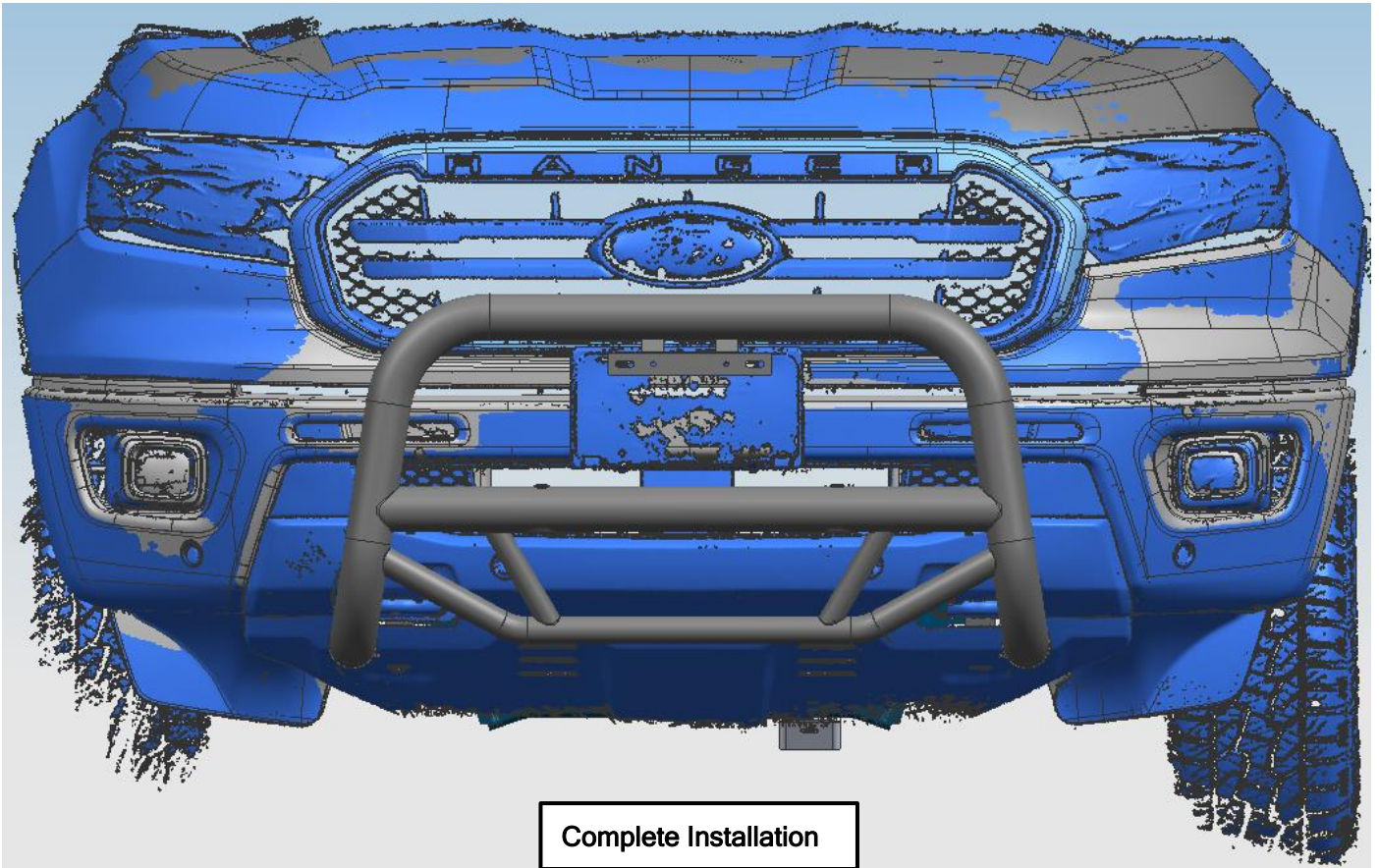
Check the Guard alignment with the vehicle and for clearance between the Guard and the bumper. Adjust as required then fully tighten all hardware at this time.

STEP 8:

Attach the license plate, (if required), to the threaded holes in the front of the Guard with the included (2) 6mm Combo Bolts.

STEP 9:

Do periodic inspections to the installation to make sure that all hardware is secure and tight.



NOTE

Any damages and losses caused by improper installation and application, goes beyond our quality warranty.