



**TEL: 1-866-XANATOS**

## **INSTALLATION INSTRUCTIONS**

**MAX T BULL BAR FOR 2019-2020 Dodge Ram 1500 (BBMAX12T+MR15)**

**PART # MBT-MR1512**

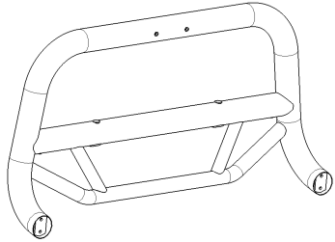
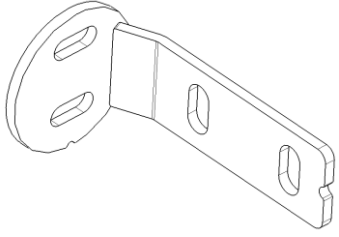
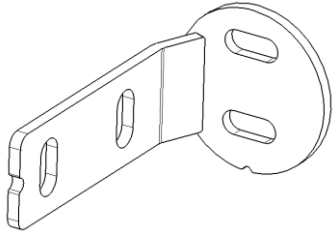

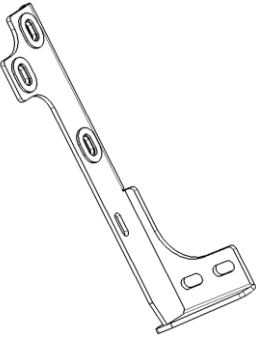
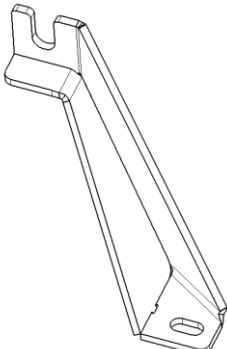
## Before Installation

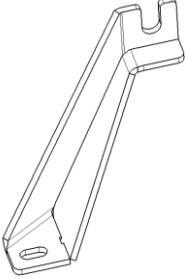
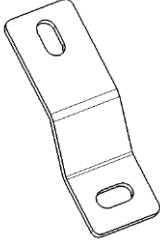
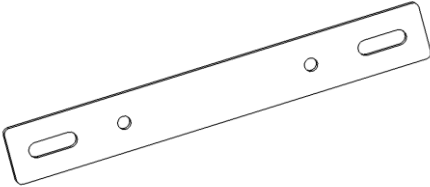
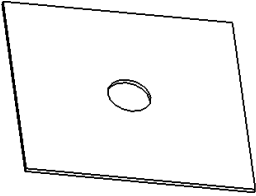
- Please read the instruction carefully before starting installation, which will help you to avoid scratches or other potential damages to your appealing car.
- The figures here are for reference only and may have differences with the actual product you received, however they share the same assembly way.

## Care and Cleaning

- Mild soap may be used also to clean the Product.
- Do periodic inspections to the installation to make sure that all hardware is secure and tight.

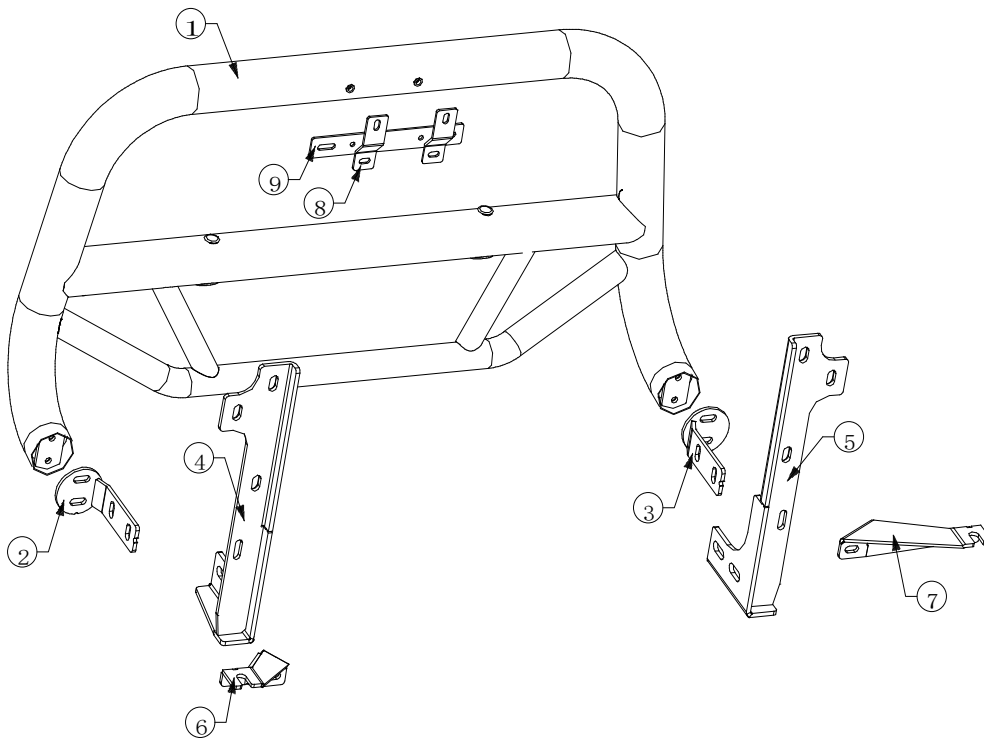
## Parts List

NO.	QTY	NAME	NO.	QTY	NAME
①	1	 BULL BAR	②	1	 Tube Bracket (L)
③	1	 Tube Bracket (R)	④	1	 Frame Mounting Bracket (L)
⑤	1	 Frame Mounting Bracket (R)	⑥	1	 Support Bracket (L)

<p>⑦</p>	<p>1</p>	 <p>Support Bracket (R)</p>	<p>⑧</p>	<p>2</p>	 <p>License Plate Bracket 1</p>
<p>⑨</p>	<p>1</p>	 <p>License Plate Bracket 2</p>	<p>⑩</p>	<p>2</p>	 <p>8mm PVC Plastic Retainers</p>
<p>⑪</p>	<p>2</p>	<p>Blot Plates M8x30</p>	<p>⑫</p>	<p>4</p>	<p>Combo Bolts M6_20</p>
<p>⑬</p>	<p>2</p>	<p>Hex Bolts M6_20</p>	<p>⑭</p>	<p>4</p>	<p>Hex Bolts M12_35</p>
<p>⑮</p>	<p>4</p>	<p>Hex Bolts M8_35</p>	<p>⑯</p>	<p>6</p>	<p>Hex Bolts M8_30</p>
<p>⑰</p>	<p>4</p>	<p>Lock Washers D12</p>	<p>⑱</p>	<p>12</p>	<p>Lock Washers D8</p>
<p>⑲</p>	<p>4</p>	<p>Lock Washers D6</p>	<p>⑳</p>	<p>8</p>	<p>Flat Washers D12_32_3</p>
<p>㉑</p>	<p>14</p>	<p>Larger Washers D8</p>	<p>㉒</p>	<p>4</p>	<p>Flat Washers D6</p>
<p>㉓</p>	<p>4</p>	<p>Hex Nuts M12</p>	<p>㉔</p>	<p>4</p>	<p>Hex Nuts M8</p>
<p>㉕</p>	<p>4</p>	<p>Hex Nuts M6</p>	<p>㉖</p>	<p>1</p>	<p>Wrench S=4</p>

## Installation Steps

### Installation Fig.



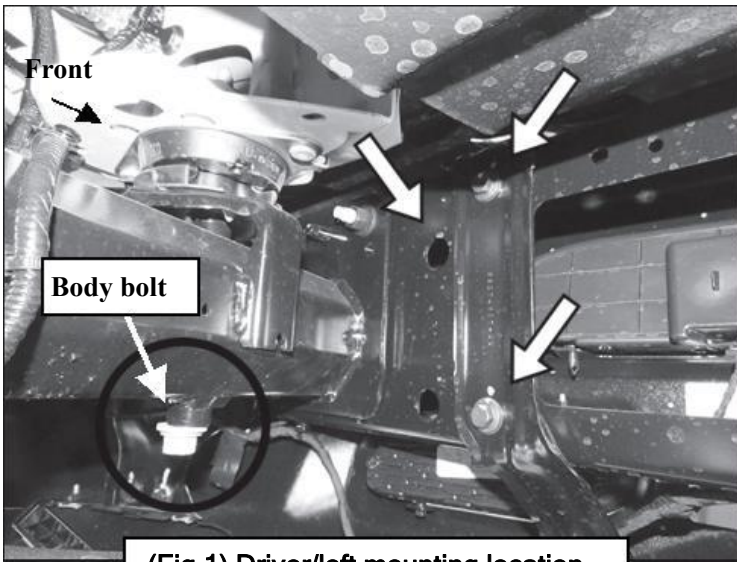
#### STEP 1:

Start installation under the front bumper. Carefully remove the plastic lower air dam attached to the bottom of the bumper. Do not remove the electronic “active air dam” behind the bumper if equipped. Pay close attention to the type and location of all factory hardware for reinstallation.

#### STEP 2:

Move to the back of the driver/left side of the bumper, (Fig 1). Select (1) 8mm Bolt Plate and (1) 8mm Plastic Retainer. Insert the Bolt Plate into the space between the outer bumper cover and bumper bracket, (Fig 2). Insert the threaded part of the Bolt Plate back through the hole in the bumper bracket. Thread the Plastic Retainer onto the Bolt Plate to hold it in place position.

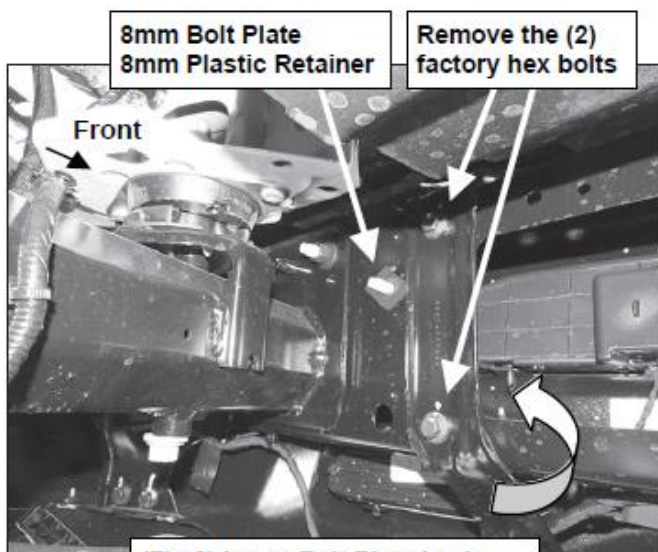
**NOTE:** The Plastic retainer is used to help hold the Bolt Plate in place but use is not mandatory for Bracket installation.



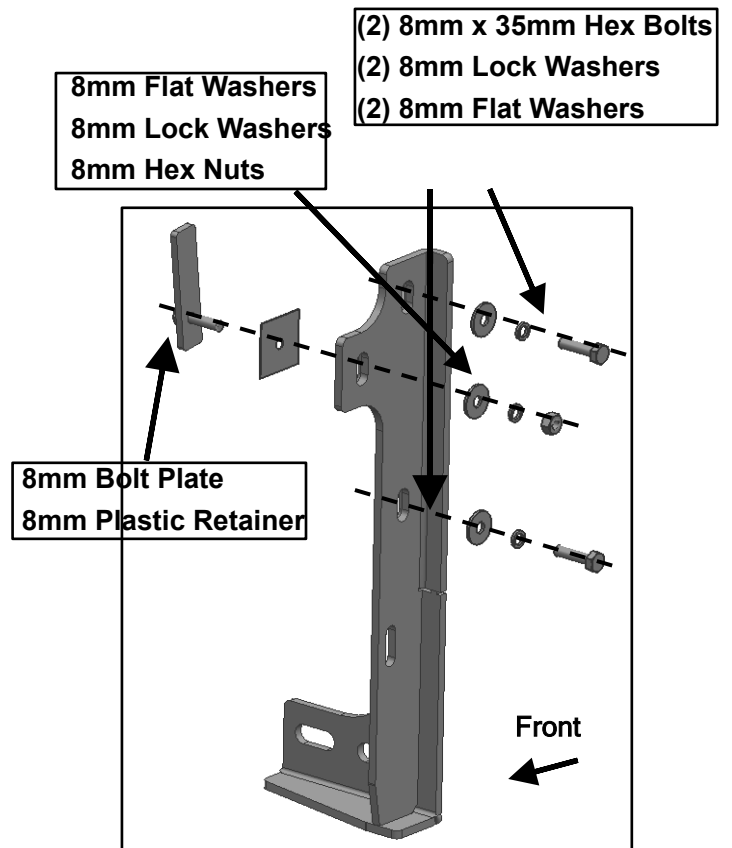
(Fig 1) Driver/left mounting location pictured from behind bumper

**STEP 3:**

Next, Remove the (2) factory hex bolts attaching the bumper to the bumper bracket, (Fig 2). Select the driver/left Frame Mounting Bracket. Attach the Bracket to the back of the bumper with the included longer (2) 8mm x 35mm Hex Bolts, (2) 8mm Lock Wash-ers and (2) 8mm Flat Washers, (Fig 3). Attach the Bracket to the 8mm Bolt Plate with (1) 8mm Flat Washer, (1) 8mm Lock Washer and (1) 8mm Hex Nut. Do not fully tighten hardware at this time.



(Fig 2) Insert Bolt Plate back through bumper bracket (arrow)



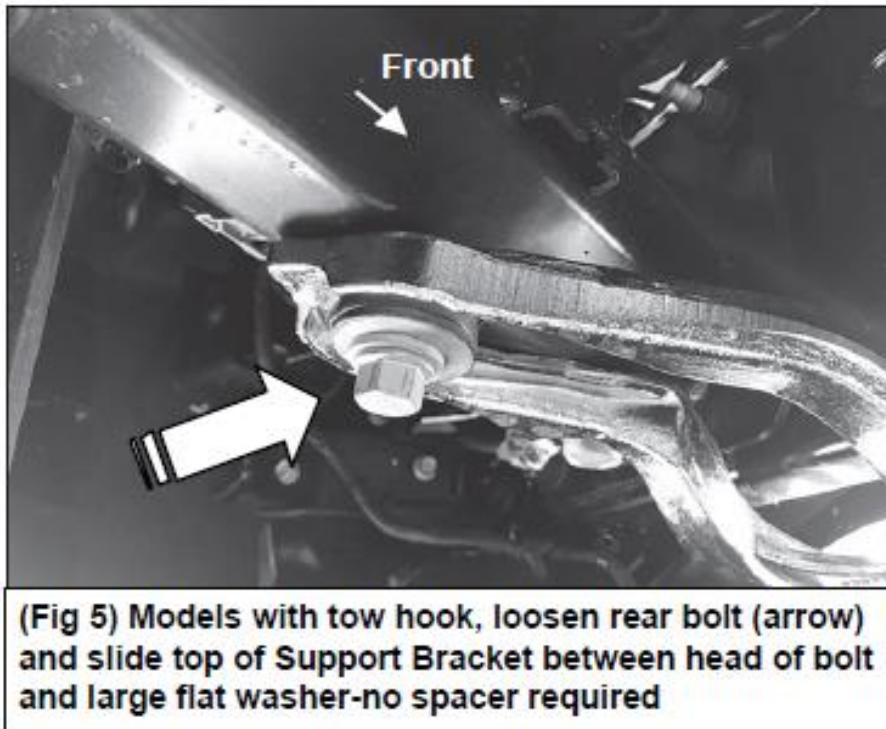
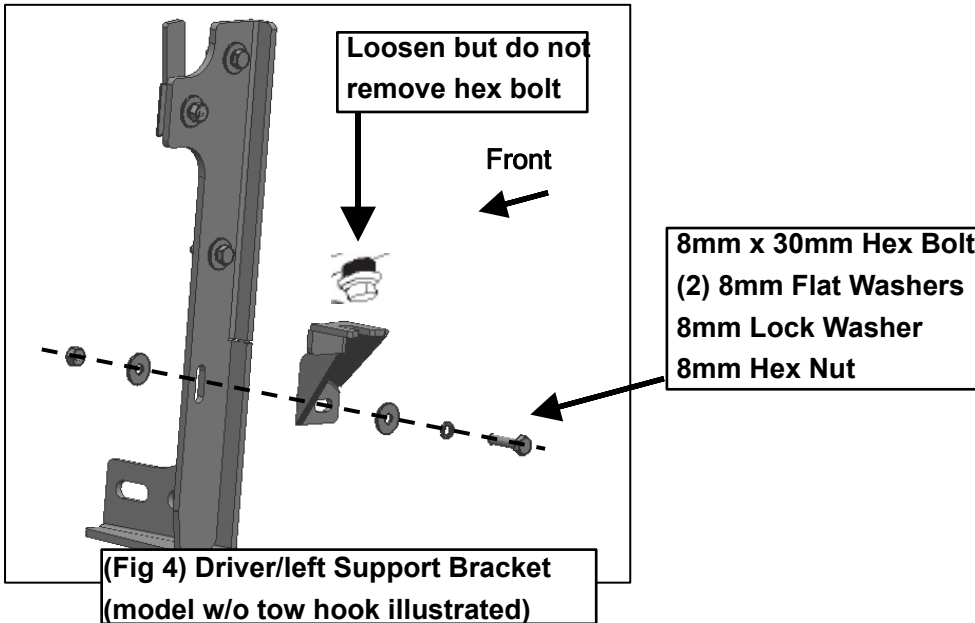
(Fig 3) Driver/left side Frame Bracket layout

**STEP 4:**

Loosen but do not remove the hex bolt from the bottom of the frame, (Figs 1 & 5). Select the driver/left Support Bracket, (Fig 4). Insert the slotted end of the Bracket under the hex bolt.

a. On models with tow hooks, slide the Bracket between the head of the hex bolt and the large flat washer, (Fig 5). Do not tighten hex bolt at this time.

b. On models without tow hooks, slide the Bracket between the steel sleeve on the frame and the head of the hex bolt, (Figs 1 & 4).



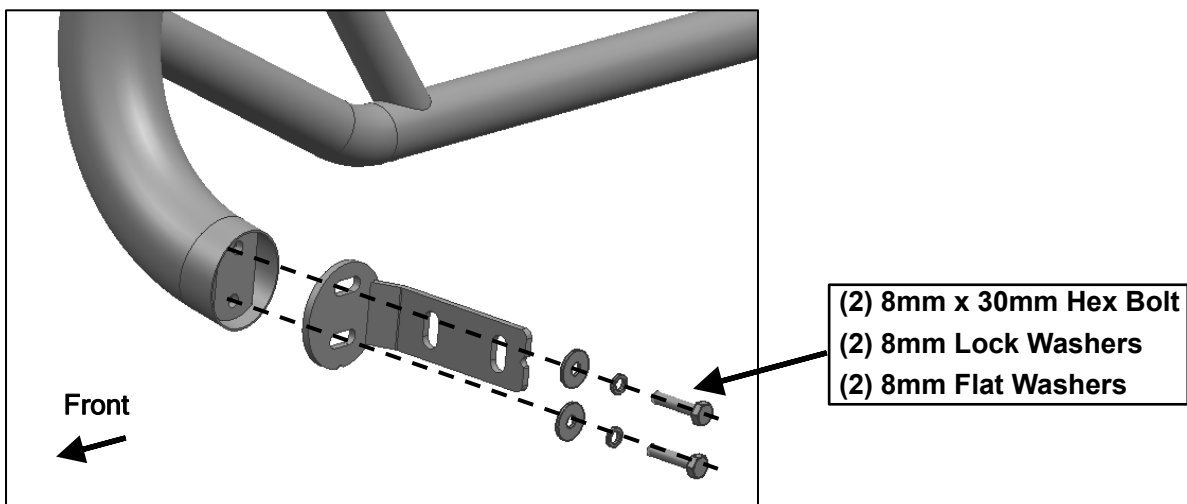
Line up the lower end of the Support Bracket with the slot in the Frame Bracket. Attach the Support Bracket to the Frame Bracket with (1) 8mm x 30mm Hex Bolt, (2) 8mm Flat Washers, (1) 8mm Lock Washer and (1) 8mm Hex Nut, (Fig 4).

### STEP 6:

Repeat Steps 2-5 to install the passenger/right Frame and Support Bracket.

### STEP 7:

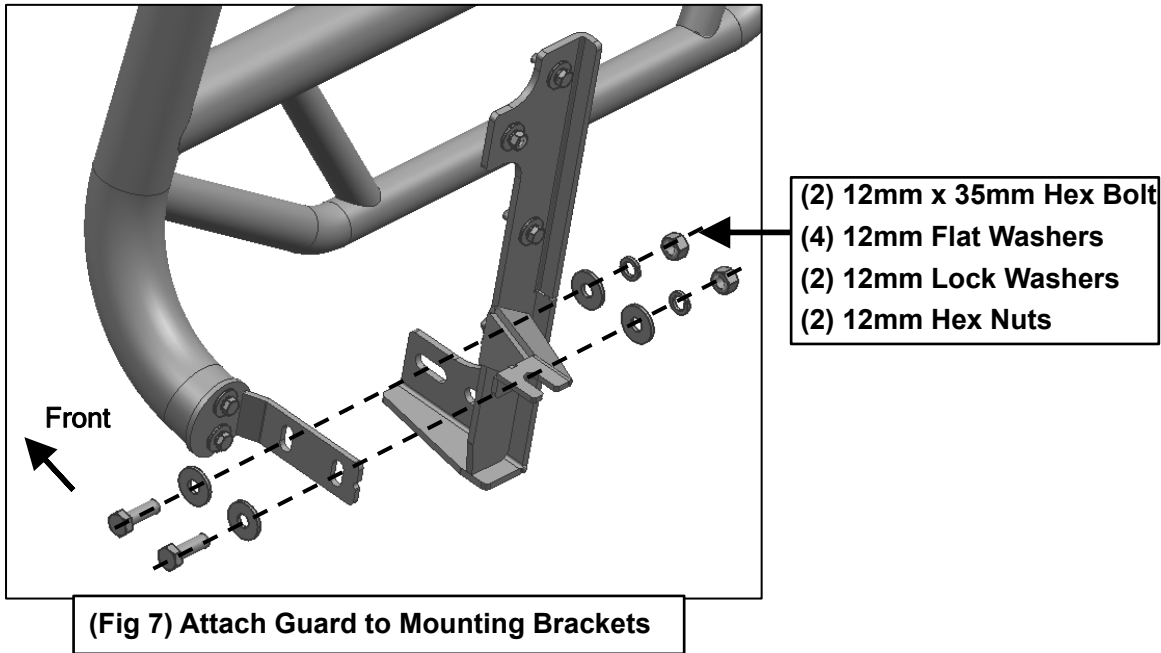
Next, select (1) Tube Mounting Bracket, (Fig 6). Attach the Bracket to the end of the Guard with (2) 8mm x 30mm Hex Bolts, (2) 8mm Lock Washers and (2) 8mm Flat Washers. Leave hardware loose at this time. Repeat this Step to install the passenger side Tube Bracket.



(Fig 6) Attach Tube Bracket to end of Guard

### STEP 8:

With help, position the Guard with Tube Brackets up to the outside of the Mounting Brackets. Use the included (4) 12-1.75mm x 35mm Hex Bolts, (8) 12mm Flat Washers, (4) 12mm Lock Washers and (4) 12mm Hex Nuts to attach the Guard and Tube Brackets to the Mounting Brackets, (Fig 7). Do not tighten hardware.



## STEP 9:

Stand back from the vehicle and check to see that the Guard is centered and level on the vehicle and adjust as necessary. Fully tighten first the hardware securing the Mounting Brackets to the vehicle. Next tighten only the (4) 8mm Hex Bolts securing the Tube Brackets to the Guard as described in Step 7. Do not tighten the 12mm hardware attaching the Tube Brackets to the Mounting Brackets. Temporarily remove the Guard with Tube Brackets attached.

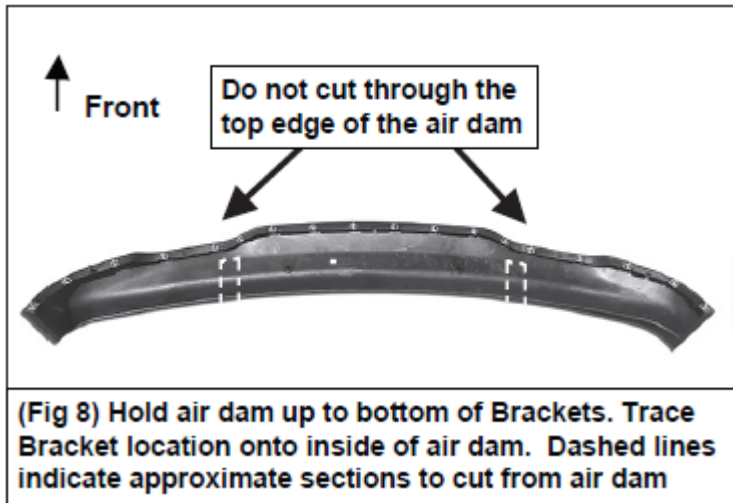
## STEP 10:

Hold the plastic air dam up to the bumper and align it with the mounting points. Mark the location of the Mounting Brackets onto the back of the air dam, (Fig 8). Cut an approximately 1-1/2" wide slot out of the bottom of the air dam.

**NOTE:** The size of the slot is an estimate only and may vary due to different factory designs for the air dam and front bumper covers.

**IMPORTANT:** To avoid weakening the air dam, do not cut the slot any larger than necessary to clear Brackets only. Do not cut through the top edge or mounting points, (Fig 8). Make several small cuts first and check the fit often for a clean installation.

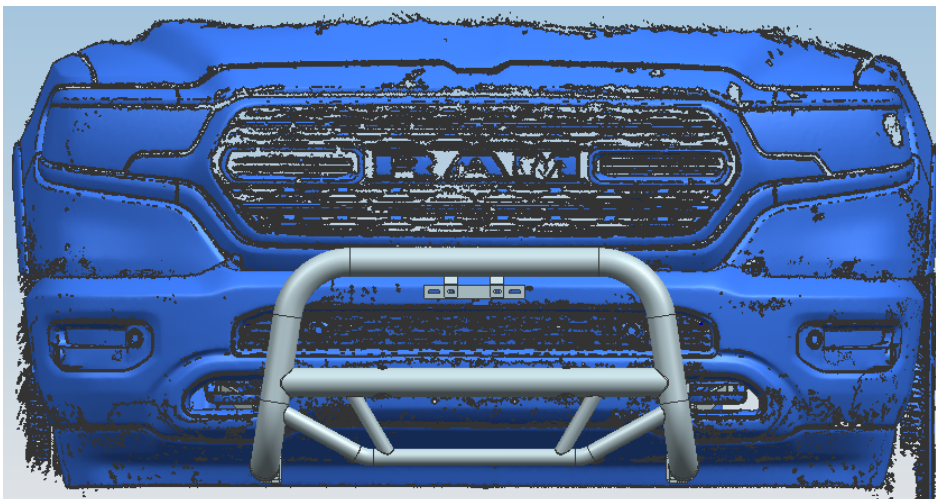




### STEP 11:

Reinstall the air dam using the factory hardware.

**NOTE:** It may be necessary to loosen the Bracket hardware to reinstall the air dam.



Installation pictured without the air dam  
For instruction purposes only

### STEP 12:

Reinstall the Guard as described in Step 8.

### STEP 13:

Level and adjust the Guard and fully tighten all hardware.

### NOTE

Any damages and losses caused by improper installation and application go beyond our quality warranty.