



# **INSTALLATION INSTRUCTIONS**

**BLACK CLASSIC ROLL BAR FOR 15-21 CHEVY COLORADO/GMC  
CANYON (WITH TONNEAU COVER BASE)**

**PART # RB005BK**

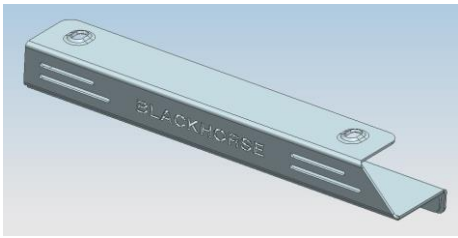
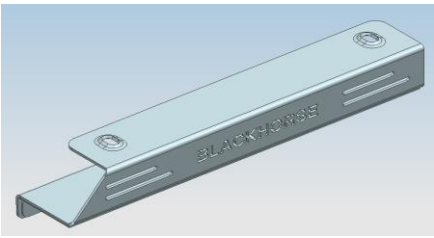
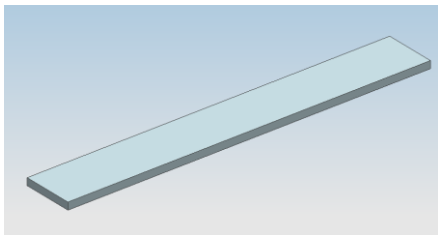
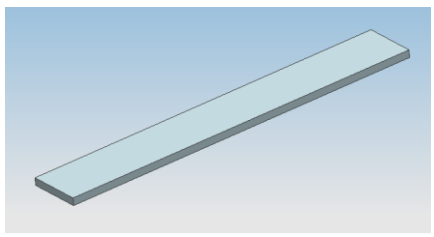
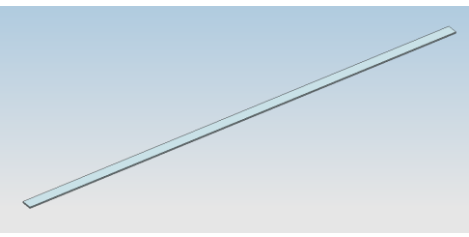
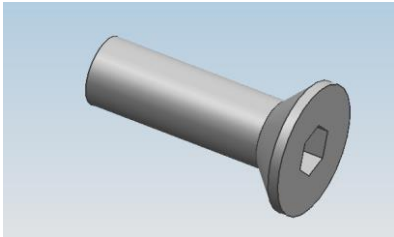
## Before Installation

- Please read the instruction completely for easy installation, which will also help you to avoid scratches or other potential damages to your appealing car.
- The information shown here is for reference only and may differ from the product that you receive, however the goods are fitted in the same way.

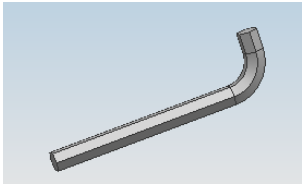
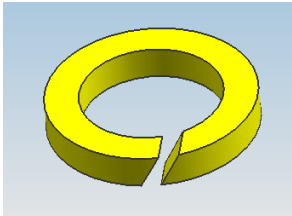
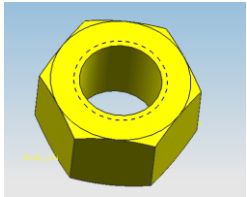
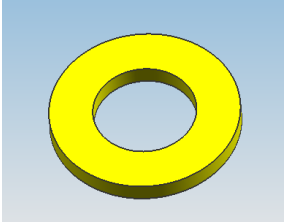
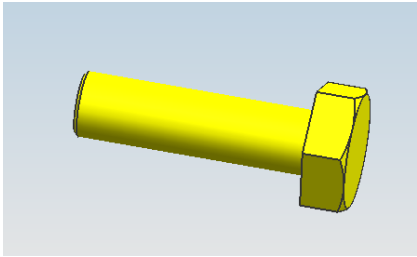
## Care and Cleaning

- Mild soap may be used also to clean the Product.
- Please periodically check and retighten all the hardware and clean the investment for a refresh look.

## Parts list

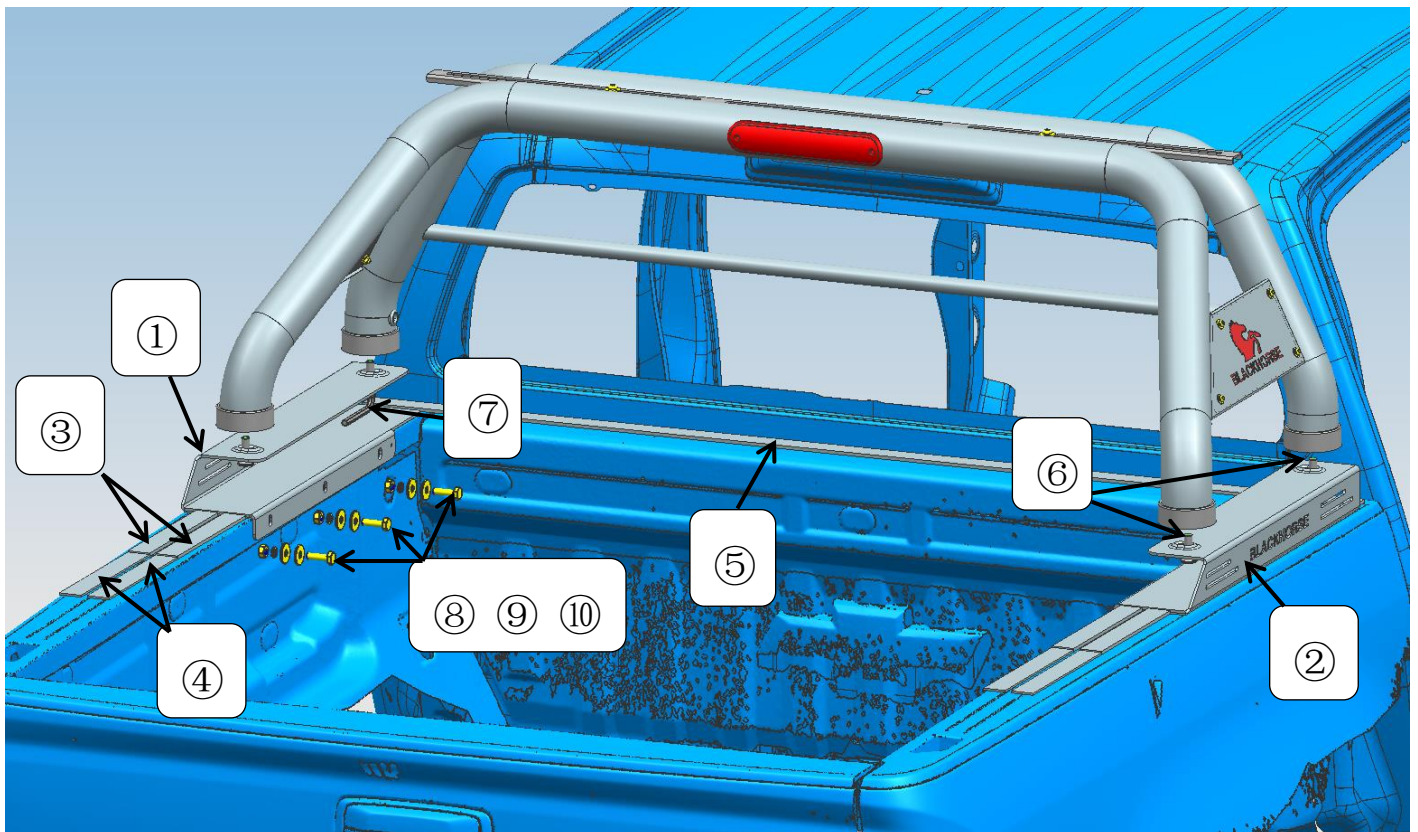
NO.	QTY	PICTURE	NO.	QTY	PICTURE
①	1	 L bracket	②	1	 R bracket
③	4	 Tape 4 (5mm*250)	④	4	 Tape 5 (3mm*250)
⑤	1	 Tape 6 (5mm*1600)	⑥	4	 Flat head allen bolt M12*40

BLACK CLASSIC ROLL BAR FOR 15-21 CHEVY COLORADO/GMC CANYON (WITH TONNEAU COVER BASE)

<p>⑦</p> <p>1</p>	 <p>Allen wrench S=8</p>	<p>⑧</p> <p>6</p>	 <p>Spring washer D10</p>
<p>⑨</p> <p>6</p>	 <p>Hex nut M10</p>	<p>⑩</p> <p>12</p>	 <p>Flat washer D10</p>
<p>⑪</p> <p>6</p>	 <p>Hex Bolt M10_35</p>		

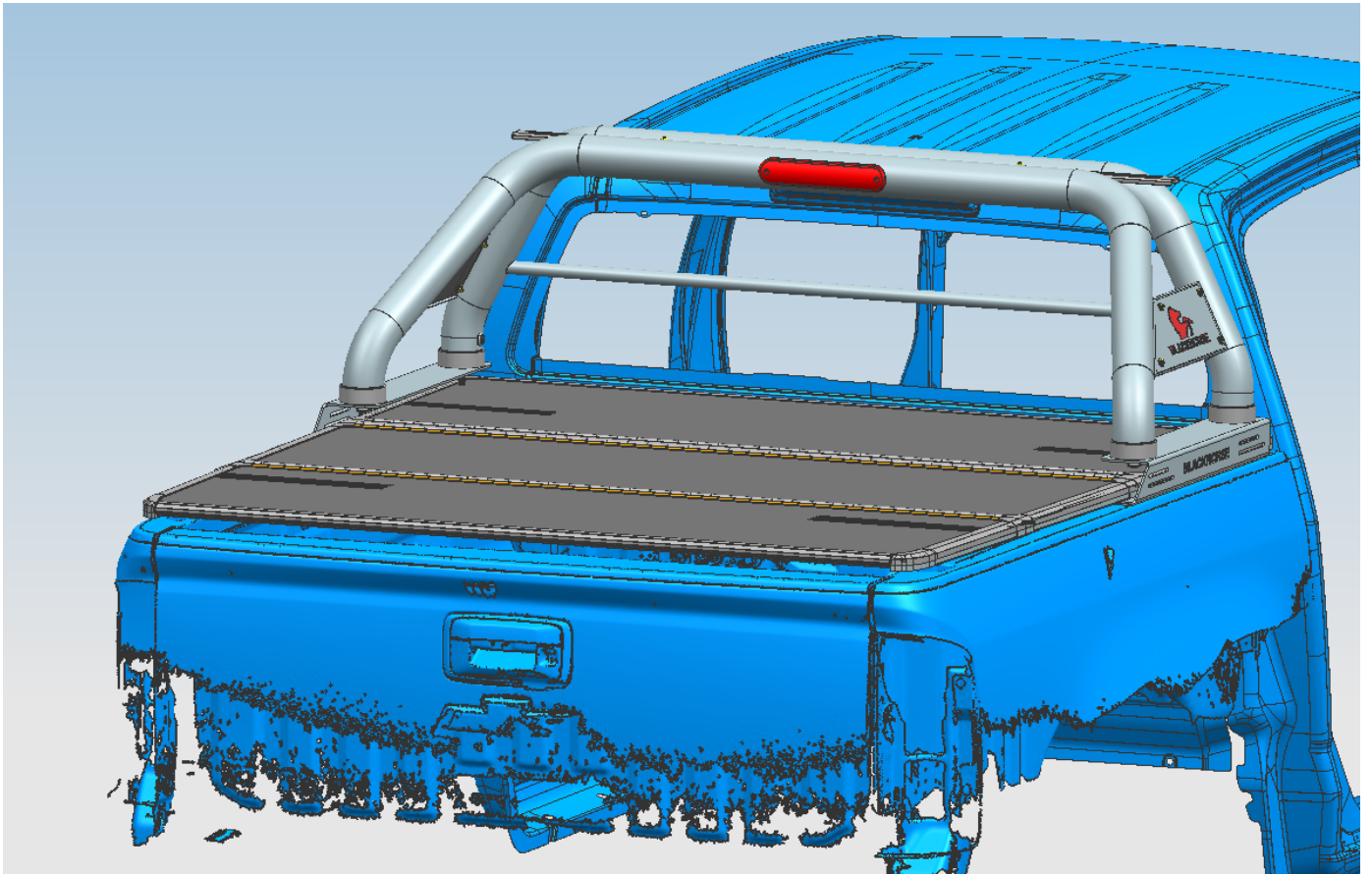
**Installation Steps**

FIG.1



BLACK CLASSIC ROLL BAR FOR 15-21 CHEVY COLORADO/GMC CANYON (WITH TONNEAU COVER BASE)

Installed as below show:



Step 1: Check all the contents are available in accordance with the above list.

Step 2: Prepared the SA roll bar, bracket ① and bracket ②, then use Allen wrench S=8 ⑦ and Flat head allen bolts M12\*40 ⑥ to connect roll bar and brackets without locking them.

Step 3: Use accessories ⑧ ⑨ ⑩ ⑪ to fasten roll bar and brackets on the truck at appropriate positions. Then fasten with Flat head allen bolts M12\*40 ⑥.

Step 4: Stick seal ③ ④ ⑤ as FIG.1 shows for avoiding gaps between truck and hard tri-fold cover.

Step 5: Installation is finished.

## NOTE

Any damages and losses caused by improper installation and application, goes beyond our quality warranty.