



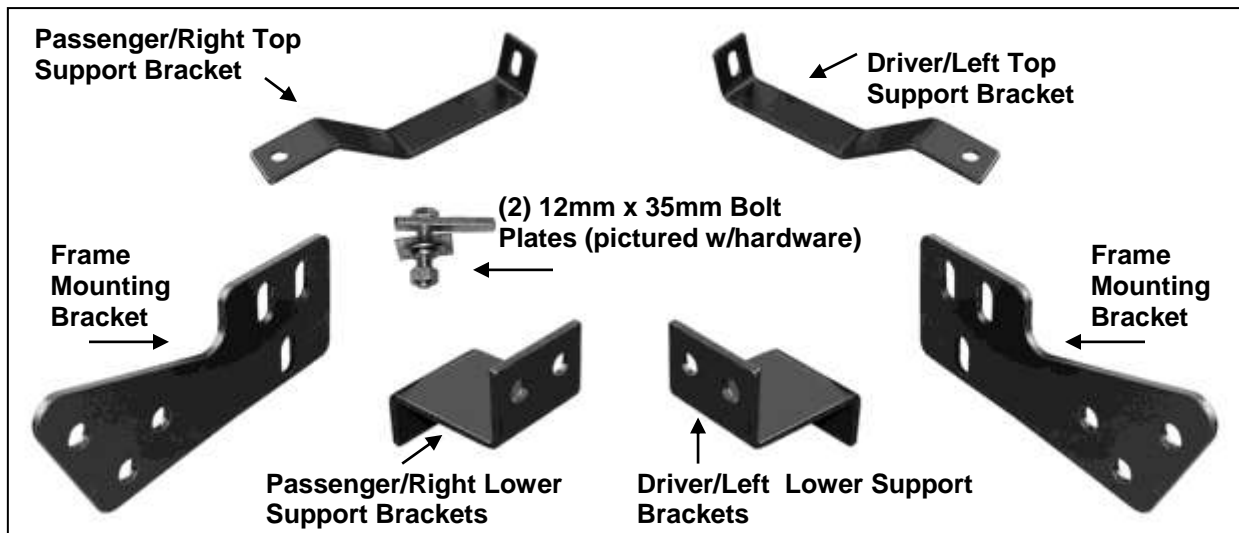
TEL: 1-866-XANATOS

INSTALLATION INSTRUCTIONS

**MODULAR RUGGED GRILLE GUARD
2007-2013 CHEVY AVALANCHE 1500
2007-2014 CHEVY TAHOE/SUBURBAN 1500
PART# RU-CHTA07-B**

PARTS LIST:

| | | | |
|---|--|----|--|
| 1 | Main Body | 2 | 12mm Plastic Retainers |
| 1 | Passenger/Right Brush Guard | 22 | 12mm x 24mm x 2.5mm Flat Washers |
| 1 | Driver/Left Brush Guard | 12 | 12mm Nylon Lock Nuts |
| 2 | LED lamp Bracket | 2 | 6-1.0mm x 20mm Button Head Allen Bolts |
| 2 | Frame Mounting Brackets | 2 | 6mm x 18mm x 1.6mm Flat Washers |
| 1 | Driver/Left Lower Support Brackets | 2 | 6mm Lock Washers |
| 1 | Passenger/Right Lower Support Brackets | 1 | Allen Wrench S=4 |
| 1 | Driver/Left Side Top Support Bracket | 18 | 8mm x 24mm OD x 2mm Flat Washers |
| 1 | Passenger/Right Side Top Support Bracket | 10 | 8mm x 25mm Button Head Allen Screws |
| 2 | 12-1.75mm x 140mm Hex Bolts | 8 | 8mm Nylon Lock Nuts |
| 2 | 12-1.75mm x 40mm Bolt Plates | 2 | 8mm Lock Washer |
| 8 | 12-1.75mm x 35mm Hex Bolts | 1 | Allen Wrench S=5 |



(2)LED lamp Bracket



Main Body



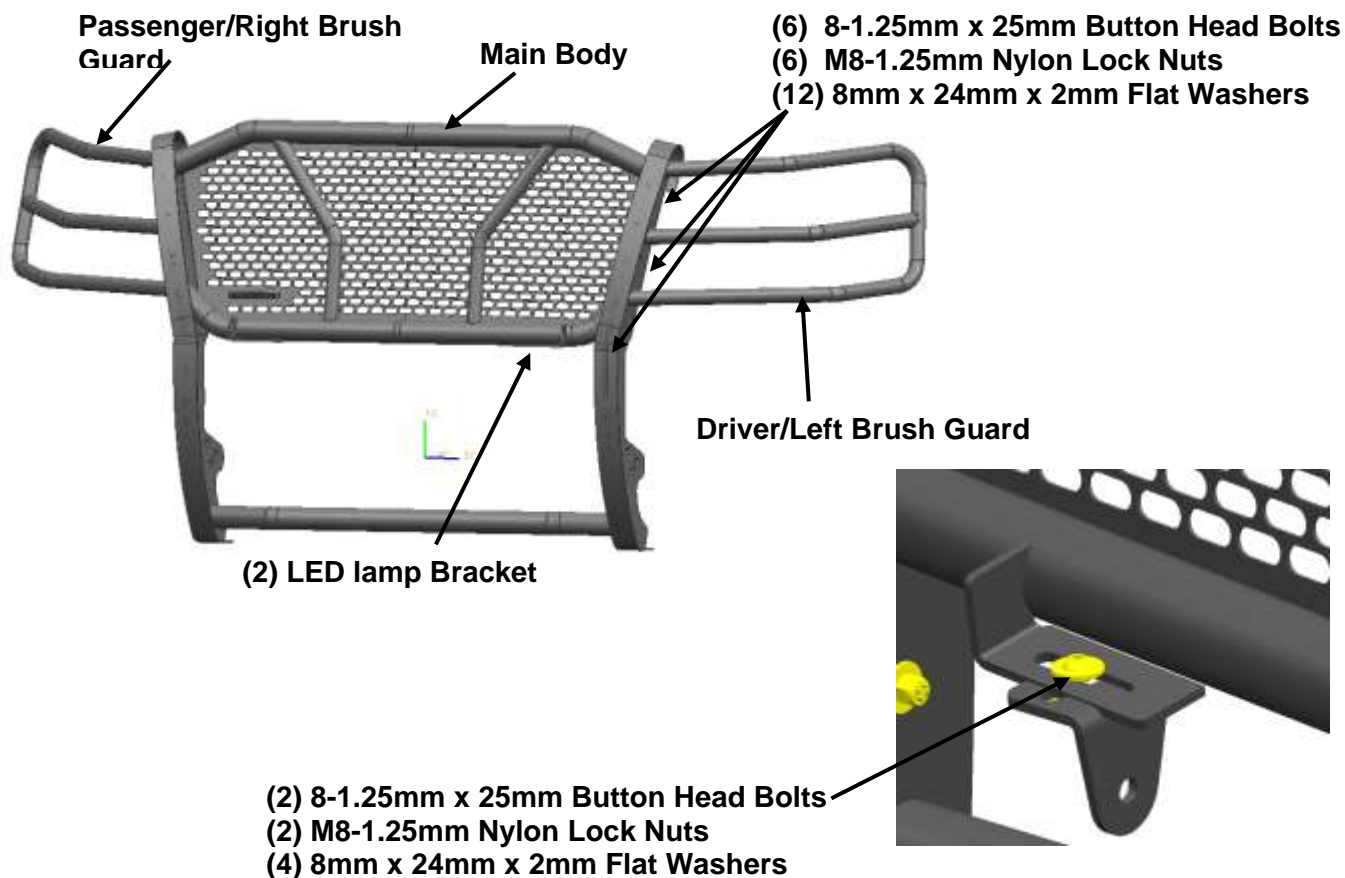
Passenger/Right Brush Guard



Driver/Left Brush Guard

Please Noted:

1. Before you install the Grille Guard on the vehicle, please install the Driver/Left Brush Guard and Passenger/Right Brush Guard on the main body first.
2. Before you install the LED Lamp on the main body please install the LED Lamp Bracket first.
3. If you are not going to install a LED Lamp, the LED Lamp Bracket installation is unnecessary. For main body installation follow the instruction as bellow.



IMPORTANT: The Grille Guard is designed to tilt forward to clear the attached grille on 2007-13 Tundra, 08-14 Sequoia models. To tilt the Grille Guard, the Quick Release Bolts on the Top Brackets must be released and the upper bolts on both Mounting Brackets may need to be loosened slightly. Make sure that all hardware is fully tightened after closing the hood. Carefully read Page 8, "Opening and Closing of Hood," before installing the Grille Guard.

PROCEDURE:

REMOVE CONTENTS FROM BOX. VERIFY ALL PARTS ARE PRESENT. READ INSTRUCTIONS CAREFULLY BEFORE STARTING INSTALLATION. ASSISTANCE IS RECOMMENDED.

CUTTING MAY BE REQUIRED.

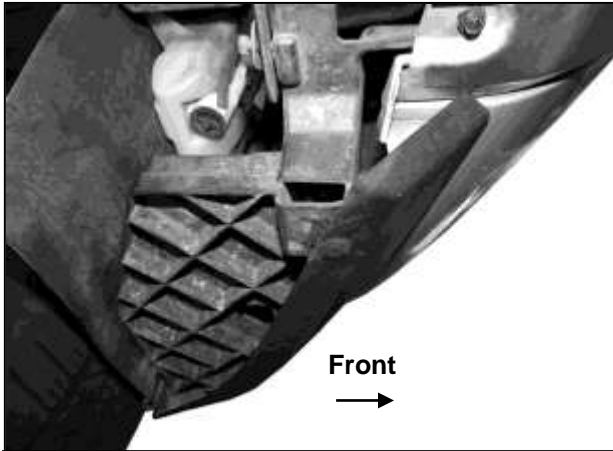
1. Start installation from under the front of the vehicle. Remove the plastic lower bumper reinforcements behind the outer ends of the bumper cover, **(Figure 1)**. Next, remove the factory tow hooks if equipped, **(Figures 2)**. **NOTE:** This Grille Guard is not compatible with factory tow hooks.
2. Locate the (3) holes in the forward end of the frame channel. Insert (1) Bolt Plate into the open end of the frame channel and out the rearmost hole in the side of the frame, **(Figure 3A & 3B)**.

Thread (1) 12mm Plastic Retainer onto the threaded end of the Bolt Plate to help hold the Bolt Plate in position during Bracket installation.

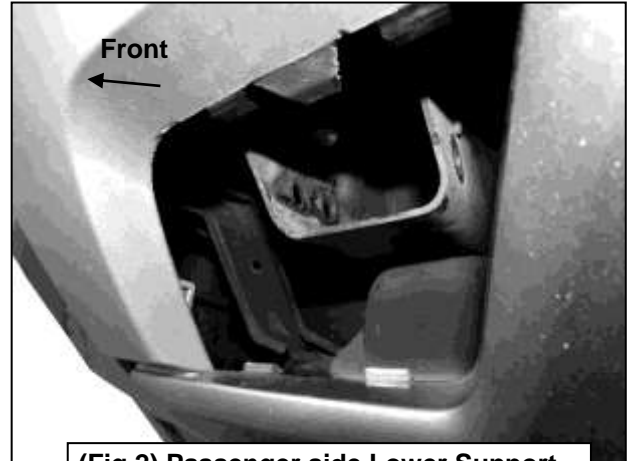
- a. On the passenger side, the Bolt Plate will install through the outer wall of the frame rail.
 - b. On the driver side, the Bolt Plate will install through the inner wall of the frame, **(Figures 4A & 4B)**.
3. Insert (1) Mounting Frame Bracket up from behind the passenger side of the bumper and out through the opening. Determine if the plastic trim rings need to be cut to clear the Mounting Frame Brackets. Repeat this Step for driver side Bracket fitment.
 - a. **On vehicles without tow hooks:** The bumper may have plastic fill covers completely blocking the openings in the bumper or an indented area only and no opening. Cut slots to clear the flat Mounting Brackets. Reinstall the fill covers if removed.
 - b. **On vehicles with tow hooks:** The bumper may have plastic trim around the tow hooks, **(Figure 2)**. Cut as required to clear the Mounting Brackets or do not reinstall.
4. Position the passenger side Bracket onto the outside of the frame channel over the Bolt Plate. Loosely attach the Bracket to the Bolt Plate using the included (1) 12mm Flat Washer and (1) 12mm Nylon Lock Nut, **(Figure 3B)**. Hold the Bracket in place and line up the mounting holes on the frame with the remaining hole in the bracket.
5. Select (1) Lower Support Bracket. Line up the forward hole in the Support Bracket with the hole in the inner wall of the frame channel. Insert (1) 12mm x 140mm Long Hex Bolt and (1) 12mm Flat Washer through the Support Bracket, both sides of the frame channel and out the remaining hole in the Mounting Bracket, **(Figures 3A, 3B & 3C)**. Secure with the included (1) 12mm Flat Washer and (1) 12mm Nylon Lock Nut.
6. Line up the single hole in the bottom of the Support Bracket with the hole in the Mounting Bracket. Bolt the (2) Brackets together with the included (1) 12mm x 35mm Hex Bolt, (2) 12mm Flat Washers and (1) 12mm Nylon Lock Nut, **(Figures 3C & 3D)**. Snug but do not fully tighten hardware at this time.
7. Move over to the driver side. Select (1) Lower Support Bracket and slide it over the Bolt Plate described in **Step 4, (Figure 4A & 4B)**. Secure the Bracket to the Bolt Plate with (1) 12mm Flat Washer and (1) 12mm Nylon Lock Nut. Do not tighten hardware.
8. Select (1) Mounting Bracket and hold it in place over the single hole in the outside of the frame channel. Insert (1) 12mm x 140mm Long Hex Bolt with (1) 12mm Flat Washer through the Mounting Bracket, both sides of the frame channel and through the Support Bracket. Secure with (1) 12mm Flat Washer and (1) 12mm Nylon Lock Nut. Bolt the (2) Brackets together with the included (1) 12mm x 35mm Hex Bolt, (2) 12mm Flat Washers and (1) 12mm Nylon Lock Nut as described in **Step 6, (Figures 4B & 4C)**. Snug but do not fully tighten hardware at this time.
9. Open the hood and locate the factory hex bolt on the passenger side of the top radiator support, **(Figure 5)**. Remove the factory hex bolt. Select the passenger side Top Support Bracket and line up the hole in the bent end with the mounting hole in the radiator support. Bolt the Support Bracket to the radiator support with the factory hex bolt, **(Figure 6A & 6B)**. Do not tighten at this time. Repeat this step to install the driver side Top Support Bracket.
10. With help, position the Extreme HD Grille Guard onto the outside of the Lower Mounting Brackets. Bolt the Grille Guard to the Mounting Brackets using (6) 12mm x 35mm Hex Bolts, (12) 12mm Flat Washers and (6) 12mm Nylon Lock Nuts, **(Figure 7)**.
11. Tilt the Grille Guard toward the vehicle and line up the (2) Top Support Brackets with the threaded holes in the bottom of the tube on the Grille Guard. Bolt the Brackets to the Grille Guard with the included (2) 6mm x 20mm Button Head Bolts, (2) 6mm Lock Washers and (2) 6mm Flat Washers, **(Figure 6C)**. Do not tighten hardware at this time.

- 12. Align and adjust the Grille Guard and tighten all hardware. Reinstall the (2) plastic bumper reinforcements removed in **Step 1**.
- 13. Do periodic inspections to the installation to make sure that all hardware is secure and tight.

To protect your investment, wax this product after installing. Regular waxing is recommended to add a protective layer over the finish. Do not use any type of polish or wax that may contain abrasives that could damage the finish. Mild soap may be used to clean the Extreme HD Grille Guard.



(Fig 1) Remove plastic bumper reinforcements (back of driver side pictured)

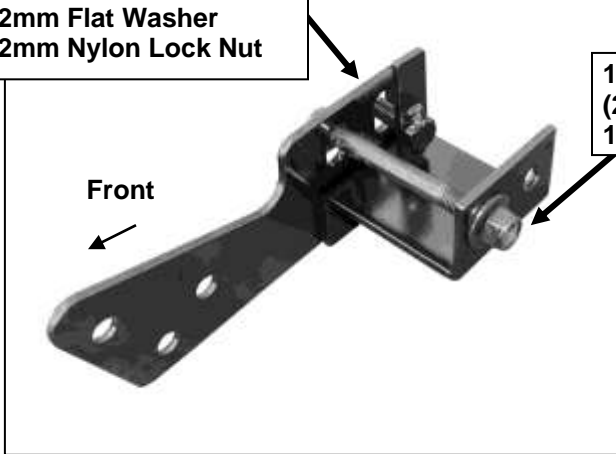


(Fig 2) Passenger side Lower Support and Frame Bracket Mounting Location

- 12mm x 35mm Bolt Plate
- 12mm Plastic Retainer
- 12mm Flat Washer
- 12mm Nylon Lock Nut

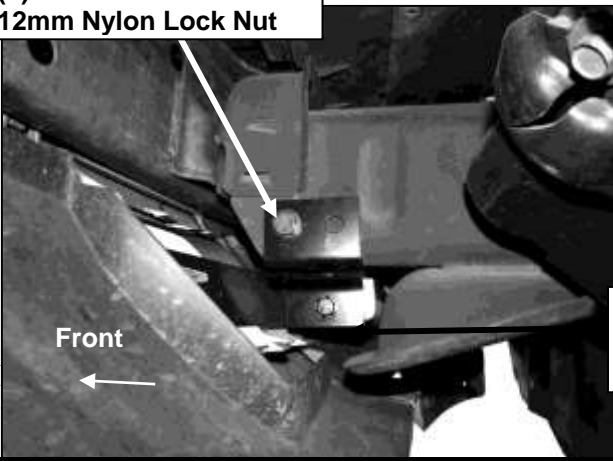
- 12mm x 140mm Hex Bolt
- (2) 12mm Flat Washers
- 12mm Nylon Lock Nut

- 12mm x 35mm Bolt Plate
- 12mm Plastic Retainer
- 12mm Flat Washer
- 12mm Nylon Lock Nut

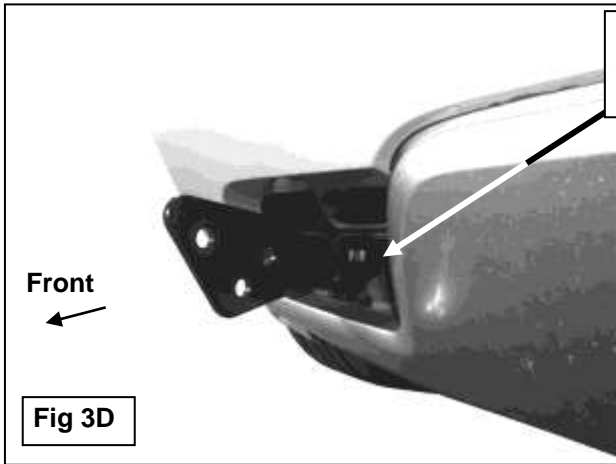


- 12mm x 140mm Hex Bolt
- (2) 12mm Flat Washers
- 12mm Nylon Lock Nut

- 12mm x 35m Hex Bolt
- (2) 12mm Flat Washer
- 12mm Nylon Lock Nut

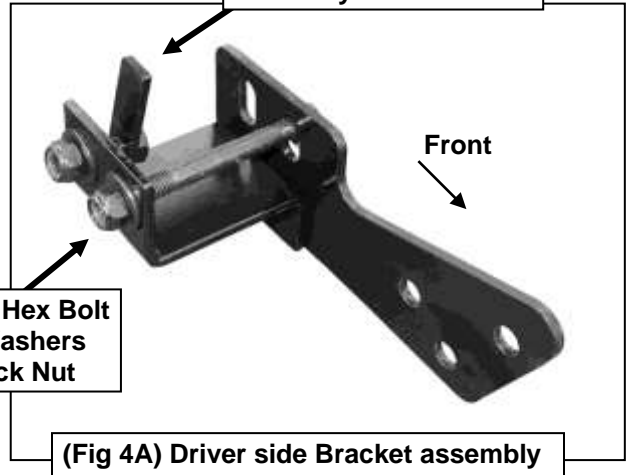


**(Fig 3C) Inner wall of passenger
side frame channel pictured**



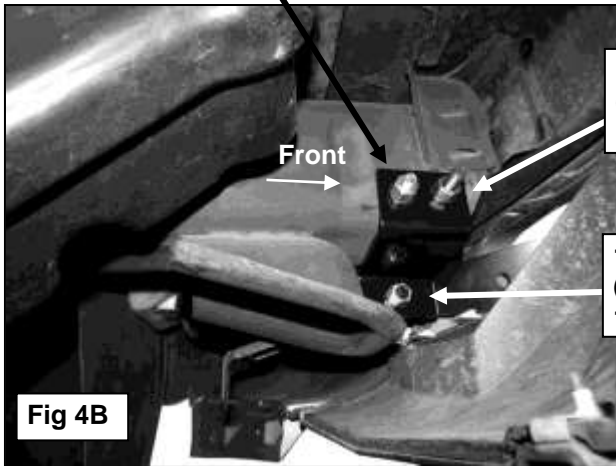
12mm x 35m Hex Bolt
(2) 12mm Flat Washer
12mm Nylon Lock Nut

12mm x 35m Bolt Plate
12mm Plastic Retainer
12mm Flat Washers
12mm Nylon Lock Nut



12mm x 35m Bolt Plate
12mm Plastic Retainer
12mm Flat Washer
12mm Nylon Lock Nut

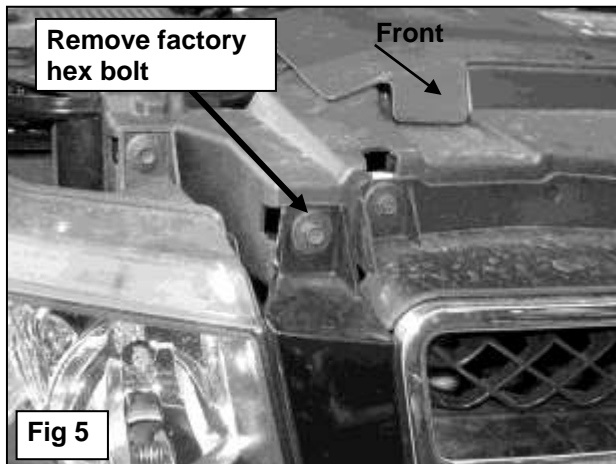
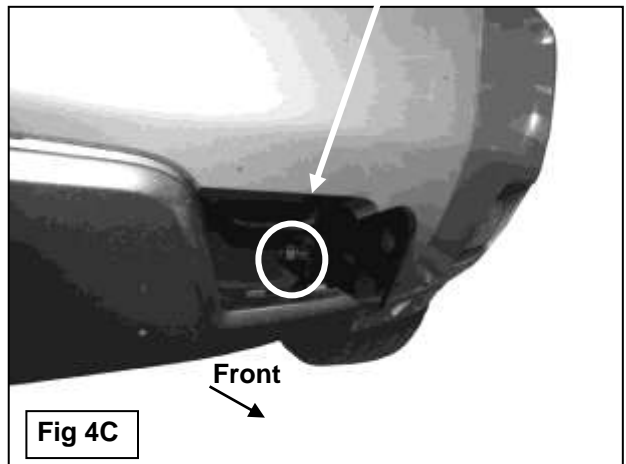
12mm x 140mm Hex Bolt
(2) 12mm Flat Washers
12mm Nylon Lock Nut



12mm x 140mm Hex Bolt
(2) 12mm Flat Washers
12mm Nylon Lock Nut

12mm x 35m Hex Bolt
(2) 12mm Flat Washer
12mm Nylon Lock Nut

12mm x 35m Hex Bolt
(2) 12mm Flat Washer
12mm Nylon Lock Nut



MODULAR RUGGED GRILLE GUARD
2007-2013 CHEVY AVALANCHE 1500, 2007-2014 CHEVY TAHOE/SUBURBAN 1500

MODULAR RUGGED GRILLE GUARD
2007-2013 CHEVY AVALANCHE 1500, 2007-2014 CHEVY TAHOE/SUBURBAN 1500
Passenger Side Installation Pictured

