



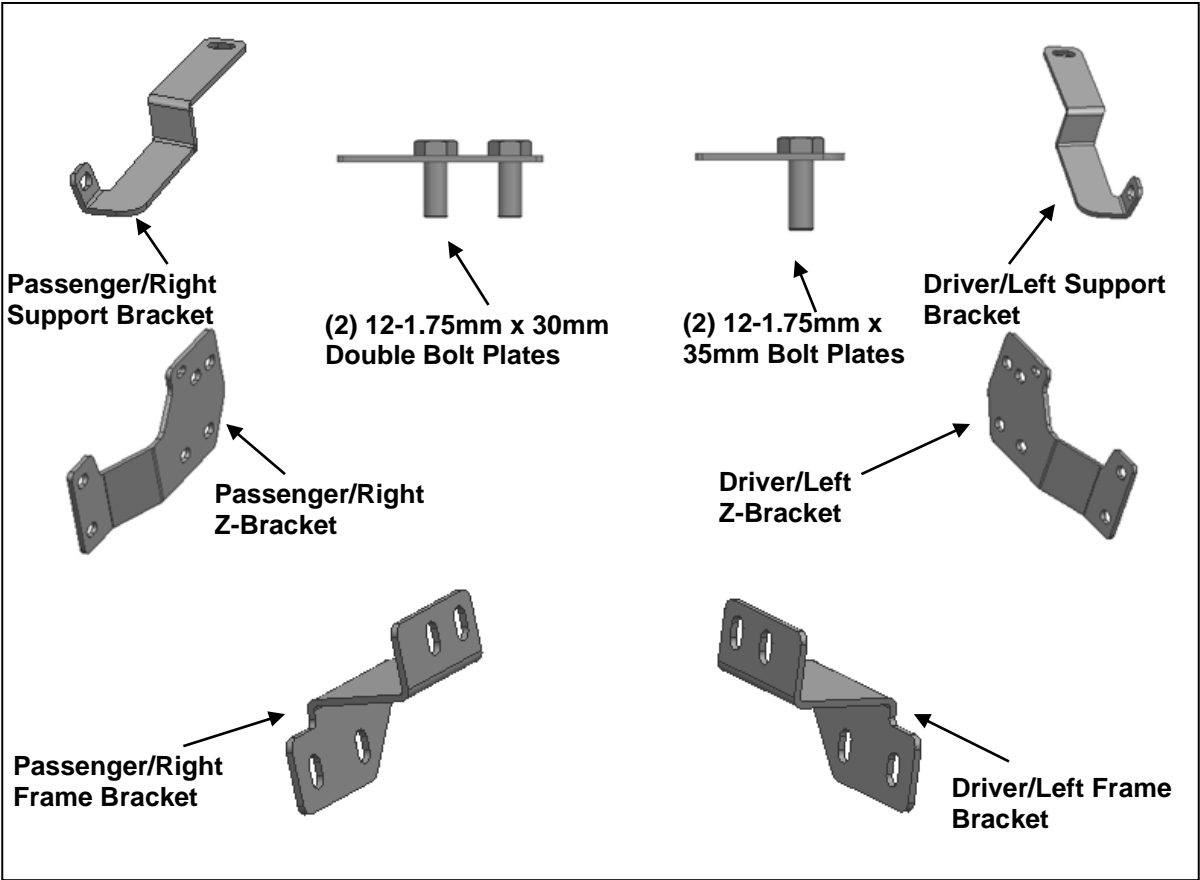
TEL: 1-866-XANATOS

INSTALLATION INSTRUCTIONS

**MODULAR RUGGED GRILLE GUARD
2019-2021 GMC SIERRA 1500
PART# RU-GMSI19-B**

PARTS LIST:

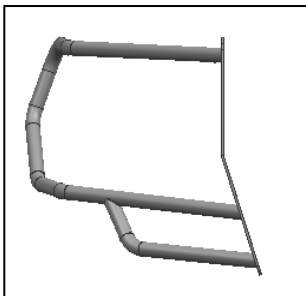
1	Main Body	14	12mm Lock Washers
1	Passenger/Right Brush Guard	14	12mm Hex Nuts
1	Driver/Left Brush Guard	6	12mm Plastic Retainers
2	LED lamp Bracket	2	10-1.5mm x 30mm Hex Bolts
1	Driver/Left Frame Bracket	4	10mm x 24mm OD x 2.2mm Flat Washers
1	Passenger/Right Frame Bracket	2	10mm Nylon Lock Nuts
1	Driver/Left Z-Bracket	2	8-1.25mm x 25mm Hex Bolts
1	Passenger/Right Z-Bracket	26	8mm x 24mm OD x 2mm Flat Washers
1	Driver/Left Support Bracket	4	8mm Lock Washers
1	Passenger/Right Support Bracket	2	8mm Hex Nuts
8	12-1.75mm x 35mm Hex Bolts	10	8-1.25mm Nylon Lock Nuts
2	12-1.75mm x 35mm Bolt Plates	12	8mm x 25mm Button Head Allen Screws
2	12-1.75mm x 30mm Double Bolt Plates	2	Foam Strips
16	12mm x 32mm OD x 3mm Flat Washers	1	2.5mm Hex Wrench
6	12mm x 24mm OD x 2.5mm Flat Washers	1	5mm Hex Wrench



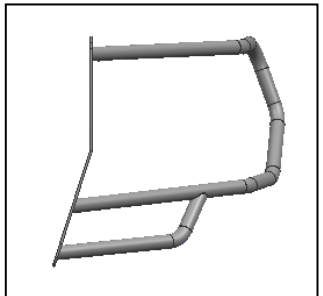
(2)LED lamp Bracket



Main Body



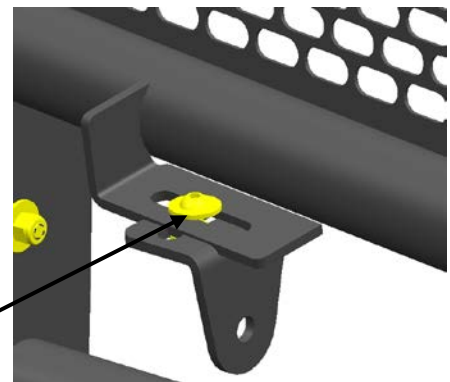
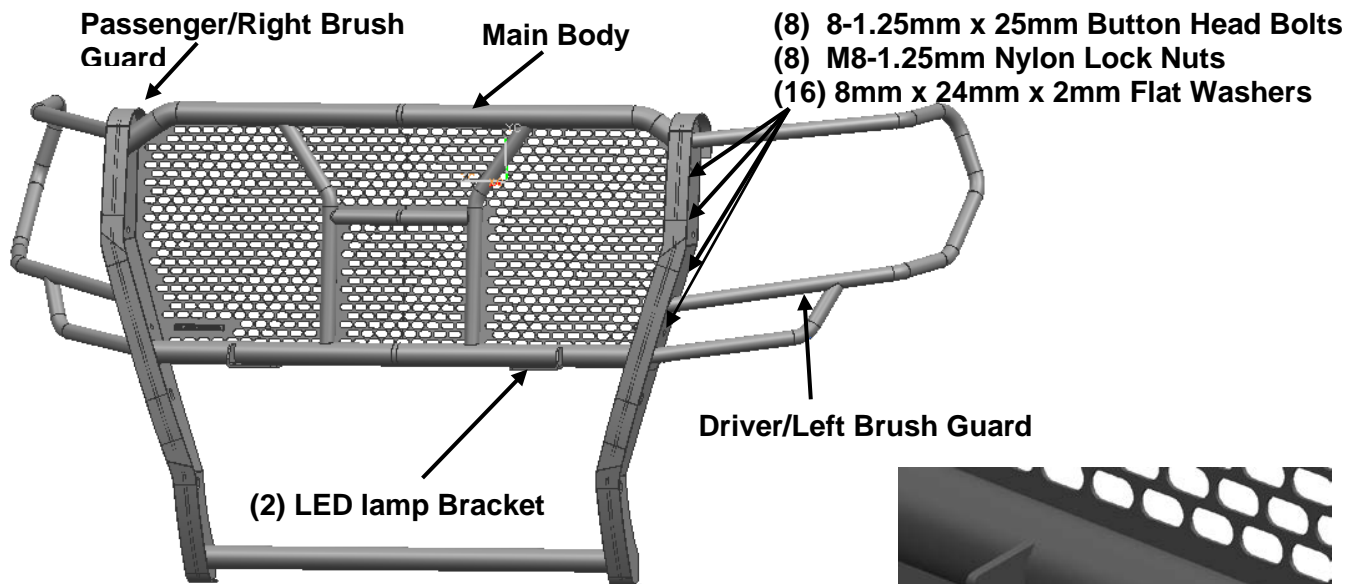
Passenger/Right Brush Guard



Driver/Left Brush Guard

Please Noted:

1. Before you install the Grille Guard on the vehicle, please install the Driver/Left Brush Guard and Passenger/Right Brush Guard on the main body first.
2. Before you install the LED Lamp on the main body please install the LED Lamp Bracket first.
3. If you are not going to install a LED Lamp, the LED Lamp Bracket installation is unnecessary. For main body installation follow the instruction as bellow.



IMPORTANT: The Grille Guard is designed to tilt forward to clear the attached grille on 2007-13 Tundra, 08-14 Sequoia models. To tilt the Grille Guard, the Quick Release Bolts on the Top Brackets must be released and the upper bolts on both Mounting Brackets may need to be loosened slightly. Make sure that all hardware is fully tightened after closing the hood. Carefully read Page 8, "Opening and Closing of Hood," before installing the Grille Guard.

PROCEDURE:

REMOVE CONTENTS FROM BOX AND VERIFY ALL PARTS ARE PRESENT. READ INSTRUCTIONS CAREFULLY. CUTTING MAY BE REQUIRED. ASSISTANCE IS HIGHLY RECOMMENDED. INSTALLATION MAY INTERFERE WITH FRONT MOUNTED SENSORS. IT MAY BE NECESSARY TO REMOVE THE BUMPER.

1. Remove the factory tow hook and plastic cover, if equipped, (Figures 1 & 2).
2. **For models not equipped with tow hooks**, cut out the indented area in both sides of the plastic bumper insert to clear the Brackets as pictured, (Figure 3). **IMPORTANT:** Make several small cuts for best fit. Do not cut through the top or bottom edge of the panel.
3. Select the Driver/Left Frame Bracket. Line up the holes in the Frame Bracket with the holes in the outer frame for the tow hook.

Models without tow hooks:

- a. Select (1) 12mm Bolt Plate. Insert the Bolt Plate into the end of the frame, **(Figure 4)**. Thread (1) 12mm Plastic Retainers onto the Bolt Plate to hold it in place, **(Figure 5)**.
- b. Attach the Frame Bracket to the Bolt Plate with (1) 12mm x 24mm Flat Washer, (1) 12mm Lock Washer and (1) 12mm Hex Bolt, **(Figure 6)**. Do not tighten hardware at this time.
- c. Attach the Frame Bracket to the frame with (1) 8mm Hex Bolt, (2) 8mm Flat Washers, (1) 8mm Lock Washer and (1) 8mm Hex Nut, **(Figures 6 & 7)**.
- d. Select (1) 12mm Double Bolt Plate, **(Figure 8)**. Insert the Double Bolt Plate into the inner side of the frame. Thread (2) 12mm Plastic Retainers onto the Double Bolt Plate to hold it in place.
- e. Select the Drive/Left Z-Bracket. Attach the Z-Bracket to the Double Nut Plate with (2) 12mm x 24mm Flat Washers, (2) 12mm Lock Washers and (2) 12mm Hex Nuts, **(Figure 8)**. Do not tighten hardware at this time.
- f. Attach the bottom of the Z-Bracket to the Frame Bracket with (2) 12mm Hex Bolts, (4) 12mm x 32mm Flat Washers, (2) 12mm Lock Washers and (2) 12mm Hex Nuts, **(Figures 9 & 10)**. Do not tighten hardware at this time.

Models with tow hooks:

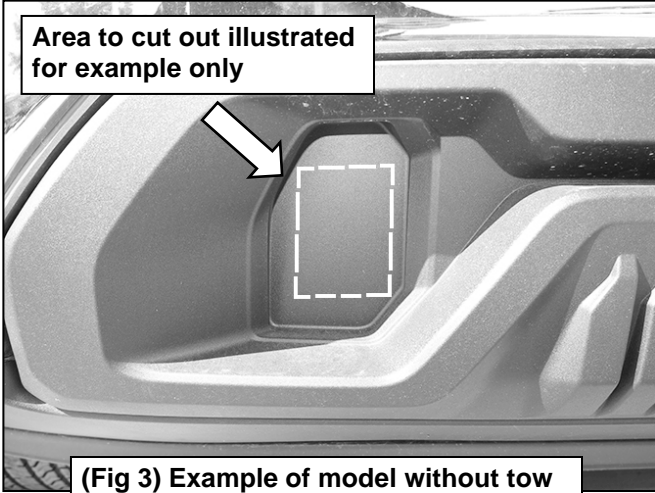
- a. Reuse the factory hardware to attach the Driver/Left Frame Bracket and the Driver/Left Z-Bracket to the end of the frame.
 - b. Attach the bottom of the Z-Bracket to the Frame Bracket with (2) 12mm Hex Bolts, (4) 12mm x 32mm Flat Washers, (2) 12mm Lock Washers and (2) 12mm Hex Nuts, **(Figures 9 & 10)**. Do not tighten hardware at this time.
4. Repeat **Steps 2 & 3** to attach the Passenger/Right Frame Bracket and Z-Bracket.
 5. Open the hood and carefully remove the grille from the vehicle. **NOTE:** Grille is held in place with screws at the top and several clips. Remove the screws and firmly pull the grille straight out from the vehicle to release the grille from clips, **(Figure 11)**.
 6. Move up to the top of the bumper. Select the Driver/left Support Bracket. Apply a layer of the included Adhesive Backed Foam Tape to the bottom of the Bracket. Trim Foam for best fit.
 7. Lift the flap on top of the bumper to locate the factory hex bolt attaching the top of the bumper to the inner bumper bracket. Temporarily remove the hex bolt, **(Figure 12)**. Reuse the factory hex bolt to attach the Support Bracket to the top of the bumper, **(Figure 13)**. Do not tighten hardware at this time.
 8. Repeat **Steps 6 & 7** to attach the Passenger/Right Support Bracket.
 9. With assistance, hold the Grille Guard up in position on the outside of the Mounting Brackets, **(Figure 14)**. Attach the Grille Guard to the Frame Brackets with (4) 12mm Hex Bolts, (8) 12mm Flat Washers, (4) 12mm Lock Washers and (4) 12mm Hex Nuts, **(Figures 14 & 15)**. Do not tighten hardware at this time.
 10. Attach the Support Brackets to the Grille Guard with (2) 10mm Hex Bolts, (4) 10mm Flat Washers and (2) 10mm Nylon Lock Nuts, **(Figures 14 & 15)**. Check the Grille guard alignment with the vehicle. Adjust as required then fully tighten the Top and Frame Bracket to vehicle hardware only. Do not fully tighten the Grille Guard to Bracket hardware at this time.
 11. Reinstall the grille. **NOTE:** Loosen the hardware attaching the Grille Guard to the Brackets and tilt the Grille Guard forward to make room to reinstall the grille. **IMPORTANT:** Support Bracket to back of bumper hardware must be fully tightened before reinstalling the grille.
 12. Level and adjust the Grille Guard and fully tighten all hardware.
 13. On models with grille mounted front camera, remove the center panel from the Grille Guard.
 14. Do periodic inspections to the installation to make sure that all hardware is secure and tight.

To protect your investment, wax this product after installing. Regular waxing is recommended to add a protective layer over the finish. Do not use any type of polish or wax that may contain abrasives that could damage the finish. Mild soap may be used also to clean the Grille Guard.

Driver/Left Side Installation Pictured

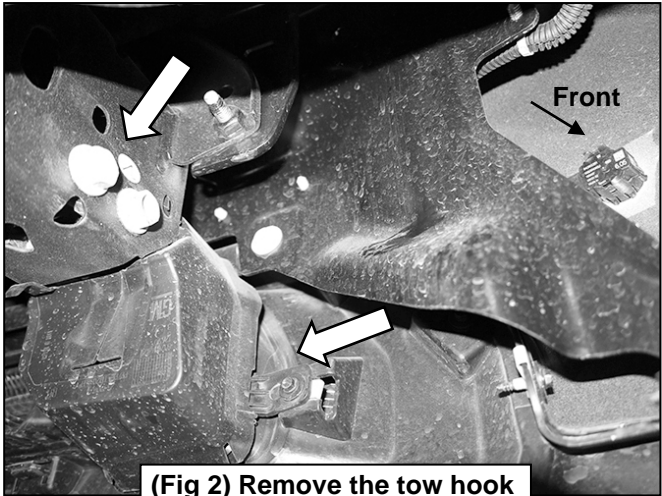


(Fig 1) Passenger/Right tow hook pictured

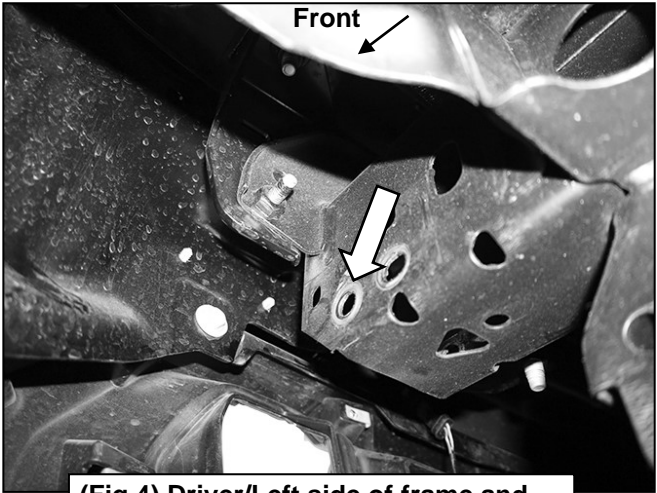


Area to cut out illustrated for example only

(Fig 3) Example of model without tow hooks, passenger/right side pictured

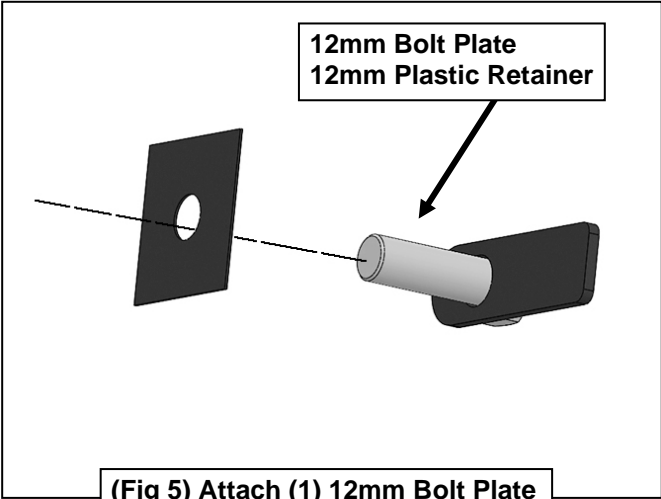


(Fig 2) Remove the tow hook and the plastic cover

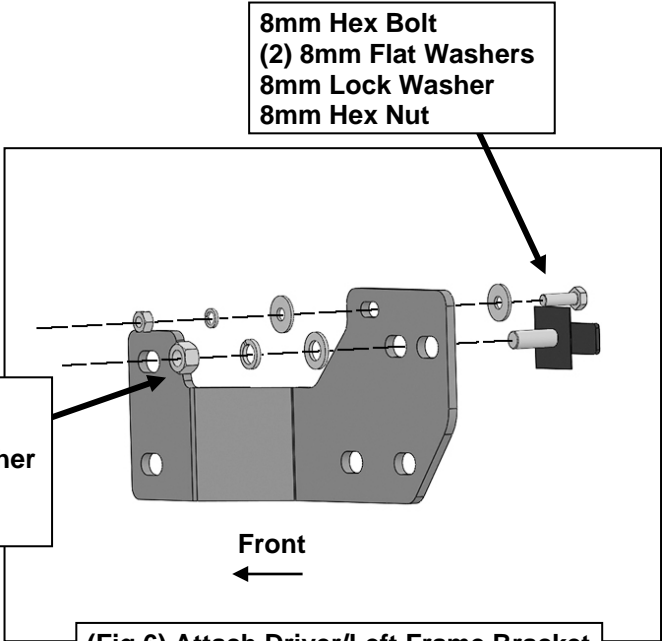


(Fig 4) Driver/Left side of frame and bumper pictured from behind bumper

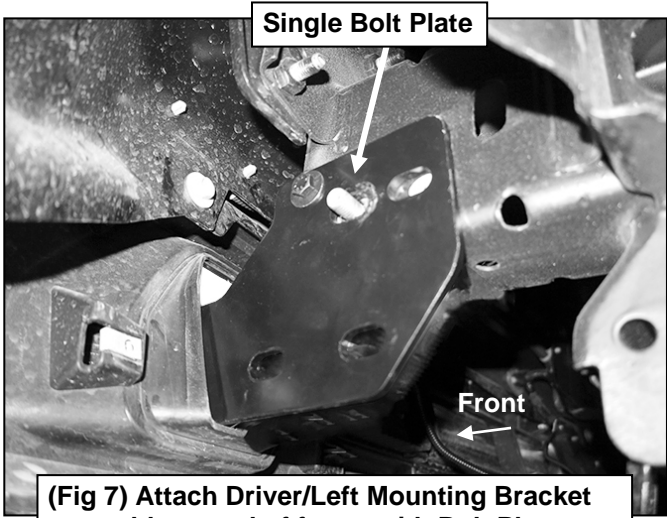
Driver/Left Side Installation Pictured



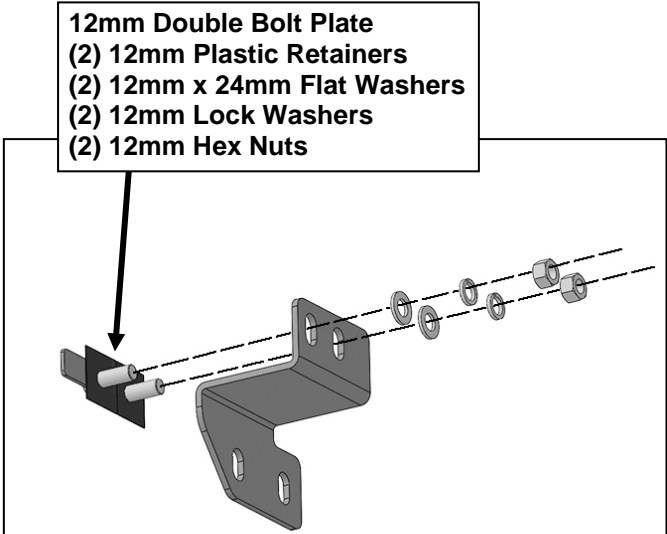
(Fig 5) Attach (1) 12mm Bolt Plate to the outer side of the frame



(Fig 6) Attach Driver/Left Frame Bracket to end of frame with Bolt Plate

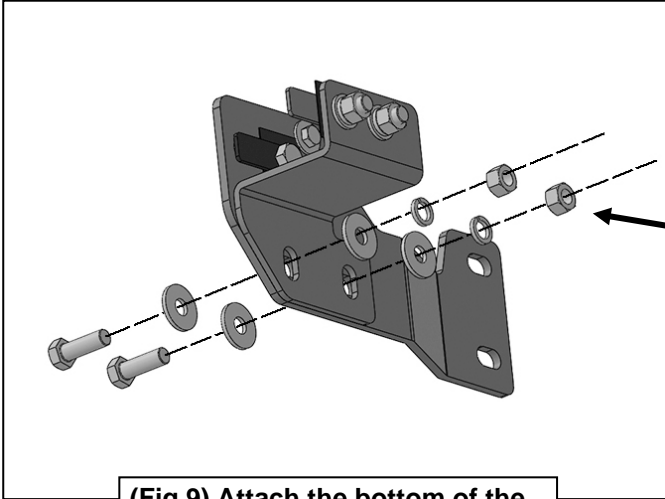


(Fig 7) Attach Driver/Left Mounting Bracket assembly to end of frame with Bolt Plates



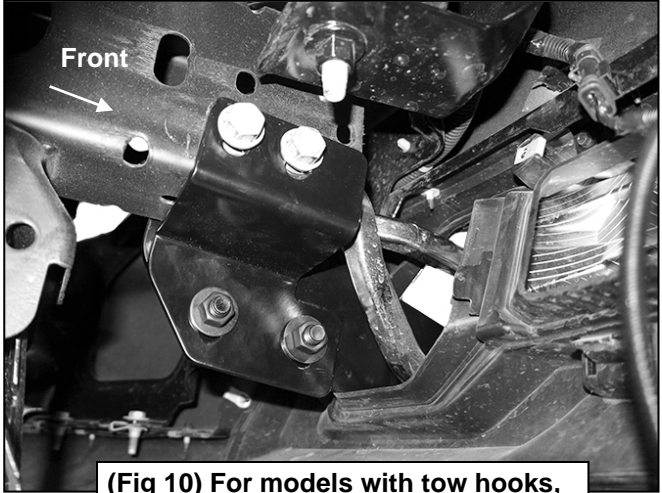
(Fig 8) Attach Driver/Left Z-Bracket to the inner face of the end of frame with Bolt Plates

Driver/Left Side Installation Pictured



(Fig 9) Attach the bottom of the Z-Bracket to the Frame Bracket

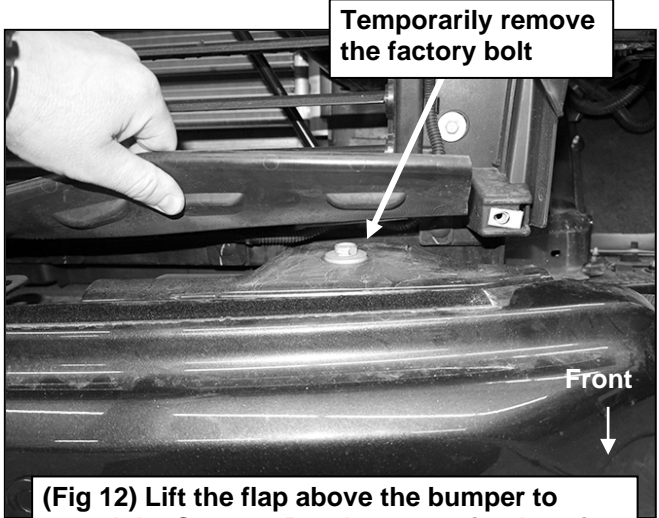
- (2) 12mm Hex Bolts
- (4) 12mm x 32mm Flat Washers
- (2) 12mm Lock Washers
- (2) 12mm Hex Nuts



(Fig 10) For models with tow hooks, reuse the factory hardware to attach the tow hook and Z-Bracket

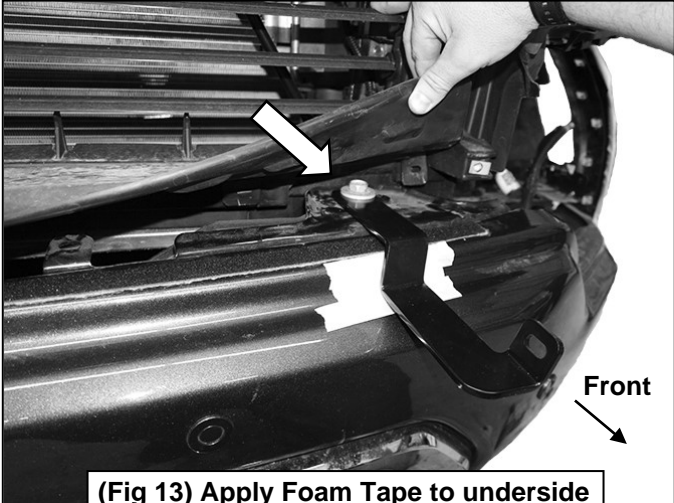


(Fig 11) Remove plastic cover from top of grille



(Fig 12) Lift the flap above the bumper to reveal the Support Bracket mounting location

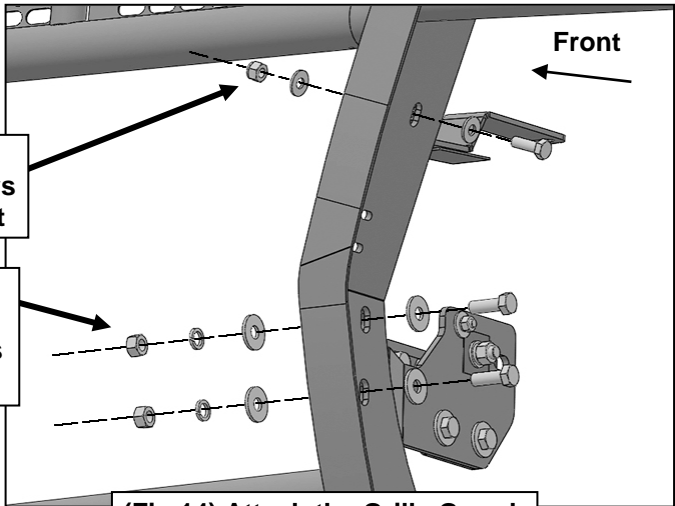
Driver/Left Side Installation Pictured



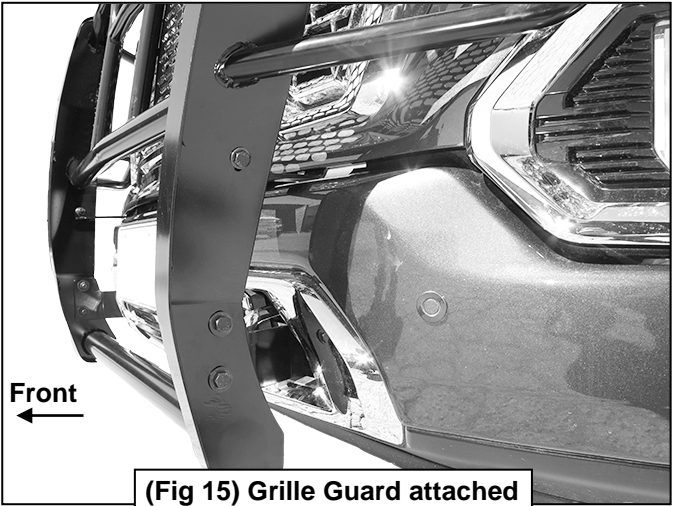
(Fig 13) Apply Foam Tape to underside of Driver/left Support Bracket. Reuse the factory bolt to attach the Bracket to the top of the bumper

- 10mm Hex Bolt
- (2) 10mm Flat Washers
- 10mm Nylon Lock Nut

- (2) 12mm Hex Bolts
- (4) 12mm Flat Washers
- (2) 12mm Lock Washers
- (2) 12mm Hex Nuts



(Fig 14) Attach the Grille Guard to the Driver/Left Brackets



(Fig 15) Grille Guard attached to the Driver/Left Brackets