



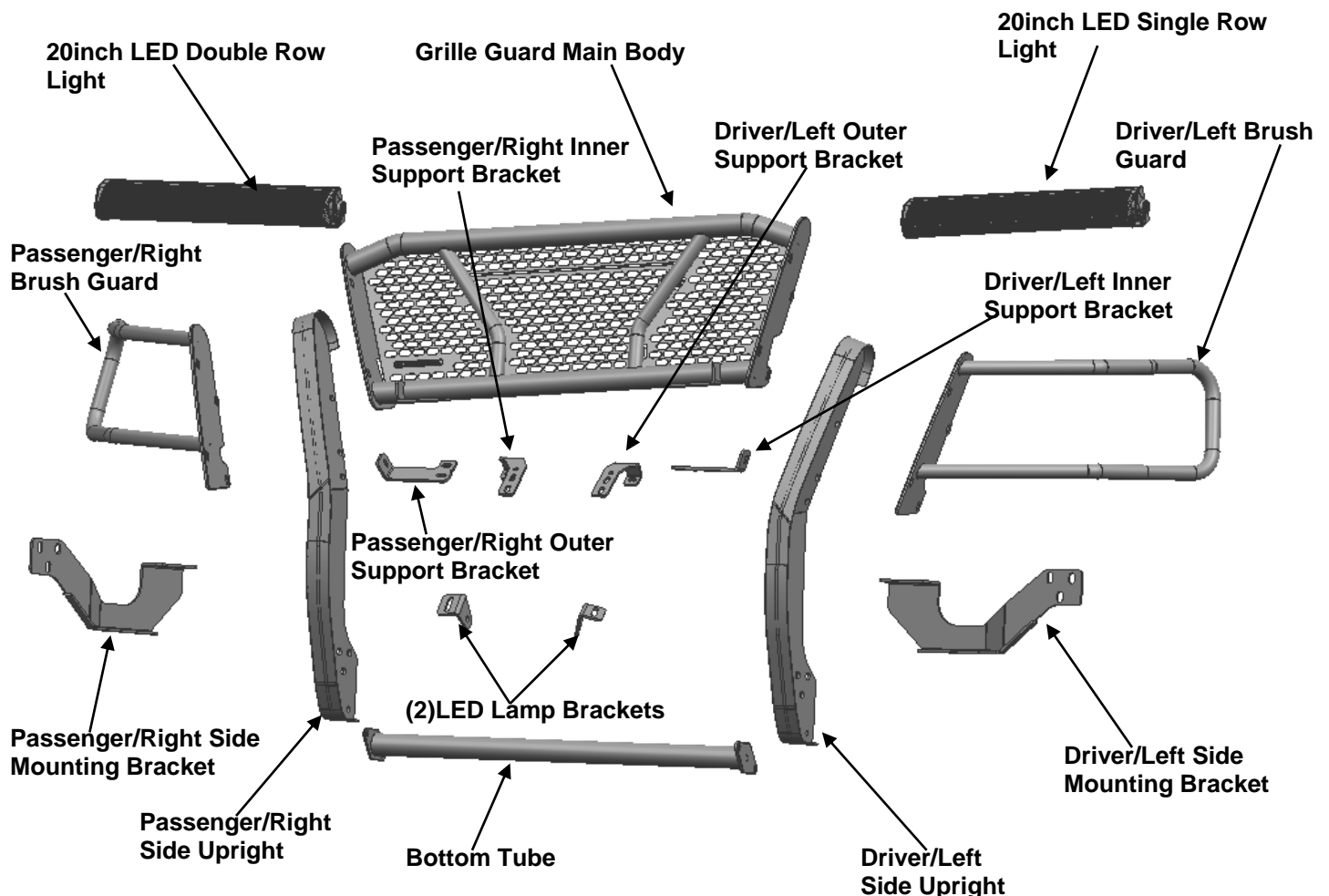
TEL: 1-866-XANATOS

INSTALLATION INSTRUCTIONS

**MODULAR RUGGED GRILLE GUARD
2022-2023 NISSAN FRONTIER
PART# RU-NIFR22-B**

PARTS LIST:

| | | | |
|----|---------------------------------------|----|---------------------------------------|
| 1 | Grille Guard Main Body | 6 | 8-1.25mm x 30mm Button Head Bolt |
| 1 | Bottom Tube | 2 | 8-1.25mm x 30mm Hex Bolt |
| 1 | Driver/Left Side Upright | 8 | 8mm Nylon Lock Nut |
| 1 | Passenger/Right Side Upright | 24 | 10mm x 24mm x 2.2mm Flat Washer |
| 1 | Driver/Left Brush Guard | 4 | 10-1.5mm x 30mm Button Head Bolt |
| 1 | Passenger/Right Brush Guard | 12 | 10mm Nylon Lock Nut |
| 1 | Driver/Left Side Mounting Bracket | 8 | 10-1.5mm x 35mm Button Head Bolt |
| 1 | Passenger/Right Side Mounting Bracket | 10 | 12mm Lock Washer |
| 1 | Driver/Left Inner Support Bracket | 16 | 12mm x 37mm x 3mm Flat Washer |
| 1 | Passenger/Right Inner Support Bracket | 6 | 12mm Hex Nut |
| 1 | Driver/Left Outer Support Bracket | 6 | 12-1.75mm x 35mm Hex Bolt |
| 1 | Passenger/Right Outer Support Bracket | 4 | 12-1.25mm x 45mm Fine Thread Hex Bolt |
| 2 | 8mm Nut Plate (65mm x 21mm x 5mm) | 1 | Allen Wrench S=4 |
| 2 | LED Lamp Bracket | 1 | Allen Wrench S=5 |
| 4 | 8mm Lock Washer | 1 | Allen Wrench S=6 |
| 20 | 8mm x 24mm x 2mm Flat Washer | 1 | 20inch LED Single Row Light |
| 2 | 8-1.25mm x 16mm Button Head Bolt | 1 | 20inch LED Double Row Light |
| 2 | 8-1.25mm x 25mm Button Head Bolt | | |

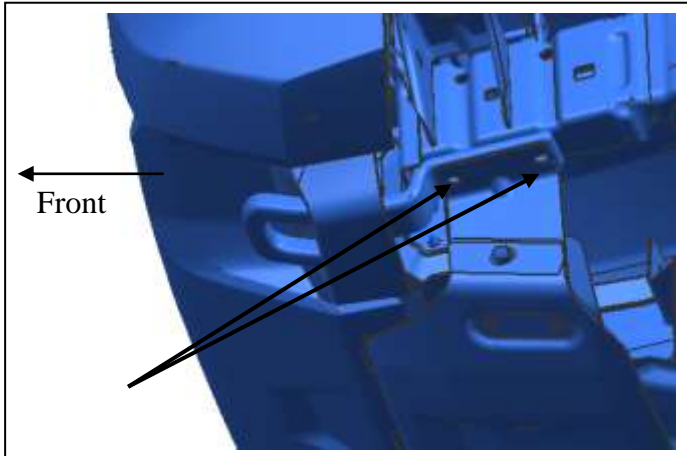


PROCEDURE: REMOVE CONTENTS FROM BOX. VERIFY ALL PARTS ARE PRESENT. READ INSTRUCTIONS CAREFULLY BEFORE STARTING INSTALLATION. DRILLING IS REQUIRED. ASSISTANCE IS RECOMMENDED.

1. Starting on the Driver/Left Side of the vehicle.
2. Attach the Driver/Left Side Mounting Bracket to the vehicle with 12-1.25mm x 45mm Fine Thread Hex Bolts, (2) 12mm x 37mm x 3mm Flat Washers and (2) 12mm Lock Washers (**Figures 1&2**). Do not tighten hardware..
3. Repeat **Steps 2** to install the Passenger/Right Side Mounting Bracket.
4. Attach the Driver/Left Inner Support Bracket with the included (1) 8mm Nut Plate (65mm x 21mm x 5mm) , (1) 8-1.25mm x 30mm Hex Bolts, (1) 8mm Lock Washer and (1) 8mm x 24mm x 2mm Flat Washer (**Figure 3&4**).
5. Attach Driver/Left Outer Support Bracket to Driver/Left Inner Support Bracket with the included (2) 8-1.25mm x 30mm Button Head Bolts, (4) 8mm x 24mm x 2mm Flat Washers and (2) 8mm Nylon Lock Nuts (**Figure 5**).
6. Repeat **Steps 4-5** to install the Passenger/Right Side Support Bracket.
7. With assistance, position the Driver/Left Side Upright up to the outside of the Driver/Left Side Mounting Bracket. Attach the Driver/Left Side Upright to the Brackets with the included (3) 12-1.75mm x 35mm Hex Bolts, (6) 12mm x 37mm x 3mm Flat Washers, (3) 12mm Lock Washers and (3) 12mm Hex Nuts, (**Figure 6**). Do not tighten hardware. Repeat this Step for Passenger Side Mounting Bracket installation.
8. Attach the Driver/Left Outer Support Bracket to the inside of the Driver/Left Side Upright with the included (1) 8-1.25mm x 30mm Button Head Bolt, (2) 8mm x 24mm x 2mm Flat Washers and ((1) 8mm Nylon Lock Nut (**Figures 7 & 8**). Do not tighten hardware at this time. Repeat **Step 8** to attach the Passenger/Right Outer Support Bracket.
9. Attach the Bottom Tube to the inside of the Driver/Left Side Upright with the included (2) 10-1.5mm x 30mm Button Head Bolts, (4) 10mm x 24mm x 2.2mm Flat Washers and ((2) 10mm Nylon Lock Nuts, (**Figures 9**). Do not tighten hardware at this time. Repeat this Step to attach the Passenger/Right Side Upright.
10. Select the Driver/Left Brush Guard and Driver/Left Side Upright, (**Figure 10**). Attach the Driver/Left Brush Guard and Driver/Left Side Upright to the outside of the Grille Guard Main Body with the included (4) 10-1.5mm x 35mm Button Head Bolts , (8) 10mm x 24mm x 2.2mm Flat Washers and (4) 10mm Nylon Lock Nuts. Fully tighten hardware. Repeat this Step to attach the Passenger/Right Brush Guard.
11. Align the Grille Guard Main Body properly and fully tighten all hardware.
12. **LED Lamp Bracket installation** (light sold separately).
 - (1). Before you install the LED Lamp on the main body please install the LED Lamp Bracket first.
 - (2). If you are not going to install a LED Lamp, the LED Lamp Bracket installation is unnecessary.
 - a. Select (1) LED Lamp Bracket, (**Figure 11**). Attach the Bracket to the mounting tab on the Grille Guard Main Body with the included (2) 8-1.25mm x 25mm Button Head Bolts, (4) 8mm x 24mm x 2mm Flat Washers and (2) 8mm Nylon Lock Nuts. Repeat this Step to install the remaining Bracket. Leave loose at this time.
 - b. Use the hardware included with the light or the supplied (2) 8-1.25mm x 16mm Button Head Bolts, (2) 8mm x 24mm x 2mm Flat Washers and (2) 8mm Lock Washers to attach the LED light assembly to the LED Lamp Bracket, (**Figure 11**). Do not fully tighten hardware at this time.
 - c. Follow light manufacturer's instructions to properly wire the light to the electrical system.
 - d. Adjust light and fully tighten hardware.
13. Do periodic inspections to the installation to make sure that all hardware is secure and tight.

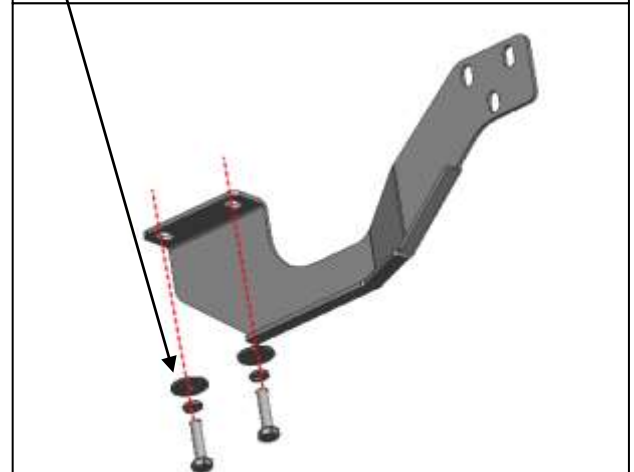
To protect your investment, Do not use any type of polish or wax that may contain abrasives that could damage the finish. Mild soap may be used to clean the Grille Guard.

Driver/left Side Installation Pictured



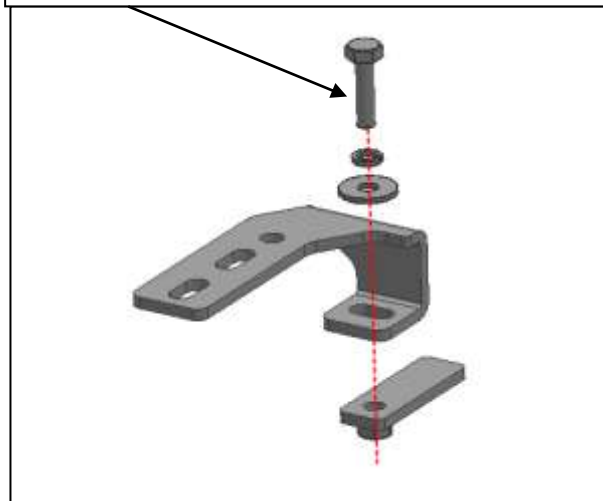
(Fig 1) the driver/left side of the vehicle

- (2) 12-1.25mm x 45mm Fine Thread Hex Bolts
- (2) 12mm x 37mm x 3mm Flat Washers
- (2) 12mm Lock Washers



(Fig 2) Driver/Left Side Mounting Bracket installed

- (1) 8mm Nut Plate (65mm x 21mm x 5mm)
- (1) 8-1.25mm x 30mm Hex Bolt
- (1) 8mm Lock Washer
- (1) 8mm x 24mm x 2mm Flat Washer

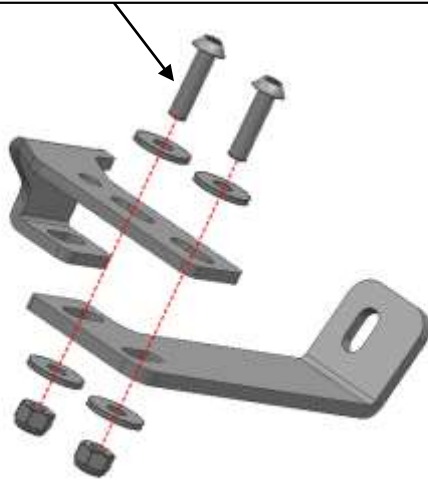


(Fig 3) Driver/Left Inner Support Bracket installed.



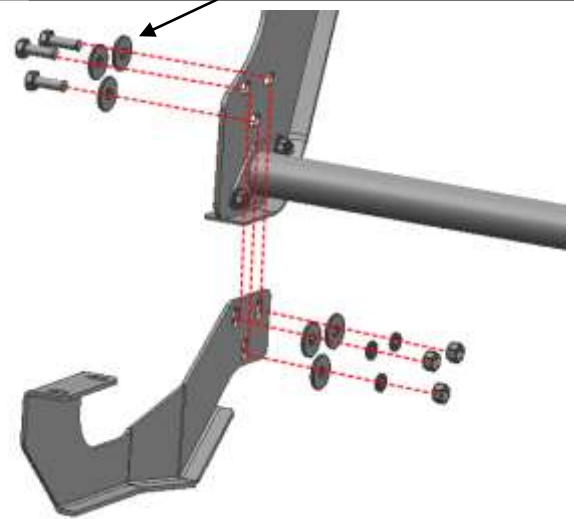
(Fig 4) Attach Driver/Left Inner Support Bracket to vehicle

- (2) 8-1.25mm x 30mm Button Head Bolts
- (4) 8mm x 24mm x 2mm Flat Washers
- (2) 8mm Nylon Lock Nuts



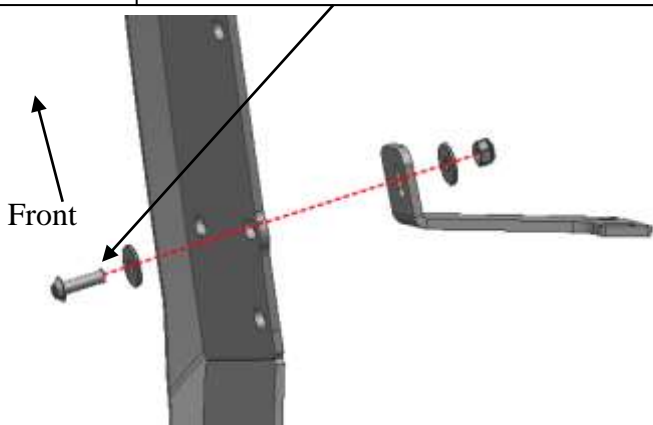
(Fig 5) Attach Driver/Left Outer Support Bracket to Driver/Left Inner Support Bracket

- (3) 12-1.75mm x 35mm Hex Bolts
- (6) 12mm x 37mm x 3mm Flat Washers
- (3) 12mm Lock Washers
- (3) 12mm Hex Nuts



(Fig 6) Attach Driver/Left Side Upright to Driver/Left Side Mounting Bracket

- (1) 8-1.25mm x 30mm Button Head Bolt
- (2) 8mm x 24mm x 2mm Flat Washers
- (1) 8mm Nylon Lock Nut

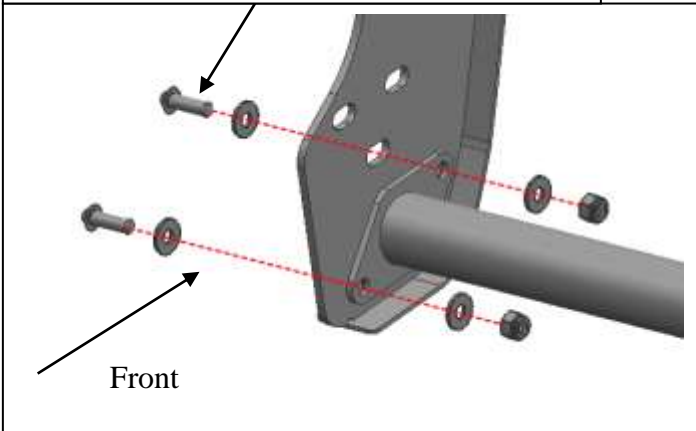


(Fig 7) Attach Driver/Left Outer Support Bracket to Upright



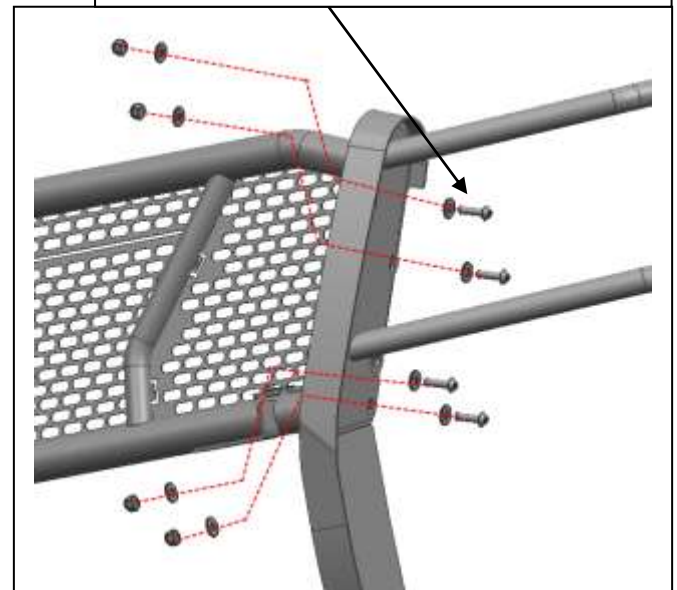
**(Fig 8) Attach Driver/Left Outer Support
Bracket to Upright**

- (2) 10-1.5mm x 30mm Button Head Bolts
- (4) 10mm x 24mm x 2.2mm Flat Washers
- (2) 10mm Nylon Lock Nuts



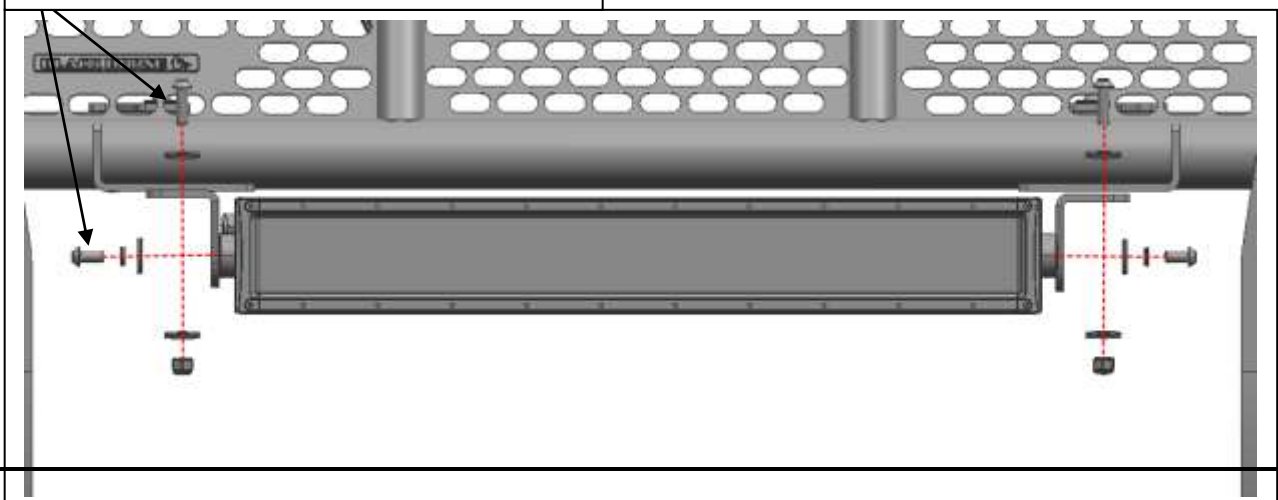
(Fig 9) Bottom Tube installed

- (4) 10-1.5mm x 35mm Button Head Bolts
- (8) 10mm x 24mm x 2.2mm Flat Washers
- (4) 10mm Nylon Lock Nuts



**(Fig 10) Attach Left Side Upright to Grille Guard
Main Body**

- (2) 8-1.25mm x 25mm Button Head Bolts
- (6) 8mm x 24mm x 2mm Flat Washers
- (2) 8mm Nylon Lock Nuts
- (2) 8-1.25mm x 16mm Button Head Bolts
- (2) 8mm Lock Washers



(Fig 11) LED Light Installation