



**INSTALLATION INSTRUCTIONS**  
**VIGOR ROLL BAR FOR 05-20 NISSAN FRONTIER (WITH**  
**ADJUSTABLE SQUARE LIGHT)**  
**PART # VIRB07B**


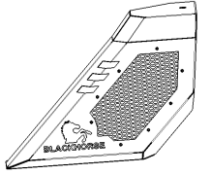


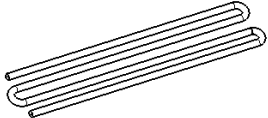
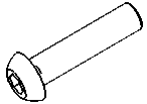


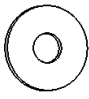

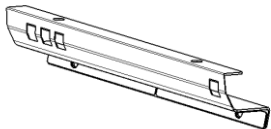

## Before Installation

- Please read the instruction completely for easy installation, which will also help you to avoid scratches or other potential damages to your appealing car.
- The figures here are for reference only and may have differences with the actual product you received, however they share the same assembly way.

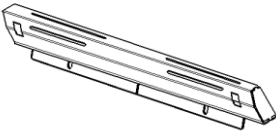
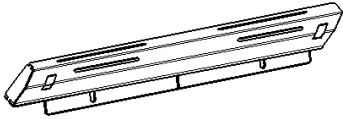

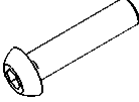
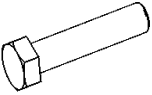


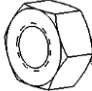

## Care and Cleaning

- Mild soap may be used also to clean the Product.
- Please periodically check and retighten all the hardware and clean the investment for a refresh look.

## Parts list

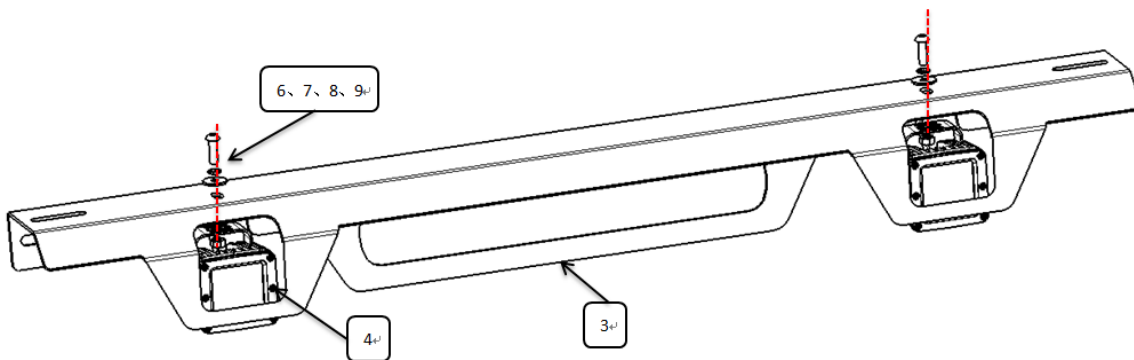
NO.	QTY	NAME	NO.	QTY	NAME
①	1	 Left installation part	②	1	 Right installation part
③	1	 Connection plate	④	2	 LED light
⑤	1	 LED light line	⑥	6	 Button head allen bolts M8_25
⑦	6	 Hex nut M8	⑧	6	 Spring washer D8
⑨	10	 Flat washer D8	⑩	1	 Allen wrench S=5
⑪	1	 Front bracket (L)	⑫	1	 Front bracket (R)

VIGOR ROLL BAR FOR 05-20 NISSAN FRONTIER (WITH ADJUSTABLE SQUARE LIGHT)

⑬	1		⑭	1	
		Rear bracket (L)			Rear bracket (R)
⑮	1		⑯	4	
		Allen wrench S=6			Button head allen bolts M10_30
⑰	8		⑱	16	
		Hex bolt M10_25			Flat washer D10
⑲	12		⑳	4	
		Spring washer D10			Hex nut M10
㉑	8		㉒		
		M10 Nut block			

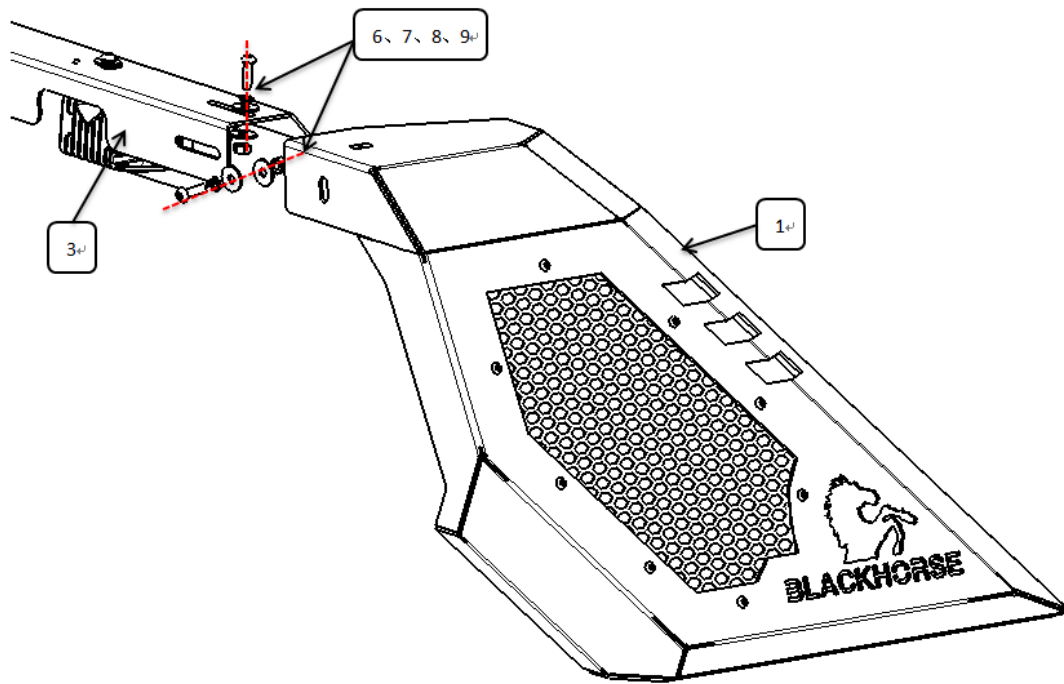
## Installation Steps

**Step1:** Install ③ and ④ with ⑥ ⑦ ⑧ ⑨ as below diagram shows.



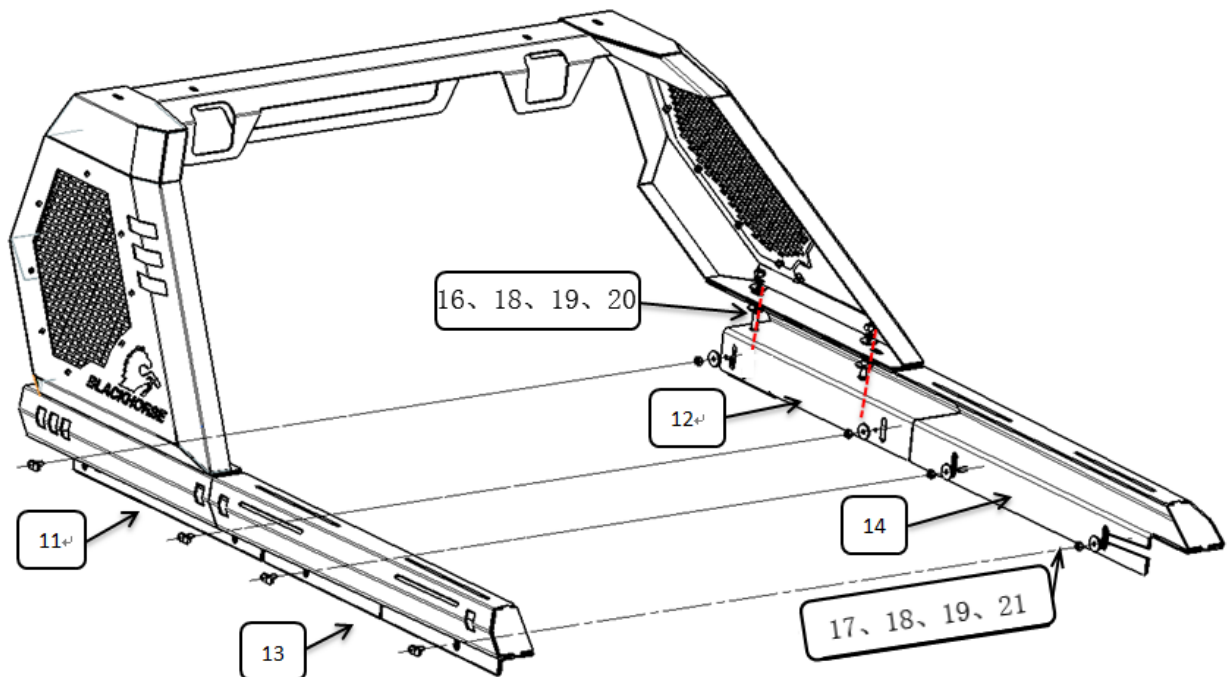
VIGOR ROLL BAR FOR 05-20 NISSAN FRONTIER (WITH ADJUSTABLE SQUARE LIGHT)

**Step 2:** Install ① ② ③ and ④ with ⑥ ⑦ ⑧ ⑨ as below diagram shows.



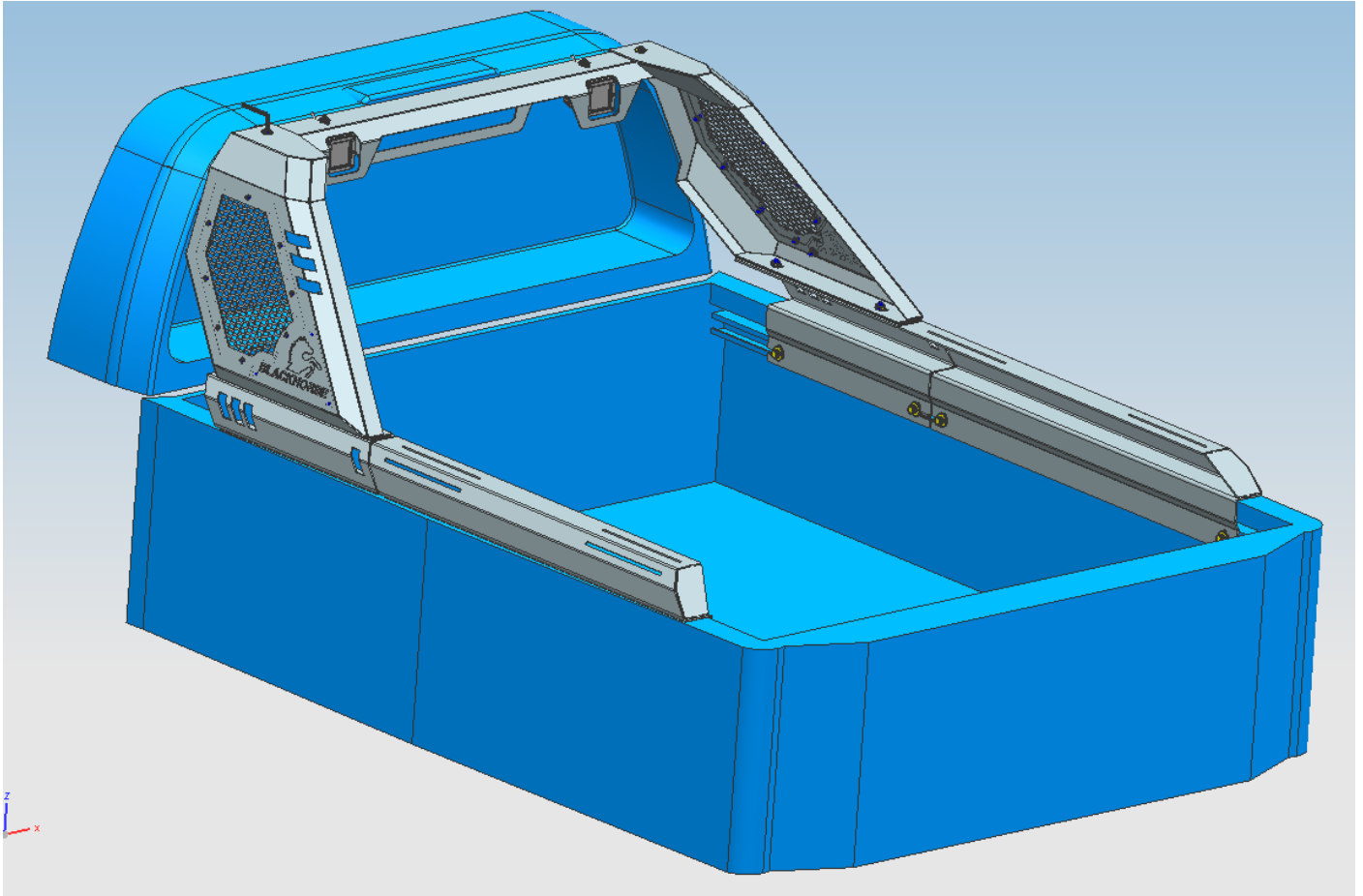
**Step 3:** Connect brackets and roll bar with standard parts ①⑥ ①⑧ ①⑨ ②① as figure shows.

Assemble roll bar with base on the truck with standard parts ①⑦ ①⑧ ①⑨ ②①.



**Step 4:** Test and make sure that the roll bar is steadily fixed, fully tighten all hardware.

**Step 5:** Installation is finished, pick up all tools.



## NOTE

Any damages and losses caused by improper installation and application, goes beyond our quality warranty.