



INSTALLATION INSTRUCTIONS

**VIGOR ROLL BAR FOR 2020 JEEP GLADIATOR (WITH ADJUSTABLE
SQUARE LIGHT)**

PART # VIRB09B

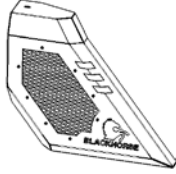
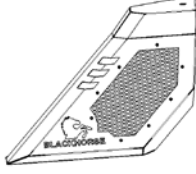


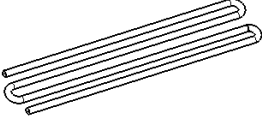
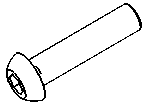




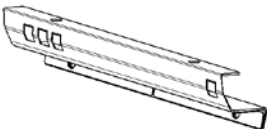

Before Installation

- Please read the instruction completely for easy installation, which will also help you to avoid scratches or other potential damages to your appealing car.
- The figures here are for reference only and may have differences with the actual product you received, however they share the same assembly way.

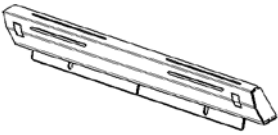


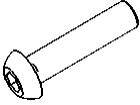



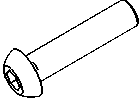
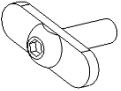
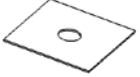
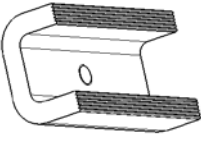
Care and Cleaning

- Mild soap may be used also to clean the Product.
- Please periodically check and retighten all the hardware and clean the investment for a refresh look.

Parts list

NO.	QTY	NAME	NO.	QTY	NAME
①	1	 Left installation part	②	1	 Right installation part
③	1	 Connection plate	④	2	 LED light
⑤	1	 LED light line	⑥	6	 Button head allen bolts M8_25
⑦	6	 Hex nut M8	⑧	14	 Spring washer D8
⑨	18	 Flat washer D8	⑩	1	 Allen wrench S=6
⑪	1	 Front bracket (L)	⑫	1	 Front bracket (R)

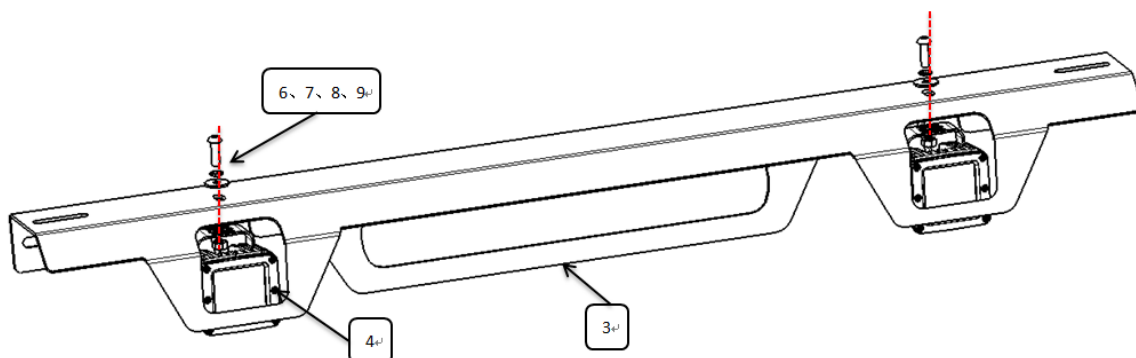
VIGOR ROLL BAR FOR 2020 JEEP GLADIATOR (WITH ADJUSTABLE SQUARE LIGHT)

⑬	1	 Rear bracket (L)	⑭	1	 Rear bracket (R)
⑮	1	 Allen wrench S=5	⑯	8	 Button head allen bolts M8_40
⑰	16	 Flat washer D10	⑱	12	 Spring washer D10
⑲	12	 Hex nut M10	⑳	4	 Button head allen bolts M10_30
㉑	8	 T bolt M10_35	㉒	8	 Plastic block
㉓	8	 Clamp			

Installation Steps

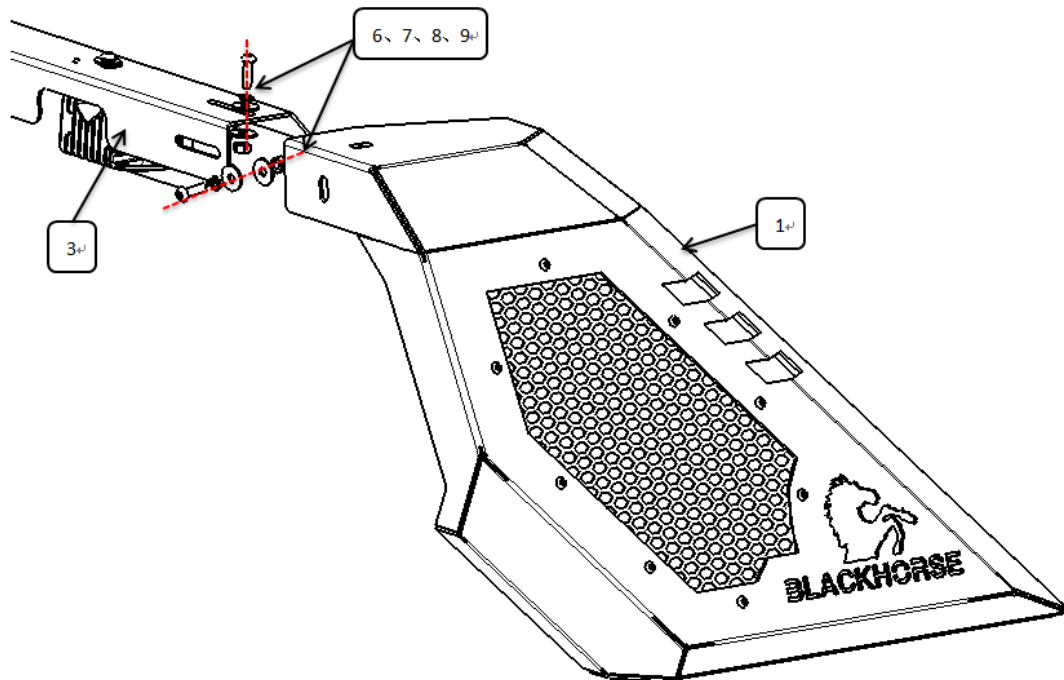
Step1:

Install ③ and ④ with ⑥⑦⑧⑨ as below diagram shows.



Step2:

Install ① ② ③ and ④ with ⑥ ⑦ ⑧ ⑨ as below diagram shows.



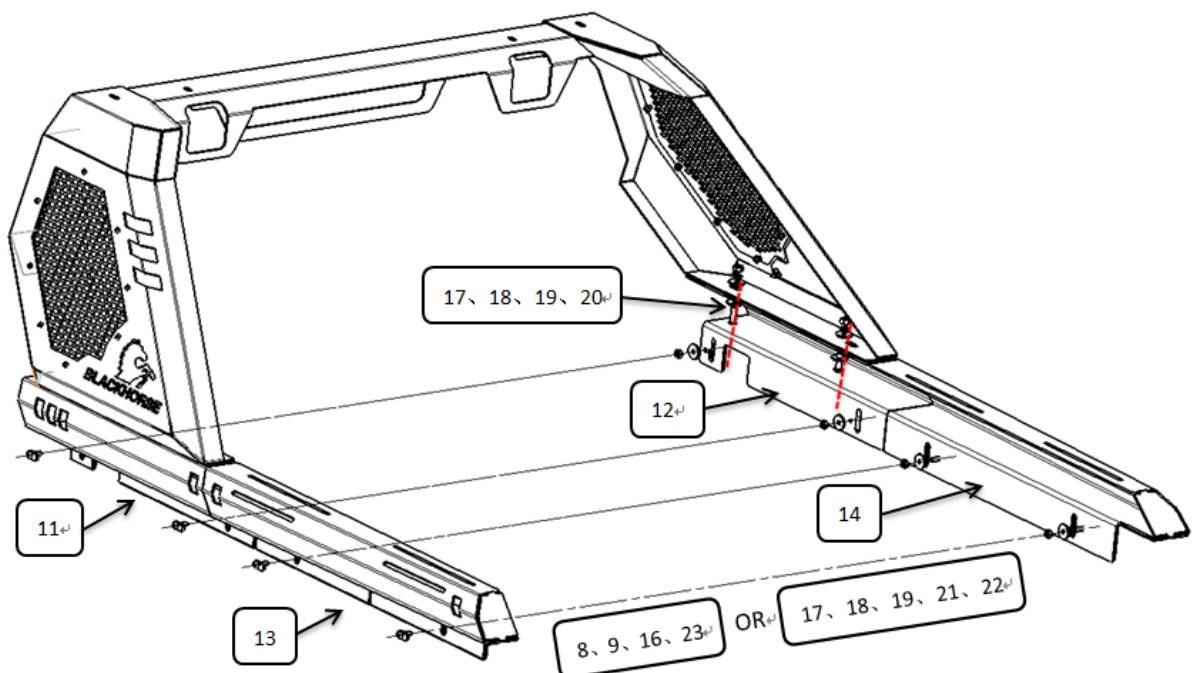
Step 3: Connect brackets and roll bar with standard parts ⑰ ⑱ ⑲ ⑳ as figure shows.

For use without Utility Track in the truck:

Assemble roll bar with base on the truck with standard parts ⑧ ⑨ ⑰ ⑳.

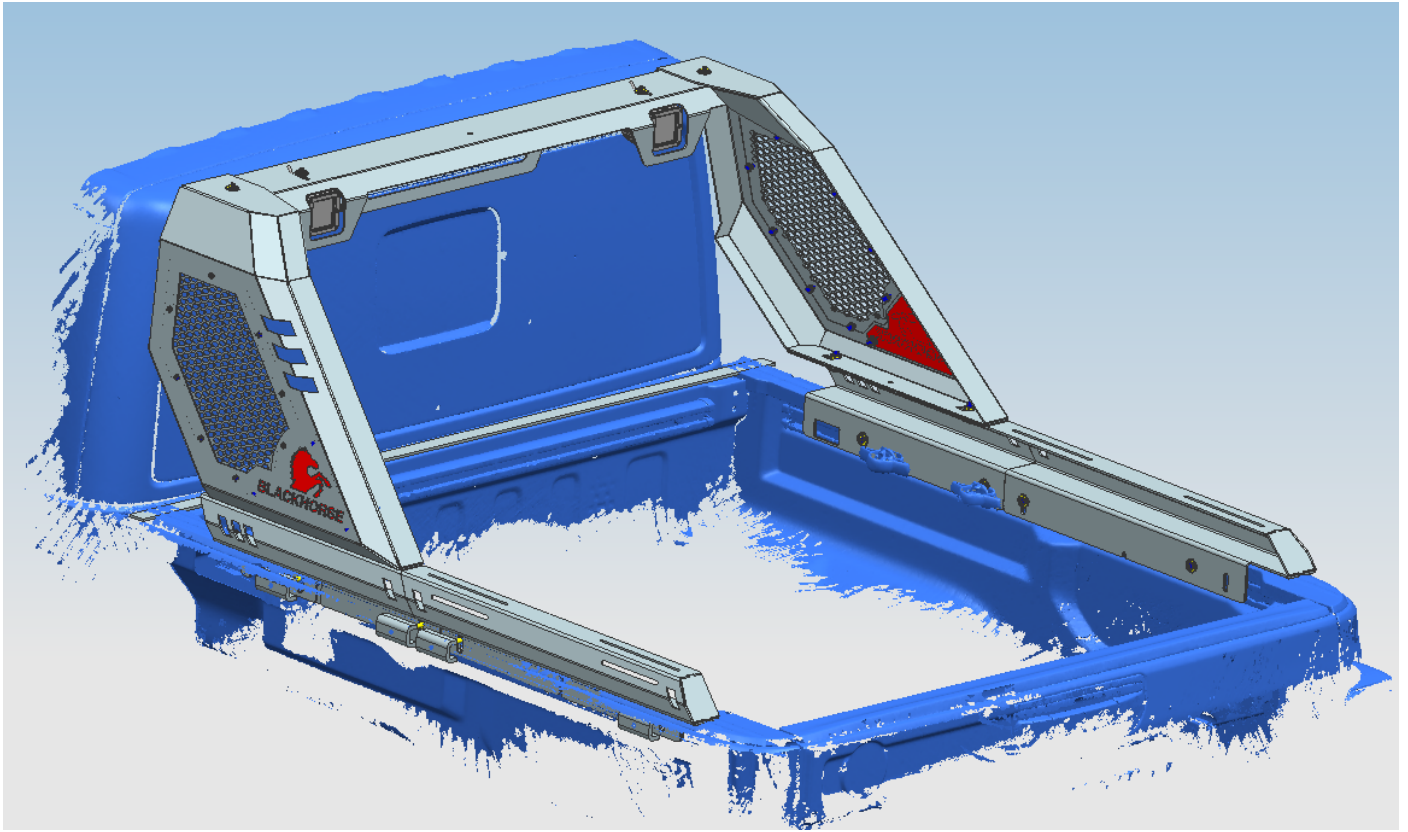
For use with Utility Track in the trunk:

Assemble roll bar with base on the truck with standard parts ⑰ ⑱ ⑲ ㉑ ㉒.



Step 4: Test and make sure that the roll bar is steadily fixed, fully tighten all hardware.

Step 5: Installation is finished, pick up all tools.



NOTE

Any damages and losses caused by improper installation and application, goes beyond our quality warranty.