

# **INSTALLATION INSTRUCTION**

**Bull Bar Brackets  
14-20 Lexus GX460  
PART # BE-B7308S**



Attention:

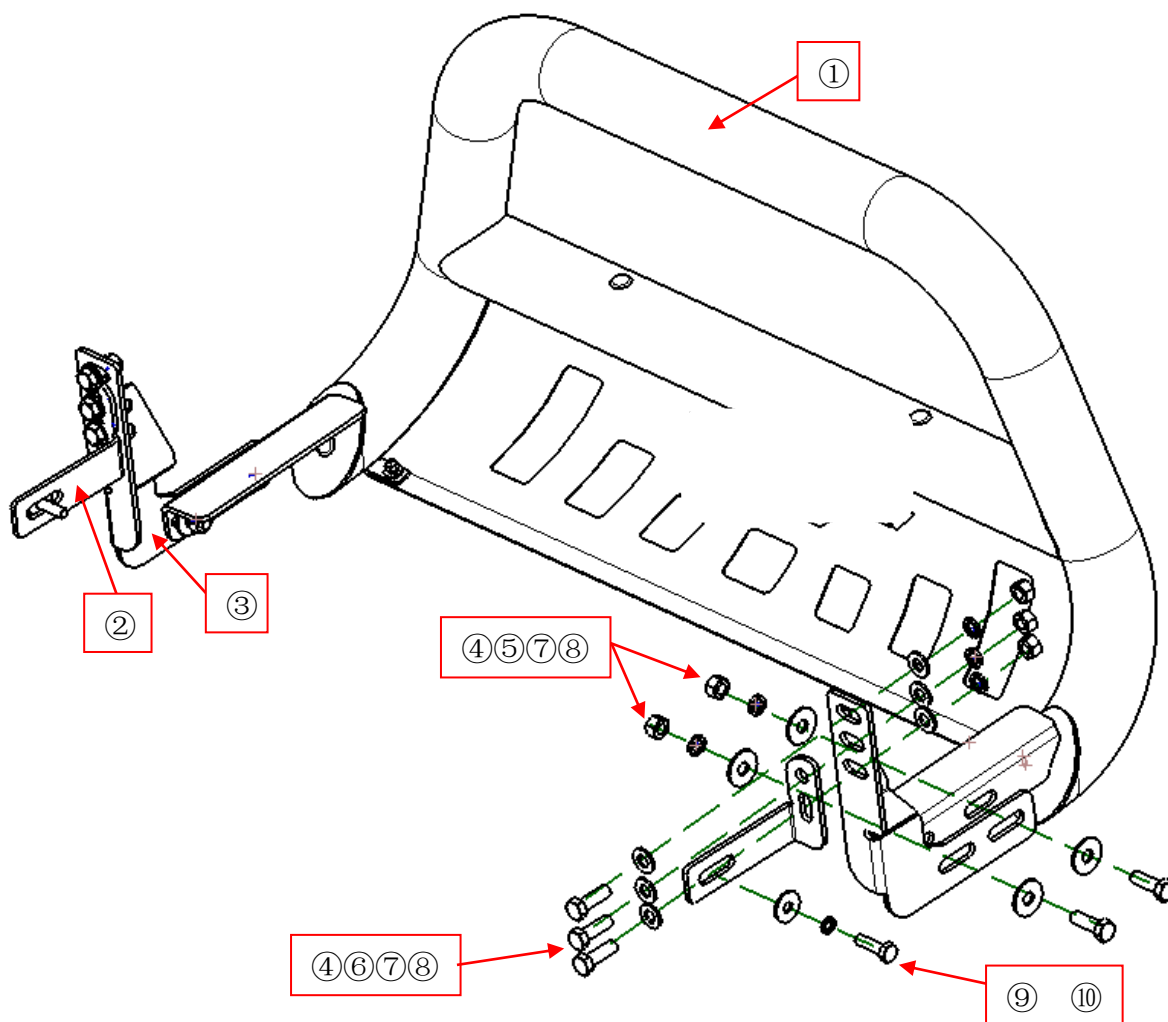
- Please read this installation menu before installing this part. Protect your car properly in case there is any scratch might have.
- You may need to periodically to re-tighten all hardware for safety use after installation.
- Installation pictures are only for your reference, there might be some differences between pictures and real parts but no affect for your fitting.

PART LIST

NO.	NAME	QTY	REMARK	NO.	NAME	QTY	REMARK
①	Bull Bar	2		⑦	Spring Washer	10	Φ12
②	Bracket	2		⑧	Hexagon Nut	10	M12
③	Fitting Kit	2		⑨	Hexagon Bolt (thin thread)	2	M10*1.25*35
④	Hexagon Bolt	10	M12x35	⑩	Spring Washer	2	Φ10
⑤	Extra Large Washer	8	Φ12x35x3.0	⑪	Large Washer	2	Φ10x30x2.5
⑥	Flat Washer	12	Φ12x25x2.5				

Note: It is the same way to install both sides.

INSTALLATION PICTURE



Disclaimer: Caused due to improper installation initiates some related problem and losses, are beyond our company's quality assurance.