

# **INSTALLATION INSTRUCTION**

## **SS Bull Bar With Skid Plate**

**2015 2017 LexusNX200T**

**2018 2020 LexusNX300**

**2015 2020 LexusNX300H**

**PART # BE-F7408B**



**BLACK HORSE  
OFF ROAD**



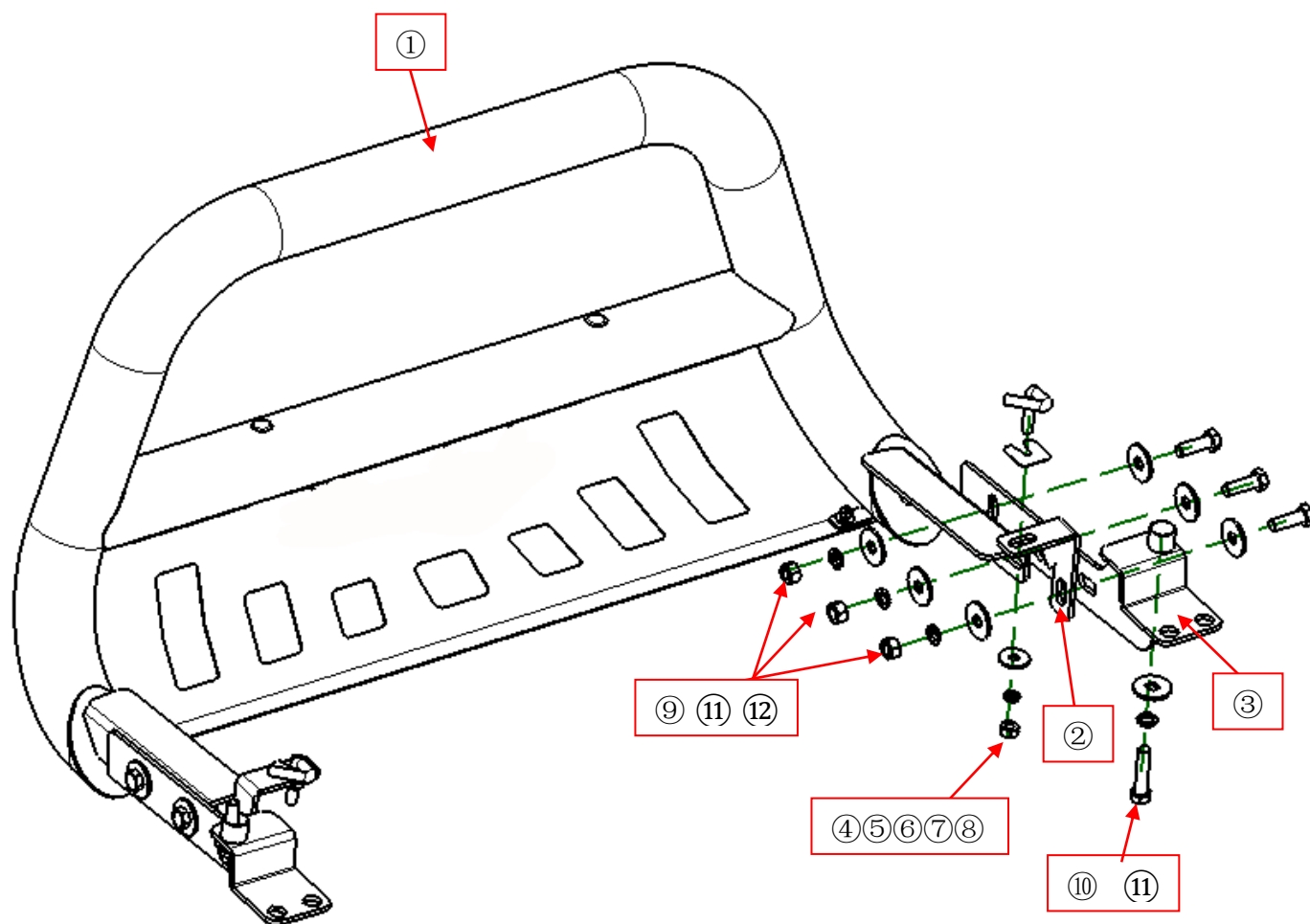
Attention:

- Please read this installation menu before installing this part. Protect your car properly in case there is any scratch might happen.
- You may need to periodically to re-tighten all hardware for safety use after installation.
- Installation pictures are only for your reference, there might be some differences between pictures and real parts but no effect for your fitting.

PART LIST

NO.	NAME	QTY	REMARK	NO.	NAME	QTY	REMARK
①	Bull Bar	1		⑧	Hexagon Nut	2	M10
②	Fitting Kit	2		⑨	Hexagon Bolt	6	M12x35
③	Bracket	2		⑩	Hexagon Bolt	2	M12x1.25x50
④	Deformed Bolt	2	M10x35	⑪	Large Washer	14	M12x30x3.0
⑤	PVC Fixture	2	Φ10X35X35	⑫	Spring Washer	8	Φ12
⑥	Large Washer	2	Φ10x30x2.5	⑬	Hexagon Nut	6	M12
⑦	Spring Washer	2	Φ10				

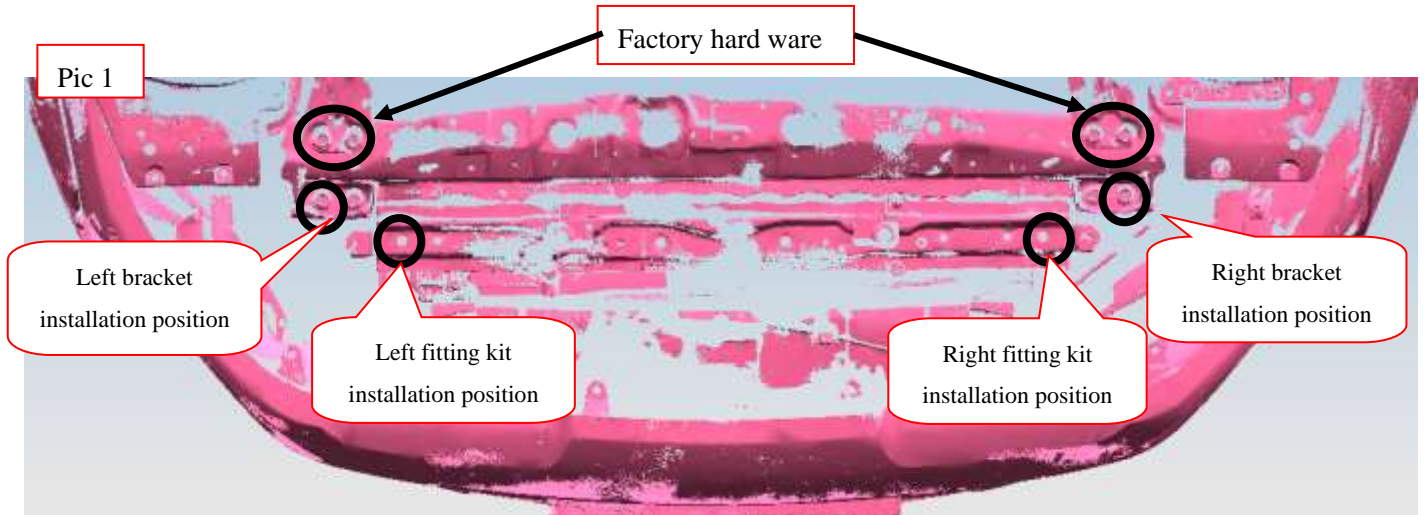
### INSTALLATION PICTURE



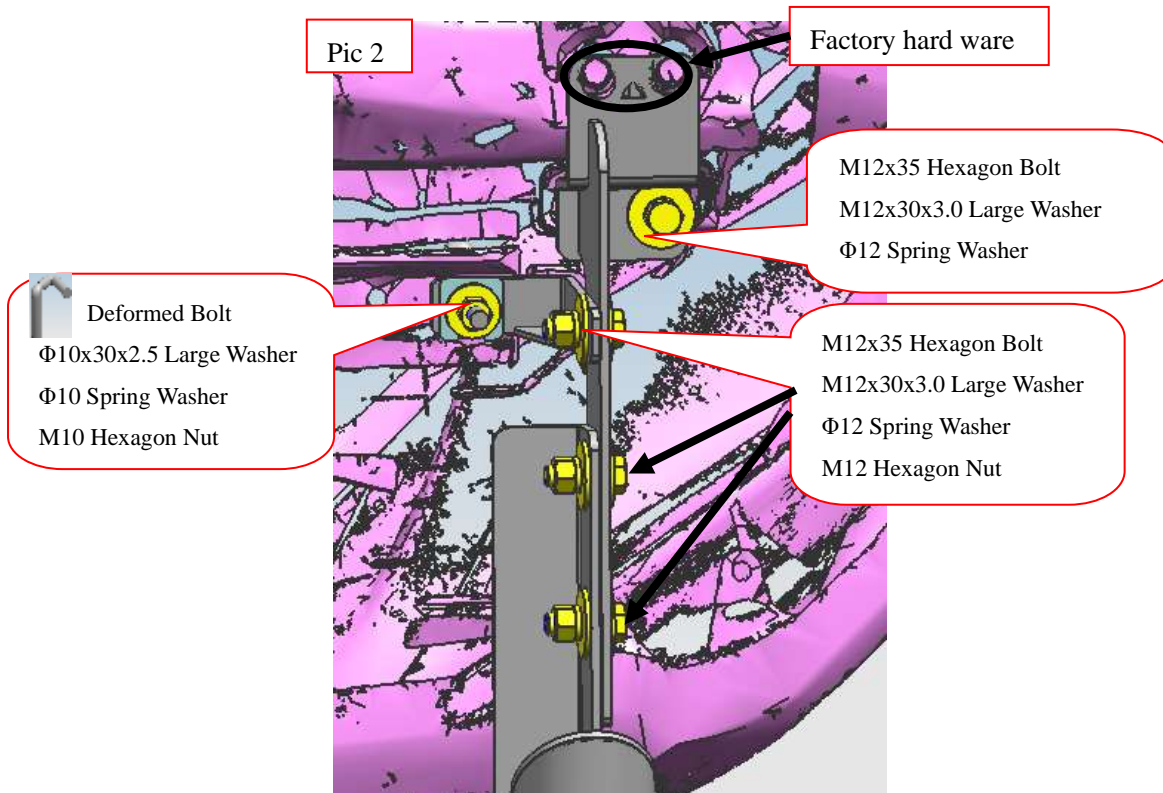
# INSTALLATION PROCEDURES

Step 1: Refer to Part List and Installation Picture to check if all hard ware are included.

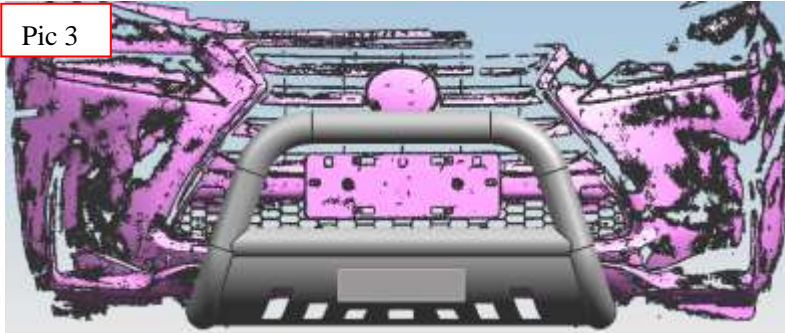
Step 2: Refer to the following picture to install brackets and fitting kits.



Step 3: Install the bull bar on the brackets and then adjust them to the proper positions.



Step 4: Check if all hard ware are installed and then tighten all to complete the installation.



Disclaimer: Caused due to improper installation initiates some related problem and losses, are beyond our company's quality assurance.