

PREMIUM RUNNING BOARD BRACKETS FOR FORD MAVERICK 2022-2024 (Incl. Hybrid model)



**BLACK HORSE
OFF ROAD®**

TEL: 1-866-XANATOS

INSTALLATION INSTRUCTIONS

**PREMIUM RUNNING BOARD BRACKETS FOR FORD MAVERICK 2022-
2024 (Incl. Hybrid model)**

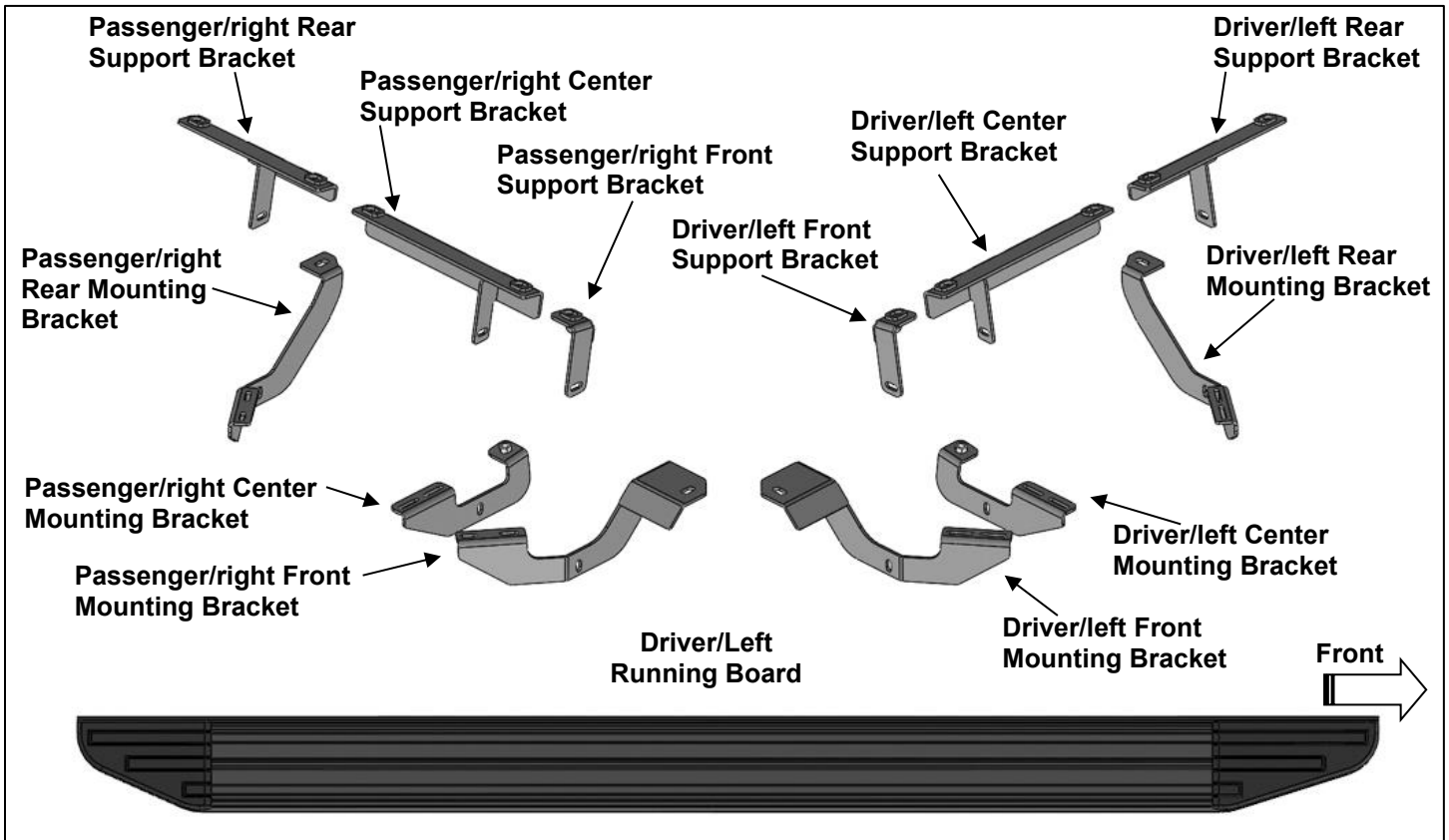
PART # BR-F11

PROTECTED BY ONE OR MORE PATENT

PREMIUM RUNNING BOARD BRACKETS FOR FORD MAVERICK 2022

PARTS LIST:

1	Driver/Left Running Board	10	10mm "S" Spiral Bolts
1	Passenger/Right Running Board	4	10mm Plastic Retainers
1	Driver/Left Front Sidebar Bracket	2	10-1.5mm x 80mm Hex Bolts
1	Passenger/Right Front Sidebar Bracket	14	10mm x 27mm x 3mm Flat Washers
1	Driver/Left Front Support Bracket	2	10mm x 20mm x 2mm Flat Washers
1	Passenger/Right Front Support Bracket	16	10mm Lock Washers
1	Driver/Left Center Sidebar Bracket	16	10mm Hex Nuts
1	Passenger/Right Center Sidebar Bracket	6	8mm x 25mm Hex Bolts
1	Driver/Left Center Support Bracket	12	8mm x 24mm OD x 2mm Flat Washers
1	Passenger/Right Center Support Bracket	6	8mm Lock Washers
1	Driver/Left Rear Sidebar Bracket	6	8mm Hex Nuts
1	Passenger/Right Rear Sidebar Bracket	12	6mm x 20mm T-Bolts
1	Driver/Left Rear Support Bracket	12	6mm x 18mm OD x 1.6mm Flat Washers
1	Passenger/Right Rear Support Bracket	12	6mm Lock Washers
2	Center Support Pads	12	6mm Hex Nuts
2	10mm x 40mm Long Bolt Plates (front use)	2	10mm Fish Wire
2	10mm x 40mm Short Bolt Plates (rear use)		



PROCEDURE:

1. REMOVE CONTENTS FROM BOX. VERIFY ALL PARTS ARE PRESENT. READ INSTRUCTIONS CAREFULLY BEFORE STARTING INSTALLATION. CUTTING IS REQUIRED.
2. Starting from under the passenger/right side of the vehicle, locate the rectangular clips attaching the plastic rocker cover to the bottom of the body. Remove the second clip back from the front wheel opening, **(Figure 1s & 2)**. Select (1) "S" Spiral Bolt. Insert the unthreaded end of the Bolt into the hole in the rocker panel, **(Figure 3)**. Select the passenger/right front Support Bracket. Attach the Support

PREMIUM RUNNING BOARD BRACKETS FOR FORD MAVERICK 2022

Bracket to the “S” Bolt with (1) 10mm Flat Washer, (1) 10mm Lock Washer and (1) 10mm Hex Nut, **(Figure 4)**. Snug but do not fully tighten hardware.

3. Hold the passenger/right front Mounting Bracket up to the bottom of the body, **(Figure 5)**. Line up the outer hole in the Bracket with the hole in the Support Bracket. Line up the inner end of the Mounting Bracket with the oval hole in the floor. Use a marker or masking tape to trace the outline of the Mounting Bracket onto the plastic cover, **(Figure 6)**.
4. Move to the center mounting location below where the front and rear doors meet, **(Figure 7)**. Remove the (2) rectangular plastic clips. Insert (2) “S” Bolts into the holes. Attach the passenger/right Center Support Bracket to the “S” Bolts with (2) 10mm Flat Washers, (2) 10mm Lock Washers and (2) 10mm Hex Nuts, **(Figure 8)**. Snug but do not fully tighten hardware.
5. Select (1) 10mm x 80mm Hex Bolt, (1) 10mm Hex Nut, (1) 10mm Lock Washer and (1) 10mm Small Flat Washer, **(Figure 9)**. Thread the Hex Nut onto the Long Bolt. Slide the Lock Washer then the Flat Washer onto the Bolt. Thread the Bolt and Washers up and into the inner end on the center Mounting Bracket, **(Figure 9)**. Hold the passenger/right center Mounting Bracket up to the bottom of the body. Line up the outer hole in the Bracket with the hole in the Support Bracket. Place (1) Center Support Pad onto the end of the Hex Bolt, **(Figure 9)**. Use a marker or masking tape to trace the outline of the Support Pad onto the plastic cover, **(Figure 10)**.
6. Continue along the passenger/right side to the last two clips, **(Figure 11)**. Insert (2) “S” Bolts into the holes. Attach the passenger/right Rear Support Bracket to the “S” Bolts with (2) 10mm Flat Washers, (2) 10mm Lock Washers and (2) 10mm Hex Nuts, **(Figure 12)**.
7. Hold the passenger/right rear Mounting Bracket up to the bottom of the body. Line up the outer hole in the Bracket with the hole in the Support Bracket. Line up the inner end of the Mounting Bracket with the hole in the floor. Use a marker or masking tape to trace the outline of the Mounting Bracket onto the plastic cover.
8. Remove the plastic cover from the bottom of the body. Use a hacksaw blade or sharp knife to cut out the marked areas. Once cut, partially reinstall the cover. Leave the front and rear of the cover loose.
9. Move to the front mounting location. Select the 10mm “Long” Bolt Plate, **(Figure 13)**. Insert the Bolt Plate into the oval hole in the floor, **(Figure 14)**. Thread (1) 10mm Plastic Retainer onto the Bolt Plate to help hold in place. Use is not mandatory for installation. Attach the passenger/right front Mounting Bracket to the Bolt Plate with (1) 10mm Flat Washer, (1) 10mm Lock Washer and (1) 10mm Hex Nut, **(Figure 15)**. Attach the Mounting Bracket to the front facing side of the Support Bracket with the included (1) 8mm x 25mm Hex Bolt, (2) 8mm Flat Washers, (1) 8mm Lock Washer and (1) 8mm Hex Nut, **(Figure 15)**. Do not fully tighten hardware.
10. Move to the center mounting location. Attach the Center Mounting Bracket to the rear facing side of the Center Support Bracket with the included (1) 8mm x 25mm Hex Bolt, (2) 8mm Flat Washers, (1) 8mm Lock Washer and (1) 8mm Hex Nut, **(Figure 16)**. Tighten or loosen the long 10mm Hex Bolt with Center Support Pad until the Mounting Bracket is close to level and in line with the front and rear Brackets, **(Figure 9)**. Leave hardware loose.
11. Continue to the rear mounting location. Thread (1) 10mm Fish Wire onto (1) 10mm “Short” Bolt Plate, **(Figure 17)**. Insert Fish Wire and 10mm “Short” Bolt Plate into the square hole and down through the round hole in the floor, **(Figures 18 & 19)**. Thread (1) 10mm Plastic Retainer onto the Bolt Plate to help hold in place. Use is not mandatory for installation. Attach the passenger/right Rear Mounting Bracket to the Bolt Plate with (1) 10mm Flat Washer, (1) 10mm Lock Washer and (1) 10mm Hex Nut, **(Figure 20)**. Attach the Mounting Bracket to the rear facing side of the Support Bracket with the included (1) 8mm x 25mm Hex Bolt, (2) 8mm Flat Washers, (1) 8mm Lock Washer and (1) 8mm Hex Nut, **(Figure 20)**. Do not fully tighten hardware.
12. Select the Passenger/Right Viewpoint Running Board. Insert (6) T-Bolts into the channels in the bottom of the Sidebar, (3) per channel, **(Figure 21)**. Attach the Running Board to the Mounting Brackets with (6) 6mm Flat Washers, (6) 6mm Lock Washers and (6) 6mm Hex Nuts, **(Figure 22)**. Do not tighten hardware.
13. Move to the center Mounting Bracket. Thread the 10mm Hex Bolt in or out to adjust the Bracket up to the Side Bar. Once properly adjusted, turn the Hex Bolt in (clockwise) 1/4-1/2 of a turn then tighten the 10mm Hex Nut on the Bolt against the Bracket to lock in place and tighten all hardware, **(Figure 9)**.
14. Fully reattach plastic cover to floor.

PREMIUM RUNNING BOARD BRACKETS FOR FORD MAVERICK 2022

15. Repeat **Steps 2—15** for driver/left Sidebar installation.

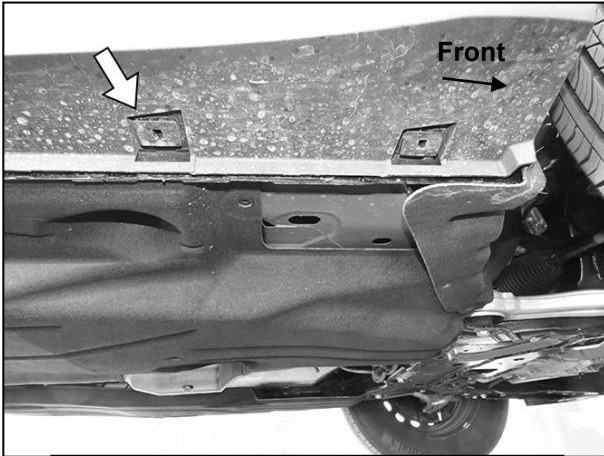
16. Do periodic inspections to the installation to make sure that all hardware is secure and tight.

To protect your investment, wax this product after installing. Regular waxing is recommended to add a protective layer over the finish. Do not use any type of polish or wax that may contain abrasives that could damage the finish.

For stainless steel: Aluminum polish may be used to polish small scratches and scuffs on the finish. Mild soap may be used also to clean the Sidebars.

For gloss black finishes: Mild soap may be used to clean the Sidebars.

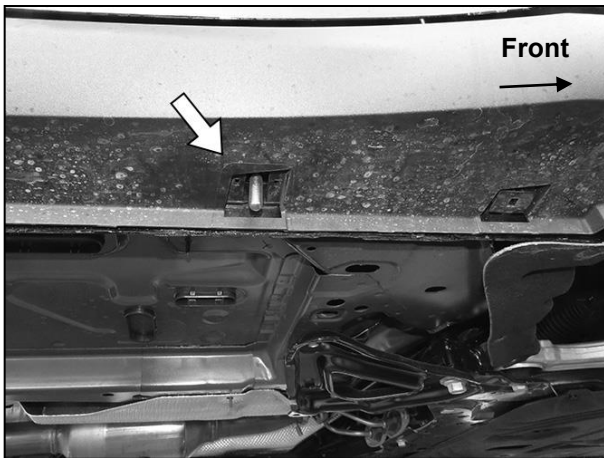
Passenger/right Side Installation Pictured



(Fig 1) Passenger/right front mounting location, remove clip (arrow)

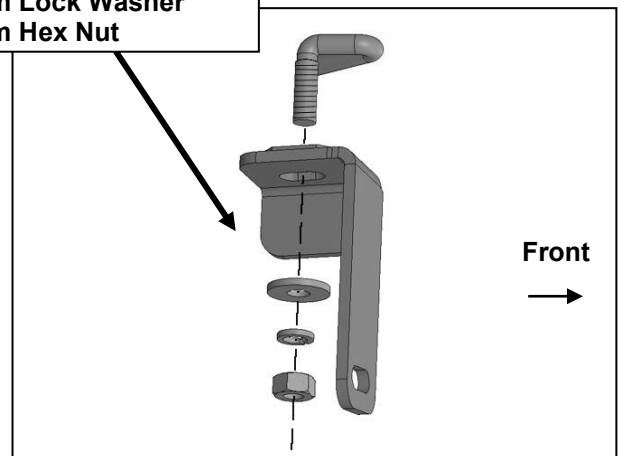


(Fig 2) Passenger/right #2 clip removed



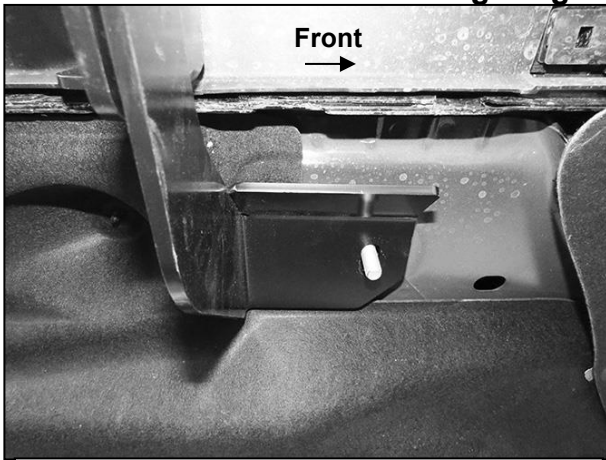
(Fig 3) Insert "S" Spiral Bolt into opening after removing clip (arrow)

10mm Flat Washer
10mm Lock Washer
10mm Hex Nut

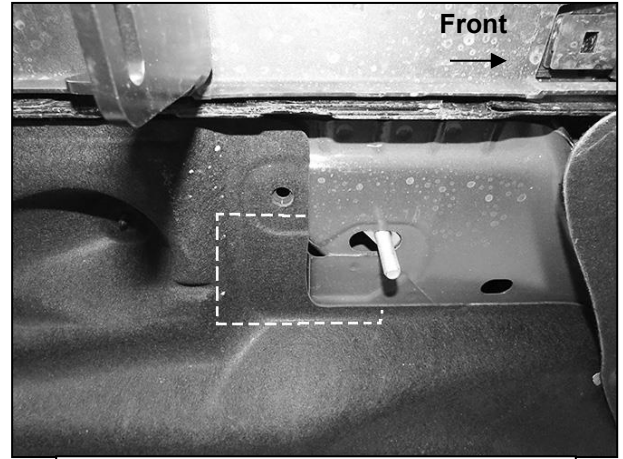


(Fig 4) Attach passenger/right front Support Bracket to "S" Bolt

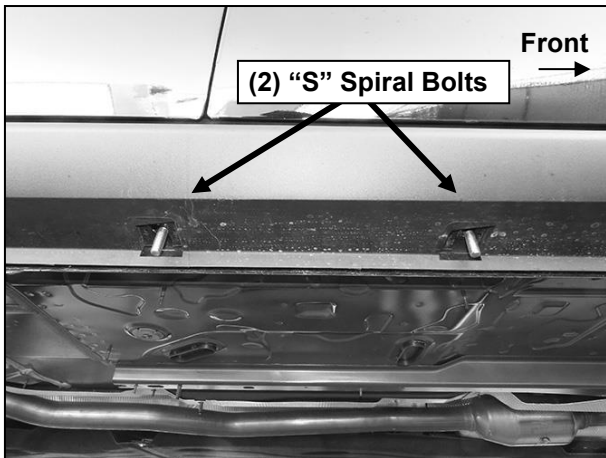
PREMIUM RUNNING BOARD BRACKETS FOR FORD MAVERICK 2022
Passenger/right Side Installation Pictured



(Fig 5) Hold passenger/right front Bracket in place. Trace outline of Bracket onto cover

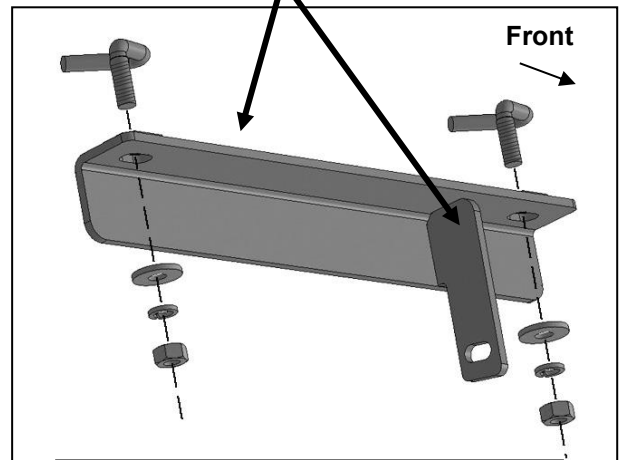


(Fig 6) Trace outline of passenger/right front Bracket onto cover

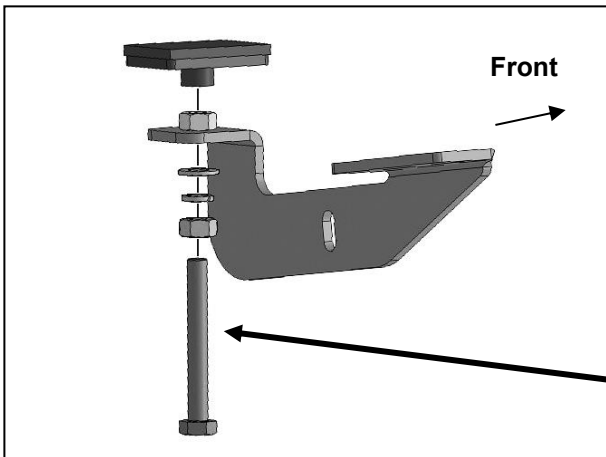


(Fig 7) Passenger/right center mounting location. Remove clips, insert "S" Bolts

- (2) 10mm Flat Washers
- (2) 10mm Lock Washers
- (2) 10mm Hex Nuts



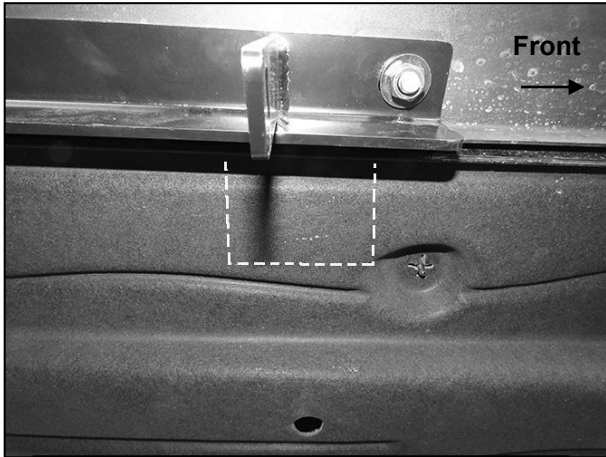
(Fig 8) Attach passenger/right center Support Bracket to "S" Bolts



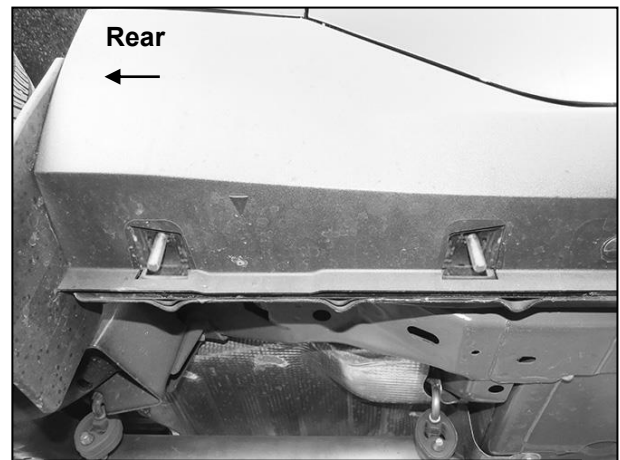
(Fig 9) Assemble passenger/right Center Mounting Bracket with Support Pad

- 10mmx 80mm Hex Bolt
- 10mm Hex Nut
- 10mm Lock Washer
- 10mm Small Flat Washer

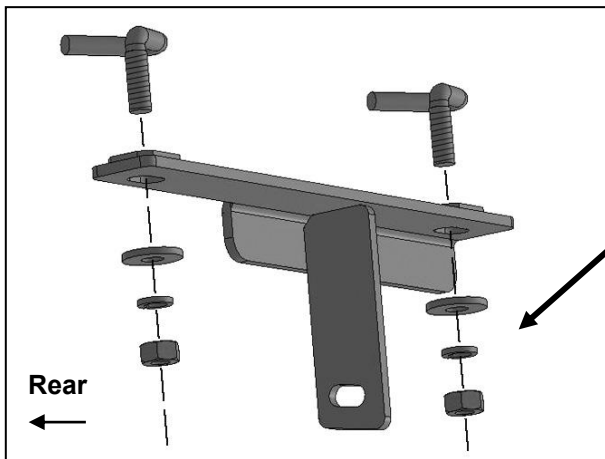
PREMIUM RUNNING BOARD BRACKETS FOR FORD MAVERICK 2022
Passenger/right Side Installation Pictured



(Fig 10) Trace outline of passenger/right center Bracket Support Pad onto cover

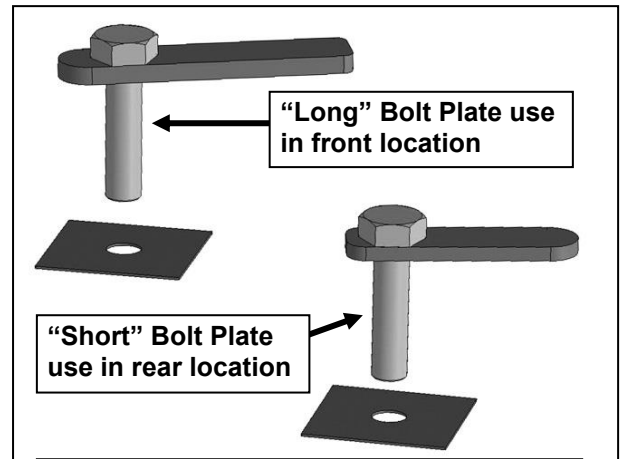


(Fig 11) Passenger/right rear mounting location. Remove clips, insert "S" Bolts



(Fig 12) Attach passenger/right Rear Support Bracket to "S" Bolts

- (2) 10mm Flat Washers
- (2) 10mm Lock Washers
- (2) 10mm Hex Nuts



(Fig 13) Long and Short Bolt Plates with Plastic Retainers (retainer use optional)

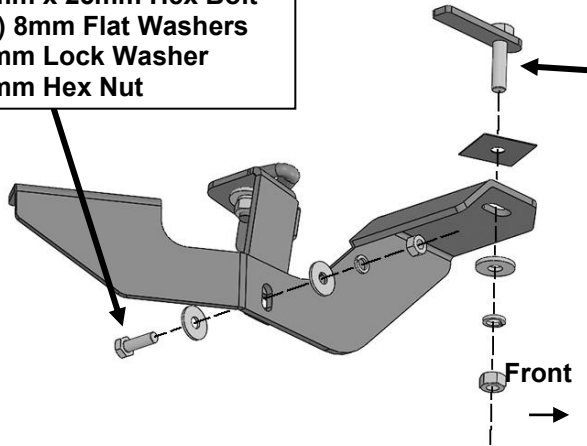


(Fig 14) Insert "Long" Bolt Plate into oval hole in front floor location (arrow)

PREMIUM RUNNING BOARD BRACKETS FOR FORD MAVERICK 2022
Passenger/right Side Installation Pictured

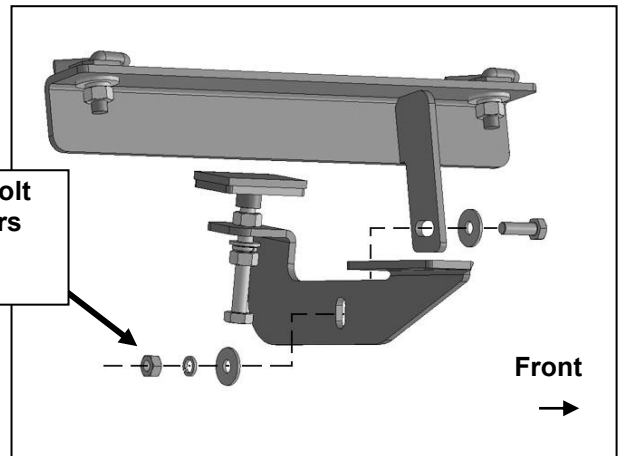
8mm x 25mm Hex Bolt
(2) 8mm Flat Washers
8mm Lock Washer
8mm Hex Nut

10mm Long Bolt Plate
10mm Plastic Retainer
10mm Flat Washer
10mm Lock Washer
10mm Hex Nut



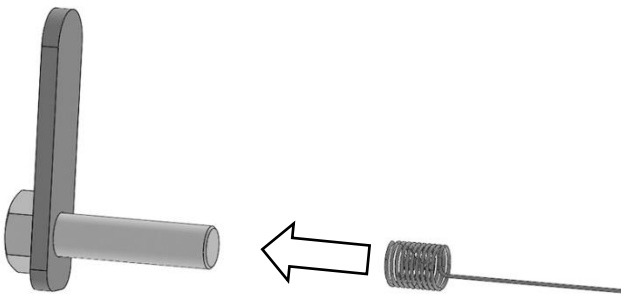
(Fig 15) Attach passenger/right Mounting Bracket to Bolt Plate and front of Support Bracket

8mm x 25mm Hex Bolt
(2) 8mm Flat Washers
8mm Lock Washer
8mm Hex Nut



(Fig 16) Attach passenger/right center Mounting Bracket to back of Support Bracket

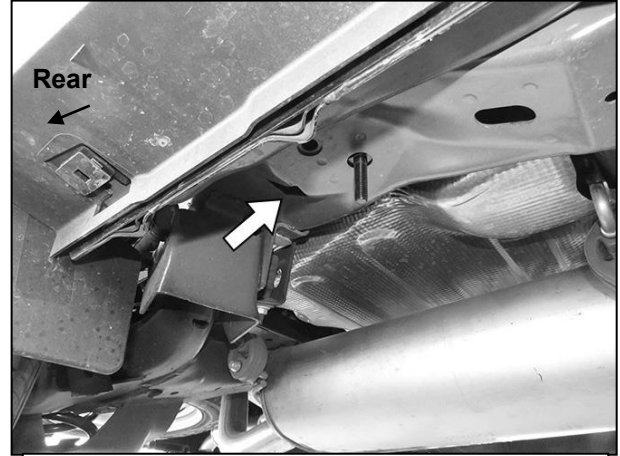
(Fig 17) Thread (1) 10mm Fish Wire
onto (1) 10mm "Short" Bolt Plate



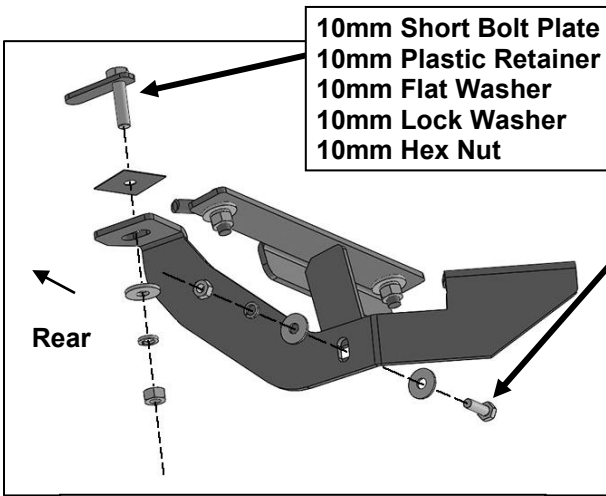
PREMIUM RUNNING BOARD BRACKETS FOR FORD MAVERICK 2022
Passenger/right Side Installation Pictured



(Fig 18) Insert the Fish Wire and "Short" Bolt Plate assembly into square hole and down through floor (arrow)



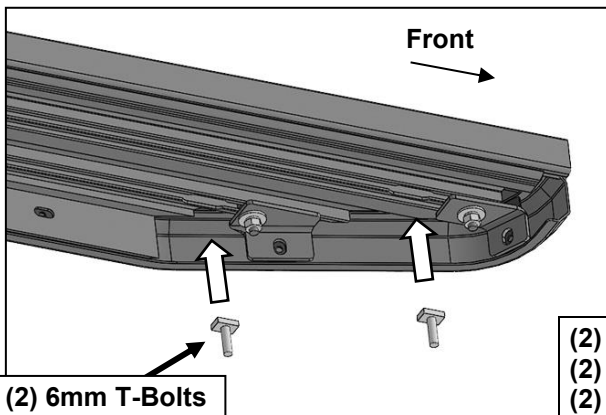
(Fig 19) "Short" Bolt Plate installed (arrow)



- 10mm Short Bolt Plate
- 10mm Plastic Retainer
- 10mm Flat Washer
- 10mm Lock Washer
- 10mm Hex Nut

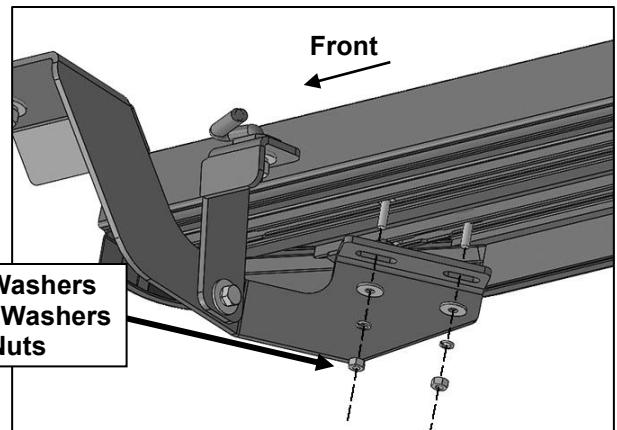
- 8mm x 25mm Hex Bolt
- (2) 8mm Flat Washers
- 8mm Lock Washer
- 8mm Hex Nut

(Fig 20) Attach passenger/right rear Mounting Bracket to Bolt Plate and back of Support Bracket



- (2) 6mm T-Bolts

(Fig 21) Insert (6) 6mm T-Bolts into the bottom of the Running Board, (3) per channel



- (2) 6mm Flat Washers
- (2) 6mm Lock Washers
- (2) 6mm Hex Nuts

(Fig 22) Attach passenger/right Running Board to the Mounting Brackets