



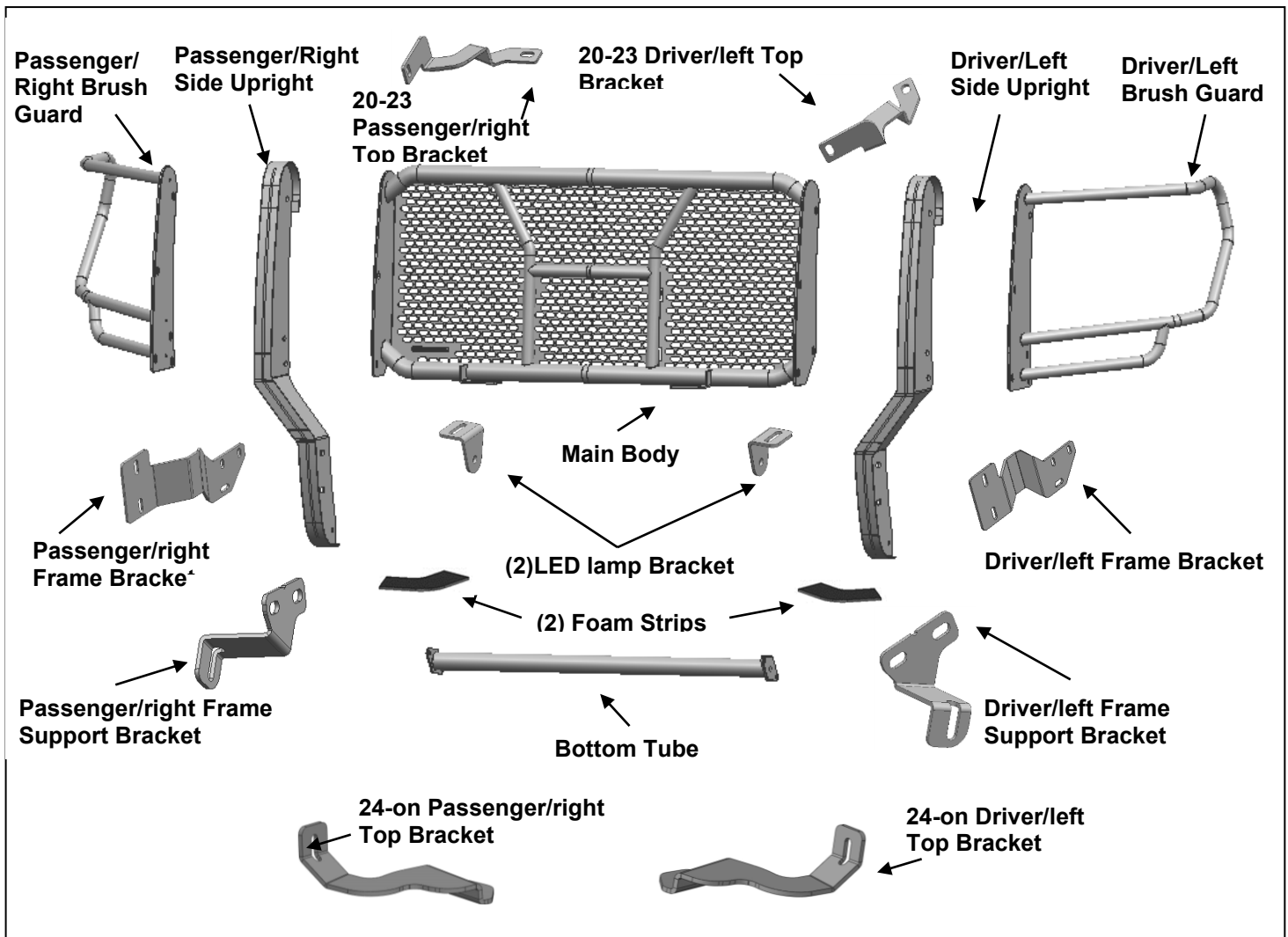
TEL: 1-866-XANATOS

INSTALLATION INSTRUCTIONS

**MODULAR RUGGED GRILLE GUARD
20-24 GMC SIERRA 2500/3500
PART# RU-GMSI20-B**

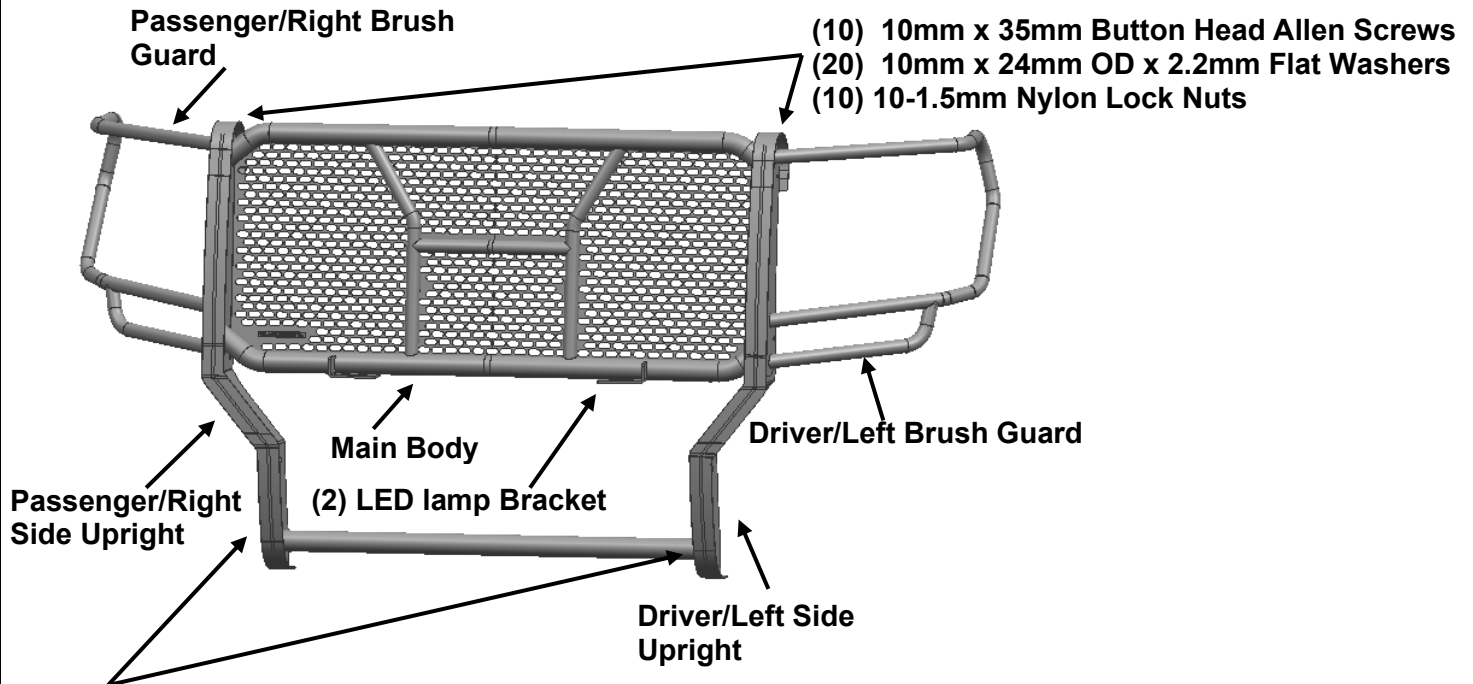
PARTS LIST:

1	Main Body	2	12mm x 24mm OD x 2.5mm STD Flat Washers
1	Bottom Tube	6	12-1.75mm Nylon Lock Nuts
1	Driver/Left Side Upright	4	10mm x 30mm Button Head Allen Screws
1	Passenger/Right Side Upright	10	10mm x 35mm Button Head Allen Screws
1	Passenger/Right Brush Guard	4	10 -1.5 mm x 130mm Hex Bolts
1	Driver/Left Brush Guard	8	10mm x 27mm OD x 3mm Flat Washers
2	LED lamp Bracket	28	10mm x 24mm OD x 2.2mm Flat Washers
1	Driver/left Frame Bracket	22	10-1.5mm Nylon Lock Nuts
1	Passenger/Right Frame Bracket	4	10-1.5mm x 35mm Double Bolt Plates
1	Driver/left Frame Support Bracket	6	8mm x 24mm OD x 2mm Flat Washers
1	Passenger/right Frame Support Bracket	4	8mm x 25mm Button Head Allen Screws
1	20-23 Driver/left Top Mounting Bracket	2	8mm Nylon Lock Nuts
1	20-23 Passenger/Right Top Mounting Bracket	2	8mm Lock Washer
2	2020-23 Adhesive Backed Foam Tape Strips	1	S=4 Wrench
6	12-1.75mm x 35mm Hex Bolts	1	S=5 Wrench
2	12-1.75mm x 40mm Hex Bolts	1	S=6 Wrench
12	12mm x 37mm OD x 3mm Large Flat Washers	1	2024-on Driver/left Top Bracket
2	12mm Lock Washer	1	2024-on Passenger/right Top Bracket
		2	2024-on Adhesive Backed Foam Tape Strips



Please Noted:

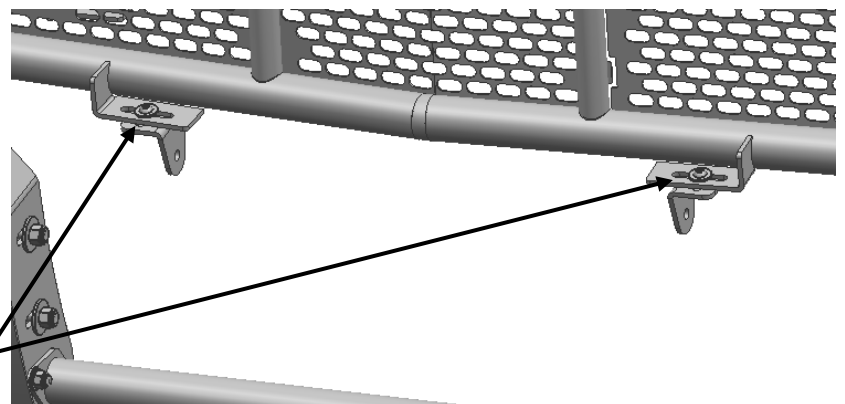
1. Before you install the Grille Guard on the vehicle, please install the Driver/Left Side Upright, Driver/Left Brush Guard, Passenger/Right Side Upright and Passenger/Right Brush Guard on the main body with the included (10) 10mm x 35mm Button Head Allen Screws, (20) 10mm x 24mm OD x 2.2mm Flat Washers, (10) 10-1.5mm Nylon Lock Nuts. Attach the Bottom Tube to the Upright with the included (4) 10mm x 30mm Button Head Allen Screws, (8) 10mm x 24mm OD x 2.2mm Flat Washers and (4) 10-1.5mm Nylon Lock Nuts.



- (4) 10mm x 30mm Button Head Allen Screws
- (8) 10mm x 24mm OD x 2.2mm Flat Washers
- (4) 10-1.5mm Nylon Lock Nuts

2. Before you install the LED Lamp on the main body please install the LED Lamp Bracket first.
3. If you are not going to install a LED Lamp, the LED Lamp Bracket installation is unnecessary. For main body installation follow the instruction as below.

- (2) 8mm x 25mm Button Head Allen Screws
- (4) 8mm x 24mm OD x 2mm Flat Washers
- (2) 8mm Nylon Lock Nuts



IMPORTANT: The Grille Guard is designed to tilt forward to clear the attached grille on 2007-13 Tundra, 08-14 Sequoia models. To tilt the Grille Guard, the Quick Release Bolts on the Top Brackets must be released and the upper bolts on both Mounting Brackets may need to be loosened slightly. Make sure that all hardware is fully tightened after closing the hood. Carefully read Page 8, "Opening and Closing of Hood," before installing the Grille Guard.

PROCEDURE:

REMOVE CONTENTS FROM BOX. VERIFY ALL PARTS ARE PRESENT. READ INSTRUCTIONS CAREFULLY BEFORE STARTING INSTALLATION. CUTTING MAY BE REQUIRED. INSTALLATION MAY INTERFERE WITH BUMPER MOUNTED PARKING SENSORS. ASSISTANCE IS RECOMMENDED.

1. Open the hood and remove the hood release handle, **(Figures 1 & 2)**. Remove the plastic cover from the top of the grille and radiator. Temporarily reattach the handle.
2. Remove the hardware attaching the top of the grille to the body.
3. Loosen but do not remove the (2) plastic body panels, (fascia panels), between the top of the bumper and the bottom of the headlight, **(Figure 3)**, **NOTE:** Fascia panels do not need to be fully removed, only loosened to remove the grille.
4. On models with grille mounted camera, unplug harness leading to the camera.
5. Once all attaching screws and clips have been removed, pull grille straight out to release from clips, **(Figure 4)**.
6. Select the driver/left Top Bracket. Apply Foam Tape to bottom of the Bracket, **(Figure 5)**.
7. Remove the hex bolt from the top of the driver/left side of the frame, **(Figure 6)**. Use the factory hex bolt to attach the Top Bracket to the frame, **(Figure 7)**. Repeat this **Step** to attach the passenger/right Top Bracket. Do not fully tighten hardware at this time.
8. Move to the bottom of the front bumper. Determine if the vehicle is equipped with tow hooks.

Models with tow hooks.

- a. Remove the driver/left tow hook and seal from bumper, **(Figures 8—10)**. Slide tow hook back into position.
- b. Select the driver/left Frame Bracket and Support Bracket, **(Figure 11)**. Slide the Frame Bracket through the tow hook opening and along the outside of the frame, **(Figure 10)**. Insert (2) 10 -1.5 mm x 130mm Hex Bolts with (2) 10mm x 27mm OD x 3mm Flat Washers through the Bracket, frame and tow hook, **(Figures 11 & 12)**.
- c. Slide the Support Bracket over the hex bolts. Attach the Support Bracket to the inner facing side of the frame with (2) 10mm x 27mm OD x 3mm Flat Washers and (2) 10-1.5mm Nylon Lock Nuts, **(Figures 11 & 13)**. Do not fully tighten hardware at this time.
- d. Attach the bottom of the Support Bracket to the Frame Bracket with the included (1) 12-1.75mm x 35mm Hex Bolt, (1) 12mm x 37mm OD x 3mm Large Flat Washer, (frame bracket side), (1) 12mm x 24mm OD x 2.5mm STD Flat Washer, (support bracket side) and (1) 12-1.75mm Nylon Lock Nut, **(Figures 11 & 13)**. Do not fully tighten hardware at this time.
- e. Repeat these **Steps** to attach the passenger/right Brackets.

Models without tow hooks or if tow hooks will not be reinstalled

- a. **IMPORTANT:** The pocket in the plastic bumper may need to be cut out to clear the Frame Brackets, **(Figure 10)**. Use a sharp knife or hacksaw blade and carefully cut out the pocket to clear the Frame Brackets. Only cut out enough plastic to clear the Brackets.
- b. Insert (1) 10-1.5mm x 35mm Double Bolt Plate into the open end of the frame and out through the outside of the frame.

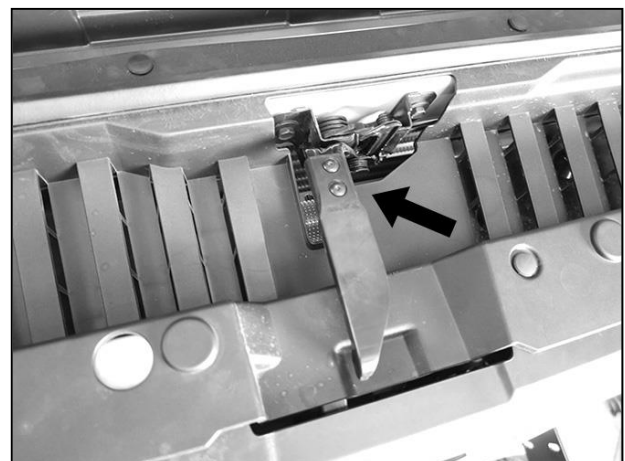
- c. Slide the driver/left Frame Bracket through the opening in the bumper and over the threaded studs on the Bolt Plate, **(Figure 14)**.
 - d. Attach the Frame Bracket to the Bolt Plate with (2) 10mm x 27mm OD x 3mm Flat Washers and (2) 10-1.5mm Nylon Lock Nuts, **(Figure 14)**.
 - e. Repeat the previous **Steps** to attach the driver/left Support Bracket to the inner facing side of the frame, **(Figure 15)**. Attach the bottom of the Support Bracket to the Frame Bracket with the included (1) 12-1.75mm x 35mm Hex Bolt, (1) 12mm x 37mm OD x 3mm Large Flat Washer, (frame bracket side), (1) 12mm x 24mm OD x 2.5mm STD Flat Washer, (support bracket side) and (1) 12-1.75mm Nylon Lock Nut. Do not fully tighten hardware at this time.
 - f. Repeat these **Steps** to attach the passenger/right Brackets.
9. With assistance, position the Heavy Duty Grille Guard up to the outside of the Mounting Brackets, **(Figure 16)**. Attach the Grille Guard to the Frame Brackets with the included (4) 12-1.75mm x 35mm Hex Bolts, (8) 12mm x 37mm OD x 3mm Large Flat Washers and (4) 12-1.75mm Nylon Lock Nuts, (Figures 17 & 18). Attach the Top Brackets to the inside of the Grille Guard with (2) 10mm x 35mm Button Head Allen Screws, (4) 10mm x 24mm OD x 2.2mm Flat Washers and (2) 10-1.5mm Nylon Lock Nuts, **(Figures 17 & 18)**. Repeat this **Step** to attach the passenger/right Top Bracket Do not fully tighten hardware.
 10. Level and adjust the Grille Guard and fully tighten all hardware attaching Brackets to vehicle only. Temporarily remove Grille Guard.
 11. Reinstall grille, fascia body panels and top cover. On models with camera, plug in wiring harness.
 12. Reinstall Grill Guard and fully tighten all hardware.
 13. On models with camera, remove screen from center of Grille Guard, **(Figure 19)**.
 14. Do periodic inspections to the installation to make sure that all hardware is secure and tight.

To protect your investment, Do not use any type of polish or wax that may contain abrasives that could damage the finish. Mild soap may be used to clean the Grille Guard.

Driver/left Side Installation Pictured

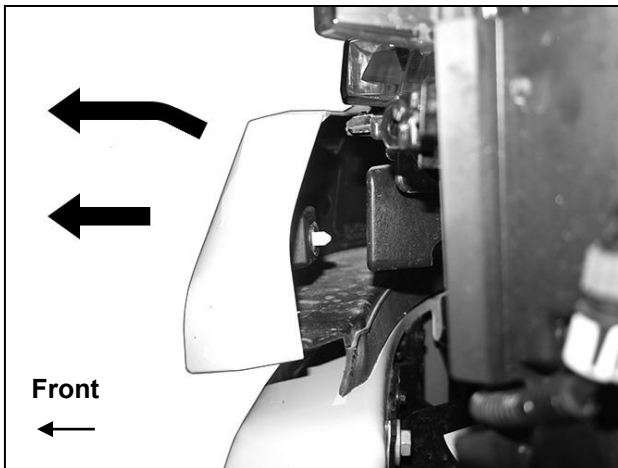


(Fig 1) Open hood and temporarily remove hood release handle

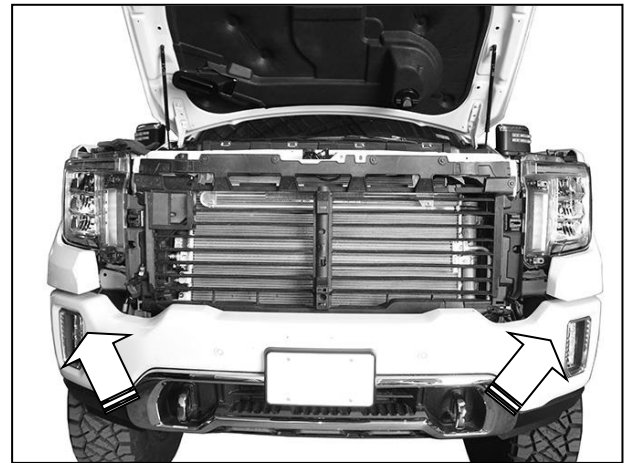


(Fig 2) Remove hood release lever (arrow). Remove plastic cover and temporarily reinstall the release lever

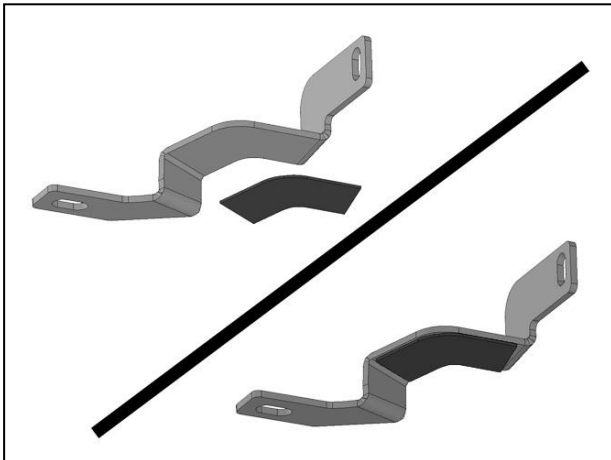
Driver/left Side Installation Pictured



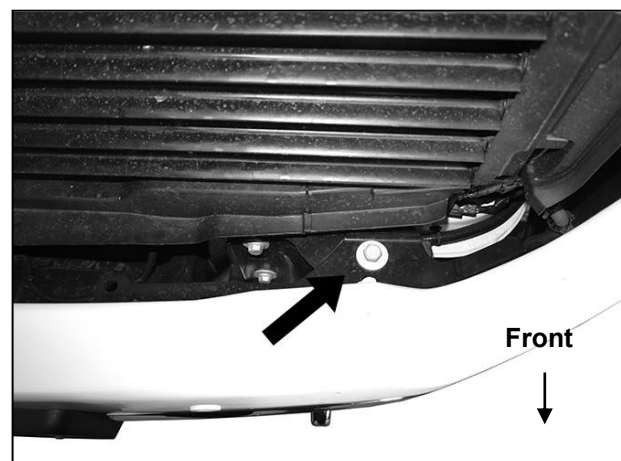
(Fig 3) Firmly pull fascia body panels up and straight out to release from clips (passenger side pictured-also see Figure 4)



(Fig 4) Once both fascia body panels (arrows) have been loosened, remove grille



(Fig 5) Apply Foam Tape to bottom of the Top Brackets (driver/left Bracket illustrated)



(Fig 6) From above, remove factory bumper bracket bolt (arrow)

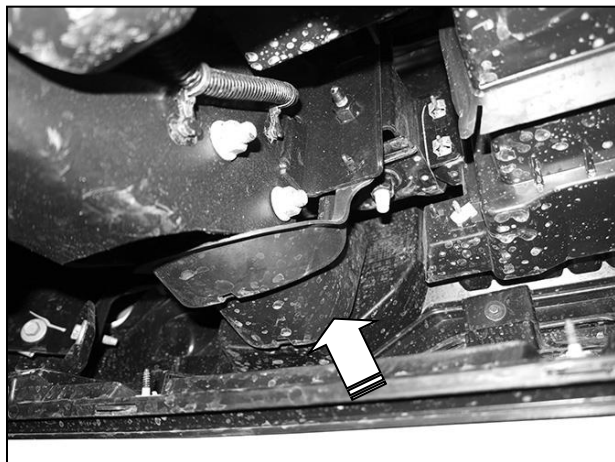
Driver/left Side Installation Pictured



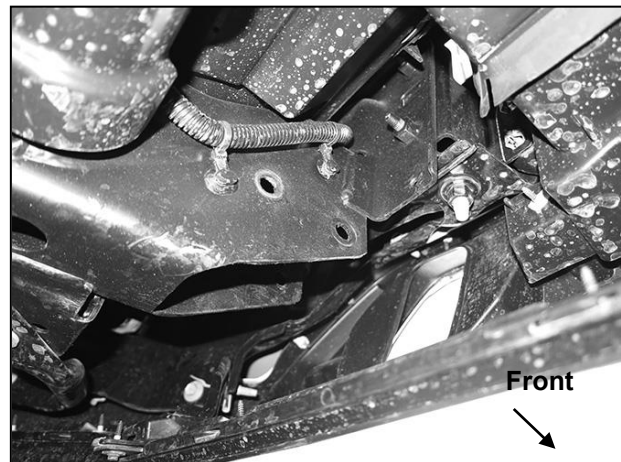
(Fig 7a) Reuse bumper bracket bolt to attach driver/left Top Bracket to top of frame



(Fig 7b) 2024-on: Reuse bumper bracket bolt to attach Driver/left Top Bracket to top of frame



(Fig 8) Remove tow hook and foam seal (driver/left pictured from below)



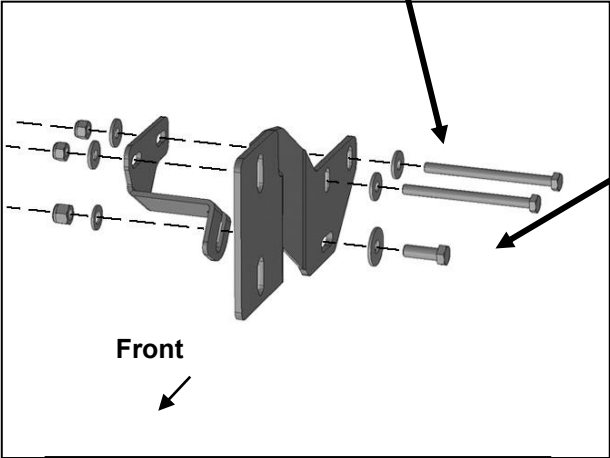
(Fig 9) Remove tow hook and foam seal (driver/left pictured)



(Fig 10) Reinsert tow hook. Insert driver/left outer Frame Bracket through opening and along outside of frame

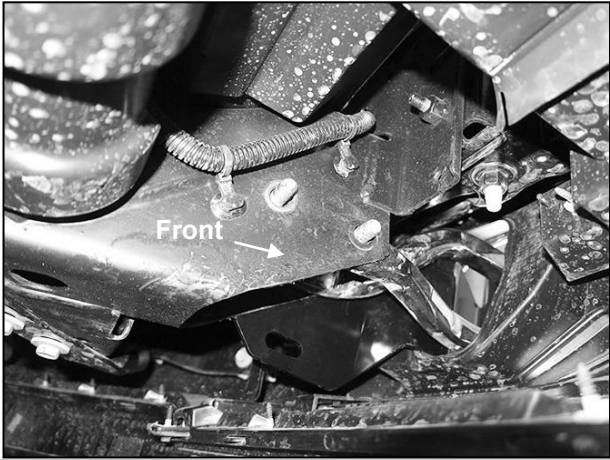
Driver/left Side Installation Pictured

- (2) 10 -1.5 mm x 130mm Hex Bolts
- (4) 10mm x 27mm OD x 3mm Flat Washers
- (2) 10-1.5mm Nylon Lock Nuts

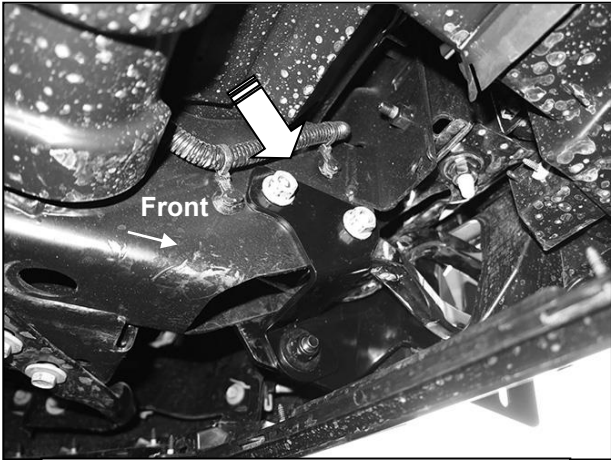


- (1) 12-1.75mm x 35mm Hex Bolt
- (1) 12mm x 37mm OD x 3mm Large Flat Washer
- (1) 12mm x 24mm OD x 2.5mm STD Flat Washer
- (1) 12-1.75mm Nylon Lock Nut

(Fig 11) Driver/left Frame Bracket and inner Support Bracket illustrated



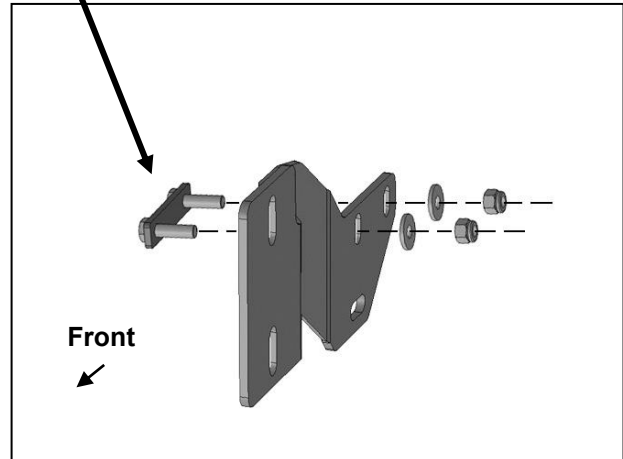
(Fig 12) Attach driver/left Frame Bracket to outside of frame (pictured from below bumper)



(Fig 13) Attach driver/left inner Support Bracket to inner facing side of frame

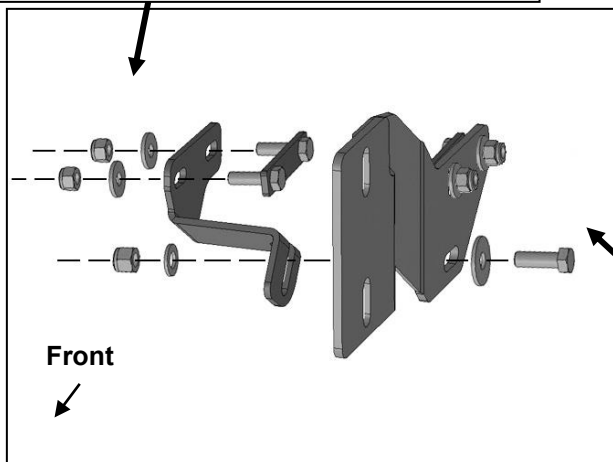
Driver/left Side Installation Pictured

- (1) 10-1.5mm x 35mm Double Bolt Plate
- (2) 10mm x 27mm OD x 3mm Flat Washers
- (2) 10-1.5mm Nylon Lock Nuts



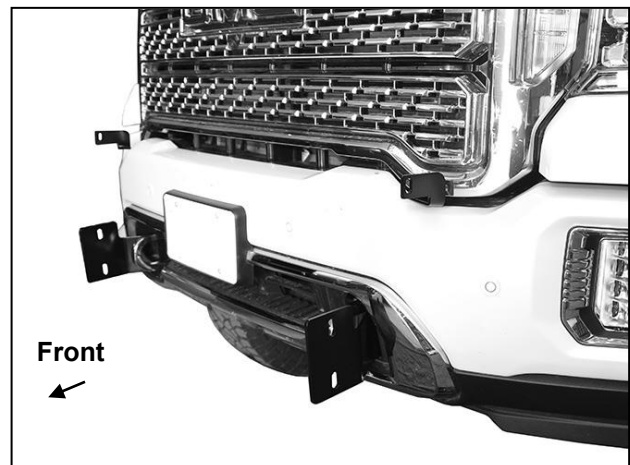
(Fig 14) Models without tow hooks, insert Double Bolt Plate into frame and out through holes. Attach driver/left Frame Bracket to Double Bolt Plate

- (1) 10-1.5mm x 35mm Double Bolt Plate
- (2) 10mm x 27mm OD x 3mm Flat Washers
- (2) 10-1.5mm Nylon Lock Nuts



(Fig 15) Models without tow hooks, insert Double Bolt Plate into frame and out through holes. Attach driver/left inner Support Bracket to Double Bolt Plate. Attach Support Bracket to bottom of Frame Bracket

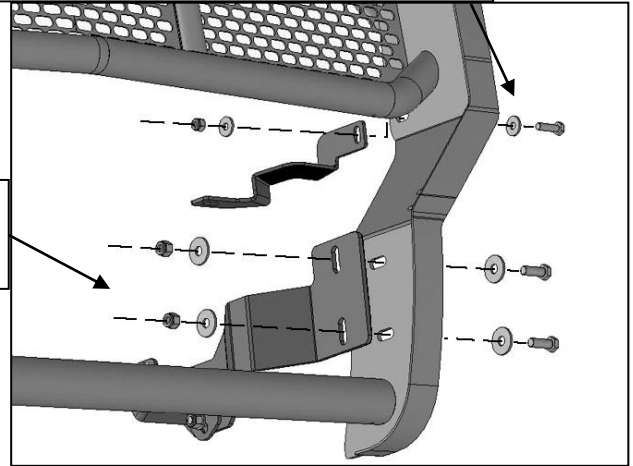
- (1) 12-1.75mm x 35mm Hex Bolt
- (1) 12mm x 37mm OD x 3mm Large Flat Washer
- (1) 12mm x 24mm OD x 2.5mm STD Flat Washer
- (1) 12-1.75mm Nylon Lock Nut



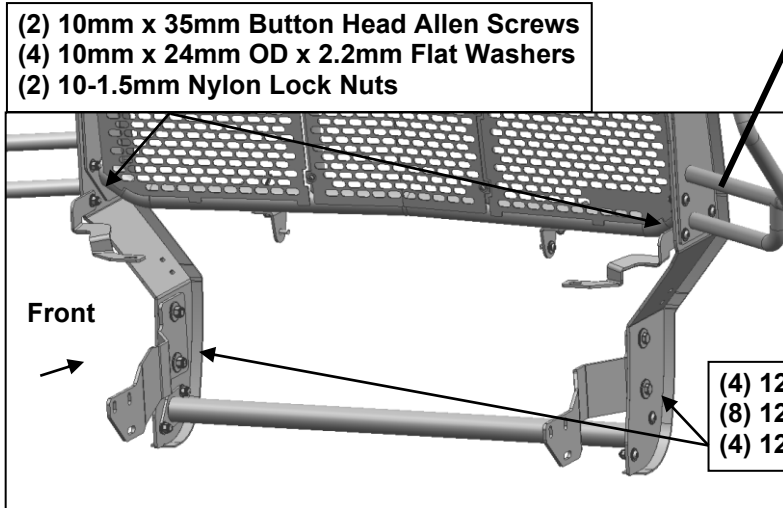
(Fig 16) Brackets installed. Do not reinstall grille until after Grille Guard has been installed, Brackets adjusted and hardware tightened to frame only (Step 10, Fig 18)

Driver/left Side Installation Pictured

- (1) 10mm x 35mm Button Head Allen Screws
- (2) 10mm x 24mm OD x 2.2mm Flat Washers
- (1) 10-1.5mm Nylon Lock Nuts



- (2) 12-1.75mm x 35mm Hex Bolts
- (4) 12mm x 37mm OD x 3mm Large Flat Washers
- (2) 12-1.75mm Nylon Lock Nuts

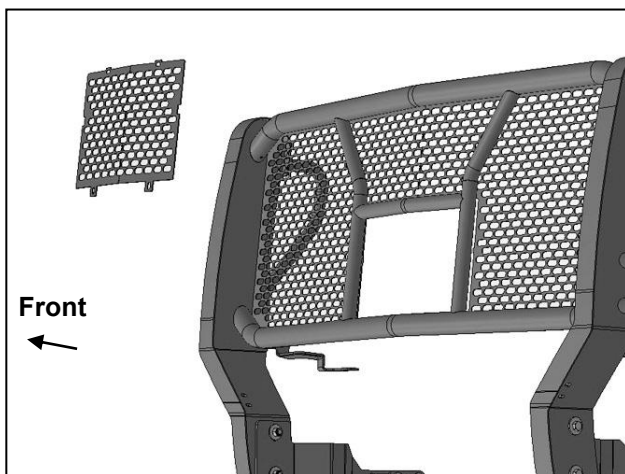


- (4) 12-1.75mm x 35mm Hex Bolts
- (8) 12mm x 37mm OD x 3mm Large Flat Washers
- (4) 12-1.75mm Nylon Lock Nuts

(Fig 17) Attach Grille Guard to outside of Brackets



(Fig 18) Grille Guard installed
(driver/left side pictured)



(Fig 19) Models with grille mounted camera, remove screen from Grille Guard