

INSTALLATION INSTRUCTION

15-18 VOLVO XC90 Premium Running Boards

Brackets

PART #BR-V1



**BLACK HORSE
OFF ROAD**

Attention:

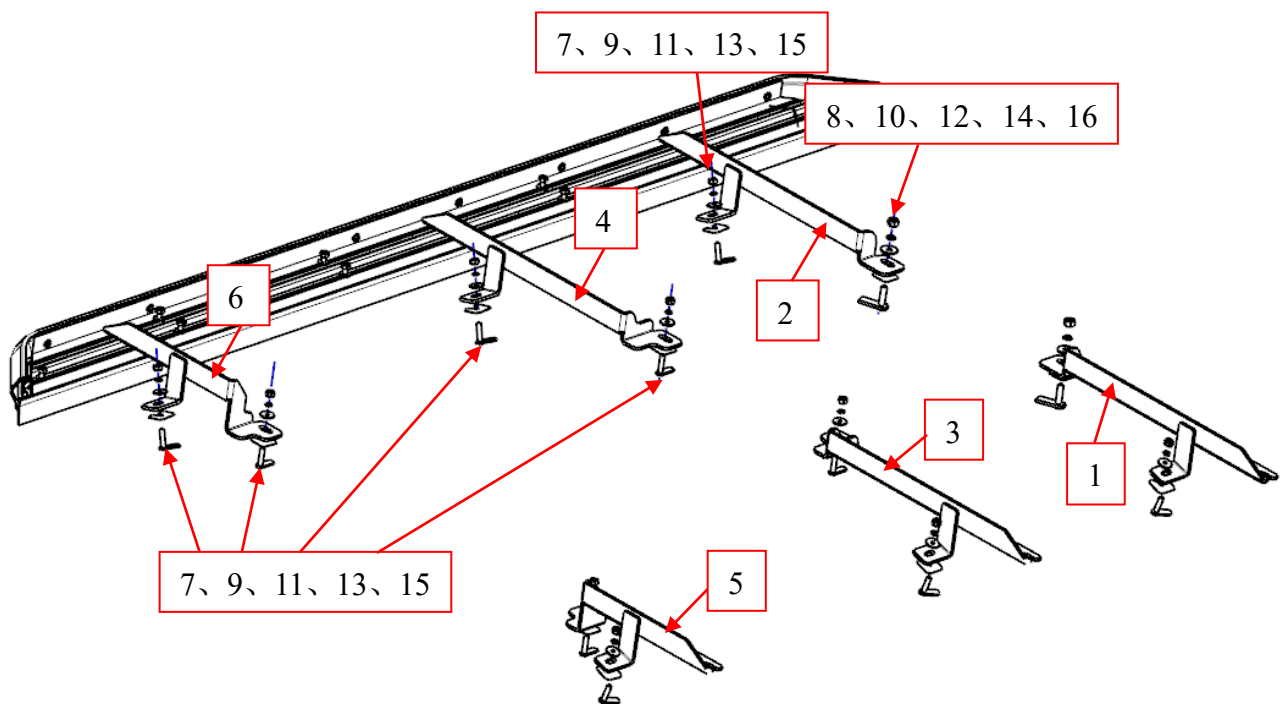
- Please read this installation menu before installing this part. Protect your car properly in case there is any scratch might happen.
- You may need to periodically to re-tighten all hardware for safety use after installation.
- Installation pictures are only for your reference, there might be some differences between pictures and real parts but no affection for your fitting.

PART LIST

No.	Name	Qty	Remark	No.	Name	Qty	Remark
1	FRONT BRACKET (L)	1		9	Spring Washer	10	φ 8
2	FRONT BRACKET (R)	1		10	Spring Washer	2	φ 10
3	MID BRACKET (L)	1		11	Hexagon Nut	10	M8
4	MID BRACKET (R)	1		12	Hexagon Nut	2	M10
5	REAR BRACKET (L)	1		13	PVC Clip	10	Φ 8
6	REAR BRACKET (R)	1		14	PVC Clip	2	Φ 10
7	Large Washer	10	φ 8*25*2.0	15	T-bolt	10	M8
8	Large Washer	2	φ 10*30*2.5	16	T-bolt	2	M10

Note: The installation method is the same for both sides.

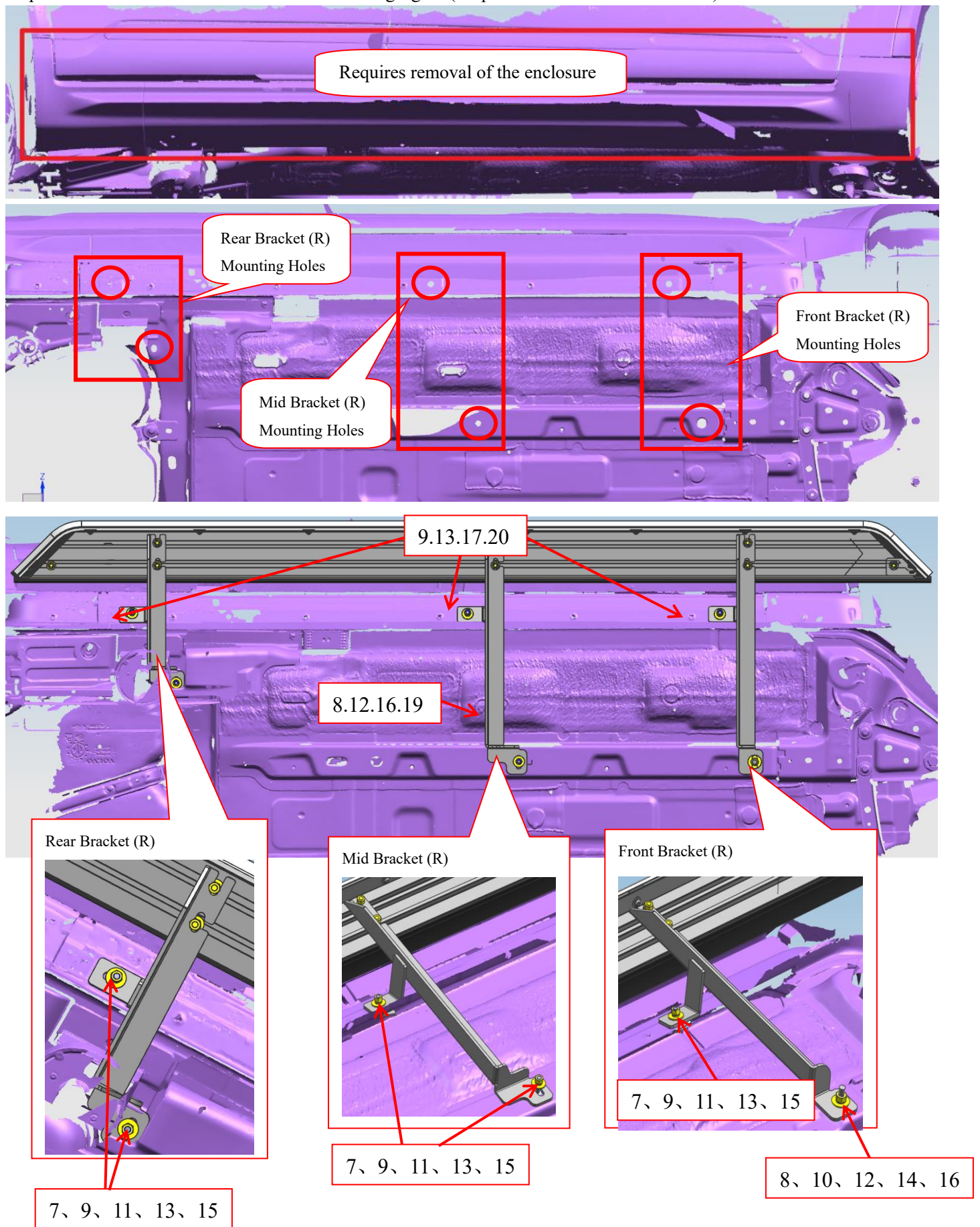
Installation Diagram



Installation Steps

Step 1: Refer to the accessory list and diagram to check if the accessories are complete.

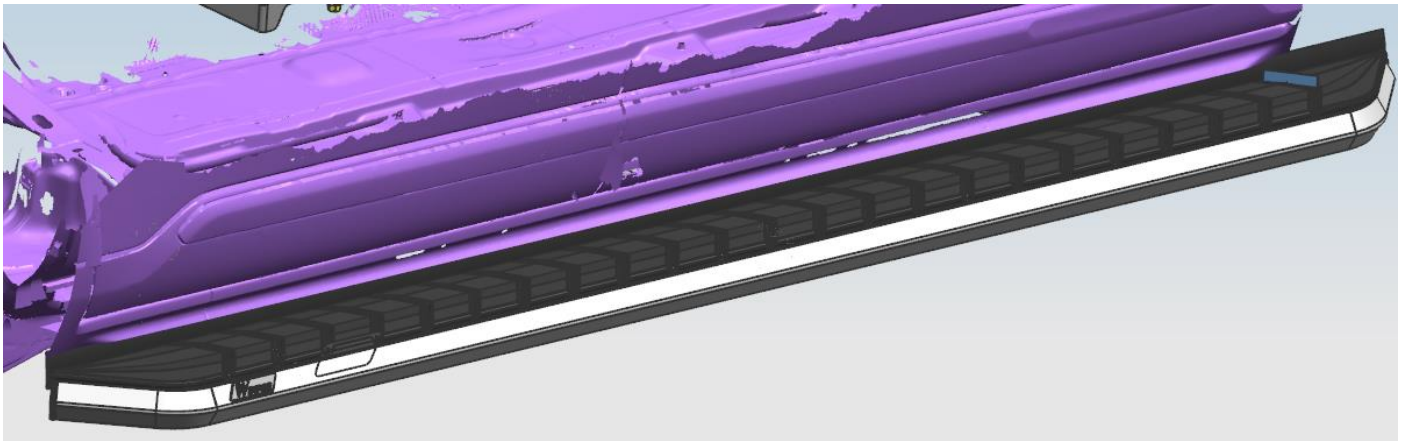
Step 2: Install the bracket as shown in the following figure.(Requires removal of the enclosure)



Step 3: Install the pedal on the bracket and adjust the installation position of the bracket according to the position of the pedal.

Step 4: Check if each standard component is aligned, then tighten each standard component

Step 5: Install the final rendering as shown below.



Disclaimer: Any issues or losses arising from improper installation or use are not covered by our company's warranty.