



TEL: 1-866-XANATOS

INSTALLATION INSTRUCTIONS

MATT BLACK ROLLER COVER FOR CHEVROLET/GMC

COLORADO/CANYON 5' BED 2015-2025

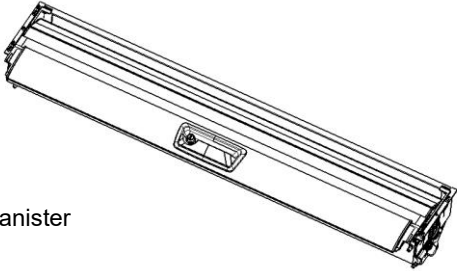
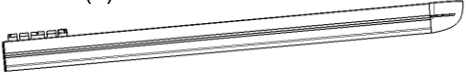
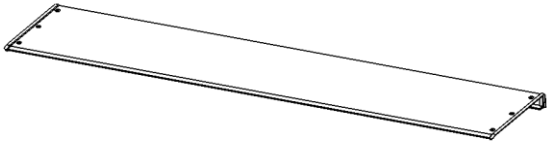
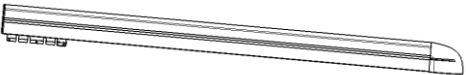
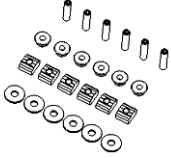
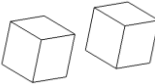
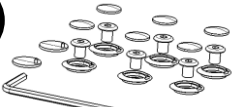

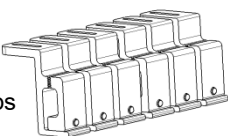
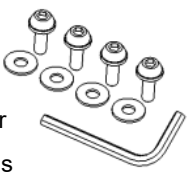

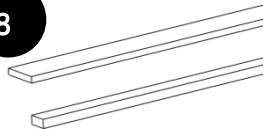
PART # RCG30

PROTECTED BY ONE OR MORE PATENT

Before Installation

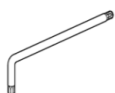
Please read the instruction completely for easy installation, which will also help you to avoid scratches or other potential damages to your appealing car.
 Please periodically check and retighten all the hardware and clean the investment for a refresh look.
 The figures here are for reference only and may have differences with the actual product you received, however they share the same assembly way.

PART LIST

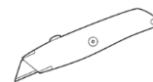
<p>A</p>  <p>Canister</p>	<p>B</p> <p>Side Rail (L)</p> 
<p>D</p>  <p>Cover Plate</p>	<p>C</p> <p>Side Rail (R)</p> 
<p>1</p>  <p>Accessories for clamps</p>	<p>2</p>  <p>Positioning rubber foam (Tailgate)</p>
<p>5</p>  <p>Accessories for cover plate</p>	<p>6</p>  <p>Rear Drain-tube</p>
<p>3</p>  <p>Clamps</p>	<p>4</p>  <p>Bolts for side rails</p>
<p>7</p>  <p>Front Drain-tube</p>	<p>8</p>  <p>Foam seal</p>



Tools and materials needed

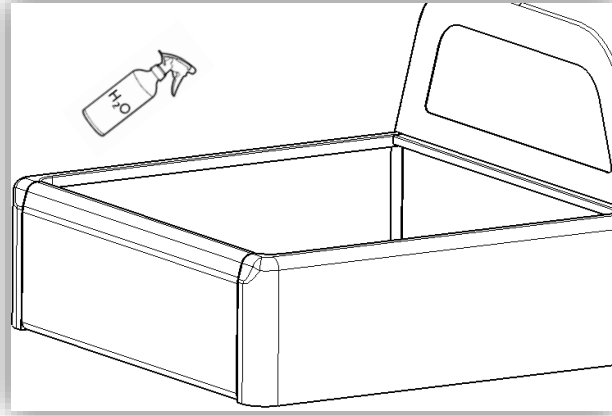


T15, T30

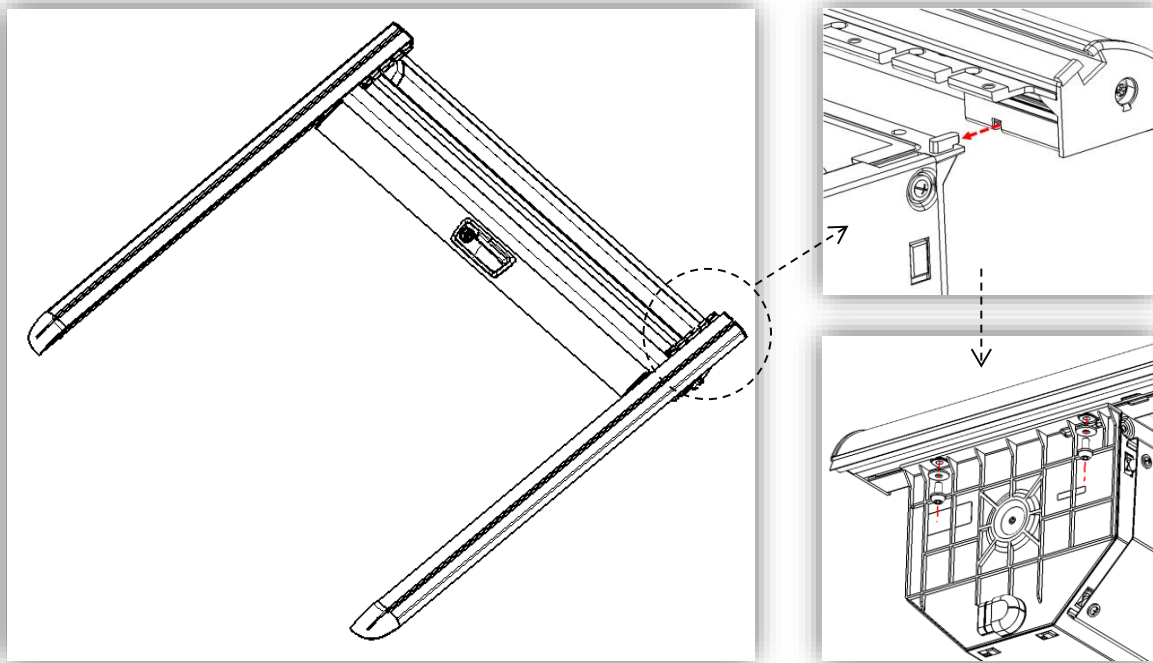


Installation Steps

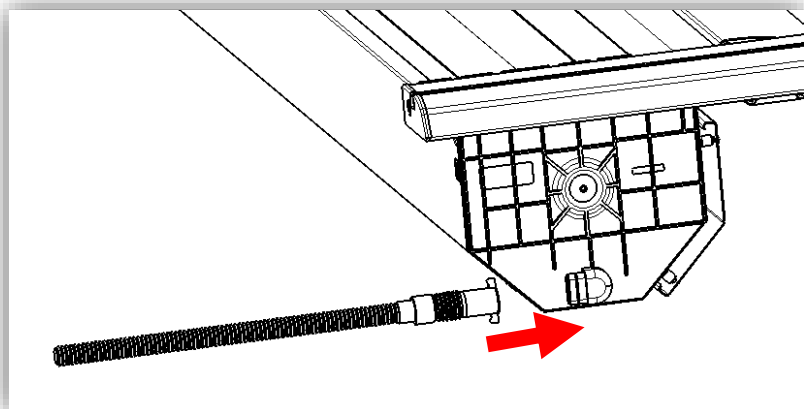
1. Cleaning the trunk and margin by water X, dismantling the other unnecessary part for clean and tidy.



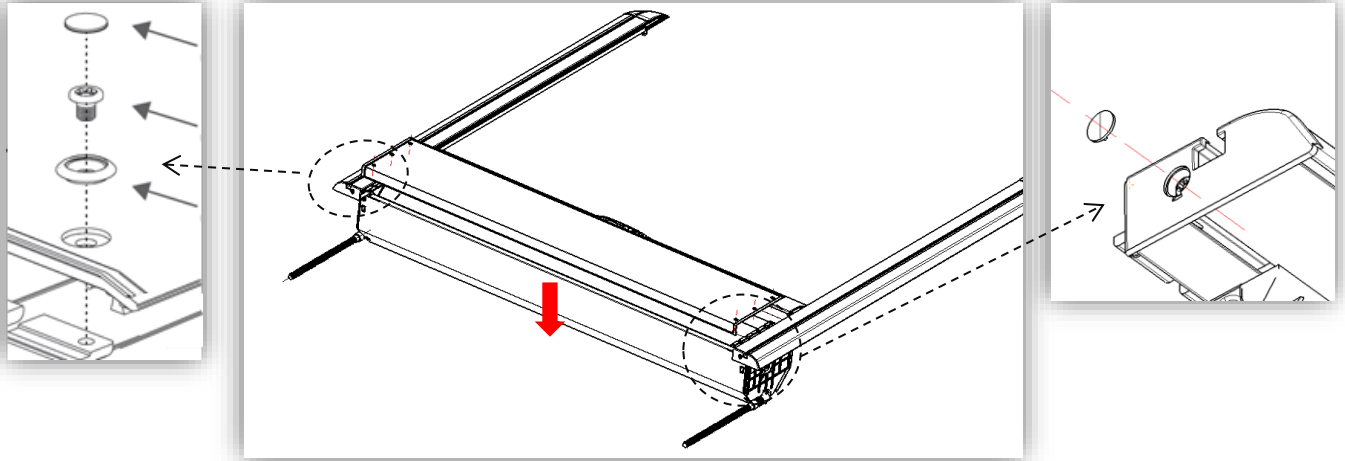
2. Install ②\③ side rails on ① canister with ④ M6_12 bolt combo.



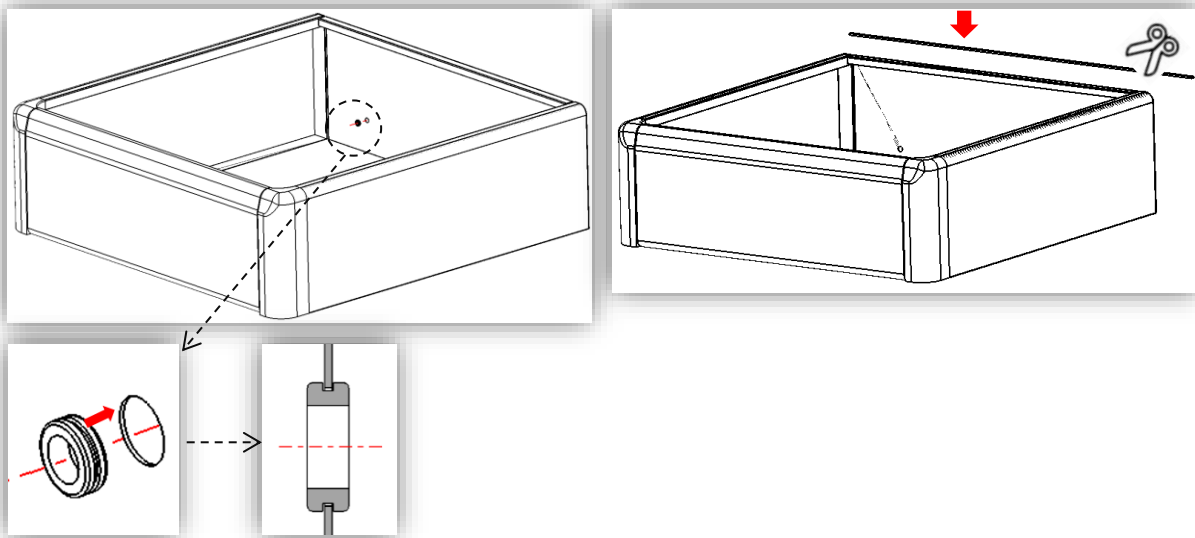
3. Install the drain-pipe ⑦, assembly way is same on both sides.



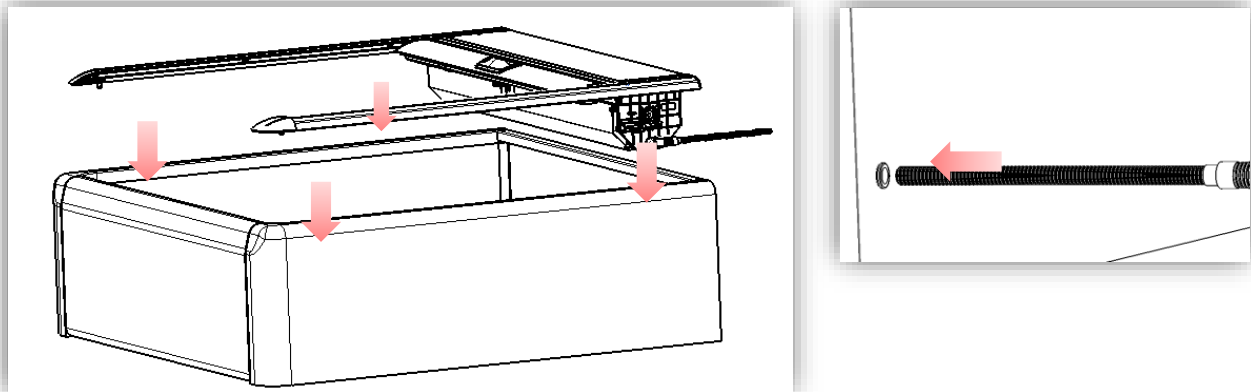
4. Place ④ cover plate on canister, fasten it with the side rails with ⑤ M5_6 bolt combo.



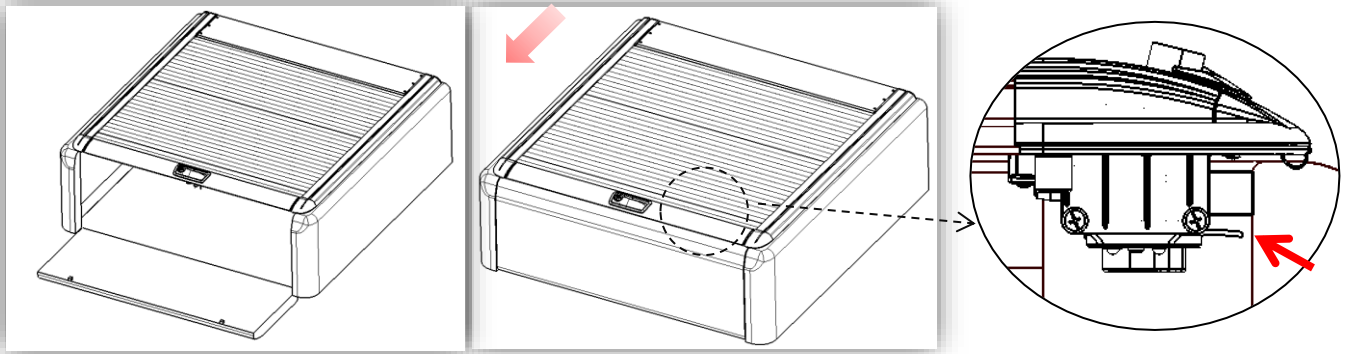
5. Find the two holes on the front of the truck bed, and then install the grommet ⑦ on it. Both sides should be same. Install the bulkhead seal ⑧ and trim it at the corner part to match the side rails.



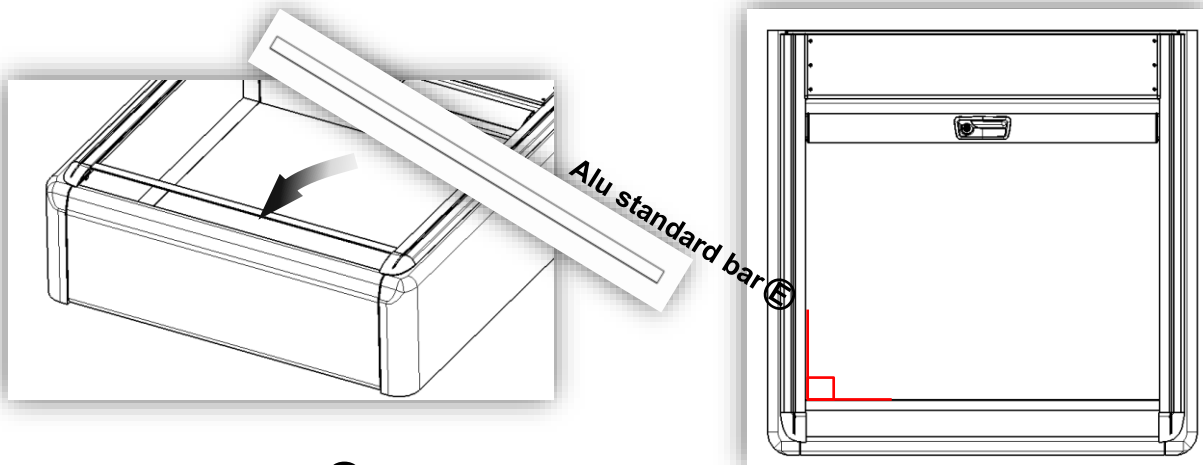
6. Put the roller shutter on truck bed, thread the front drain-tube to the truck bed.



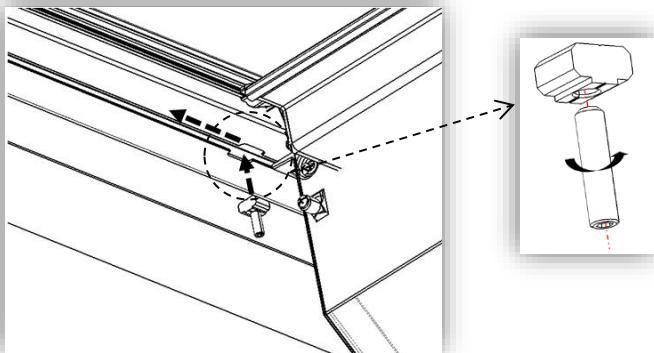
7. Put the rubber foam ② on the tailgate, as the photo shows above. Close the roller lid and pull it backwards until it touch the rubber foam.



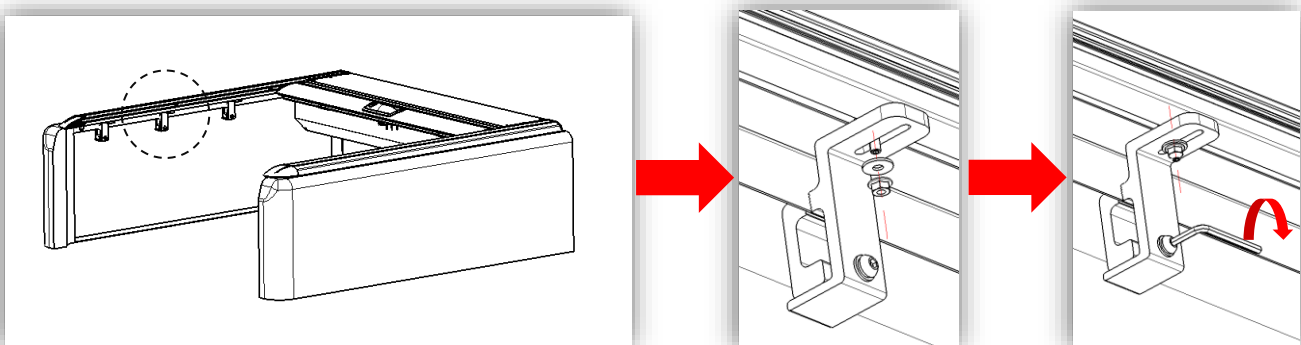
8. Open the roller lid and put the ⑤ Alu standard bar to adjust the width between two side rails. Distance between the side rails should be same from front to rear part.



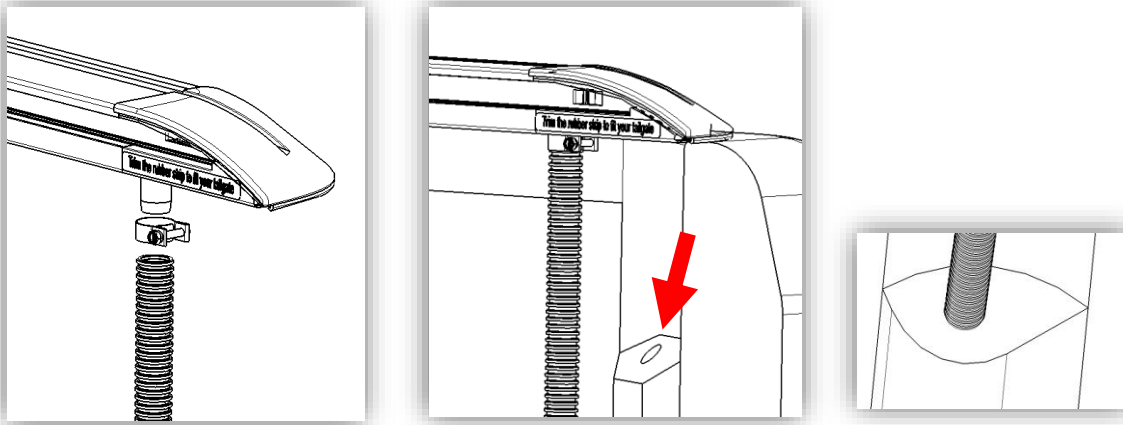
9. As the figure shows, ① M6 bolt screwed into M6 square nut. Then put the bolts into the side rails, 3 pieces on each side.



10. Install the ③ clamps and put it to appropriate position, fasten it with ① M6 bolt combo.



11. Install the drain-tube ⑥ at the rear part of the side rail. (Both sides should be same)



12. If the roller shutter do not runs smoothly, you can follow below steps: (as the picture shows)

- a. Put some lubricating oil on the track.
- b. Adjust the spring.

(Notice: These 2 steps should be done every 3 months; also you can do it if need

