



TEL: 1-866-XANATOS

INSTALLATION INSTRUCTIONS

BRACKETS FOR 2.5" BULL BAR

FOR 18-24 CHEVY EQUINOX -17SS02

PART # C39

PROTECTED BY ONE OR MORE PATENT

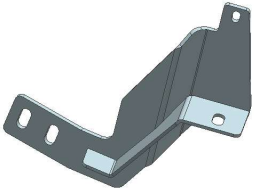
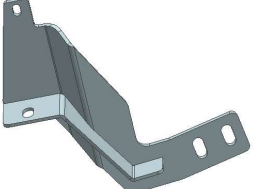

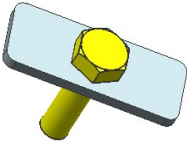





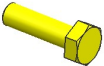

Before Installation

- Please read the instruction completely for easy installation, which will also help you to avoid scratches or other potential damages to your appealing car.
- The figures here are for reference only and may have differences with the actual product you received, however they share the same assembly way.

Care and Cleaning

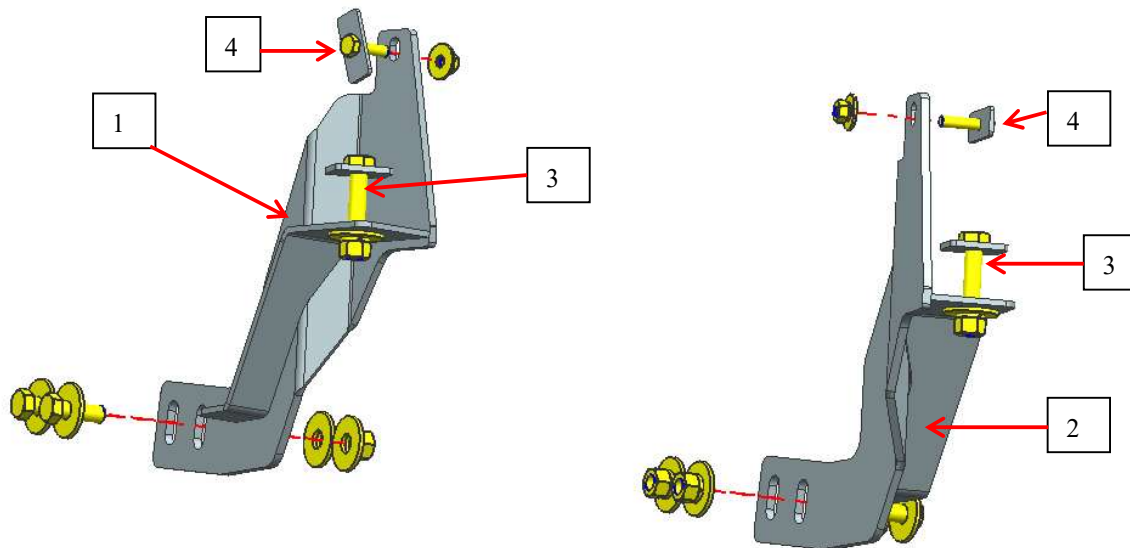
- Mild soap may be used also to clean the Product.
- Please periodically check and retighten all the hardware and clean the investment for a refresh look.

Parts list

NO.	QTY	NAME	NO.	QTY	NAME
①	1	 Driver/left Mounting Bracket	②	1	 Passenger/Right Mounting Bracket
③	2	 T – Bolt (Full Thread) M12_60 (40x30-20-4)	④	2	 T – Bolt (Full Thread) M8_30 (48x20-24-3)
⑤	6	 Lock Washer D12	⑥	2	 Flat Washer D8 (8x24x2mm)
⑦	10	 Flat Washer D12 (12x37x3mm)	⑧	2	 Hex Nut M8
⑨	6	 Hex Nut M12	⑩	4	 Hex Bolt (full thread) M12_35
⑪	2	 Lock Washer D8	⑫		

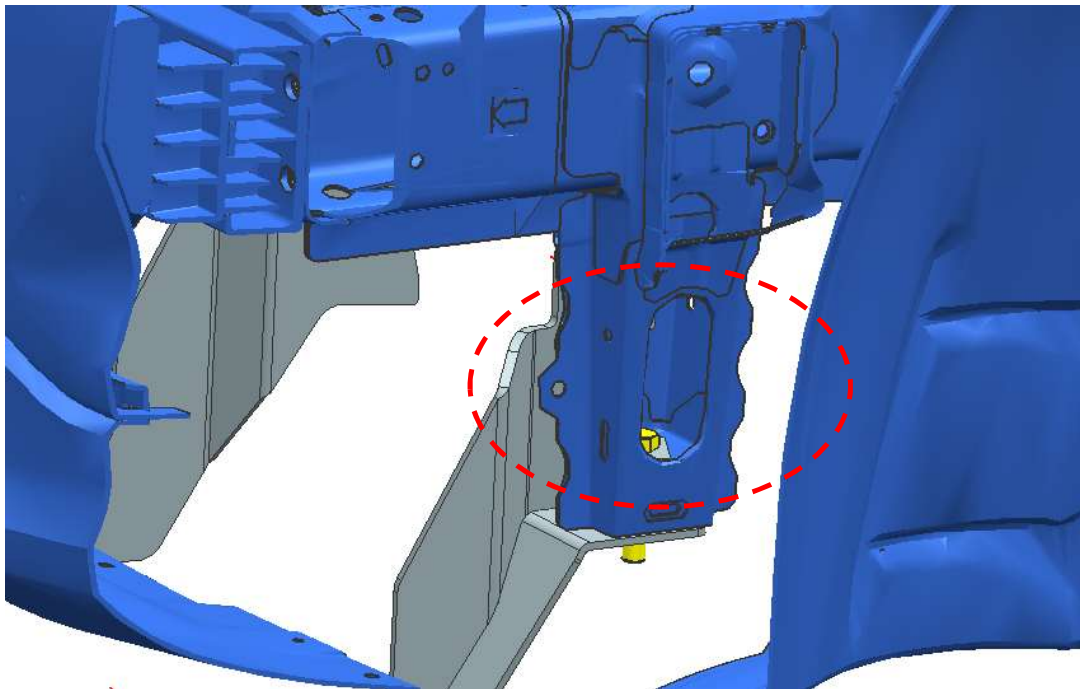
Installation Steps

Installation Figure:

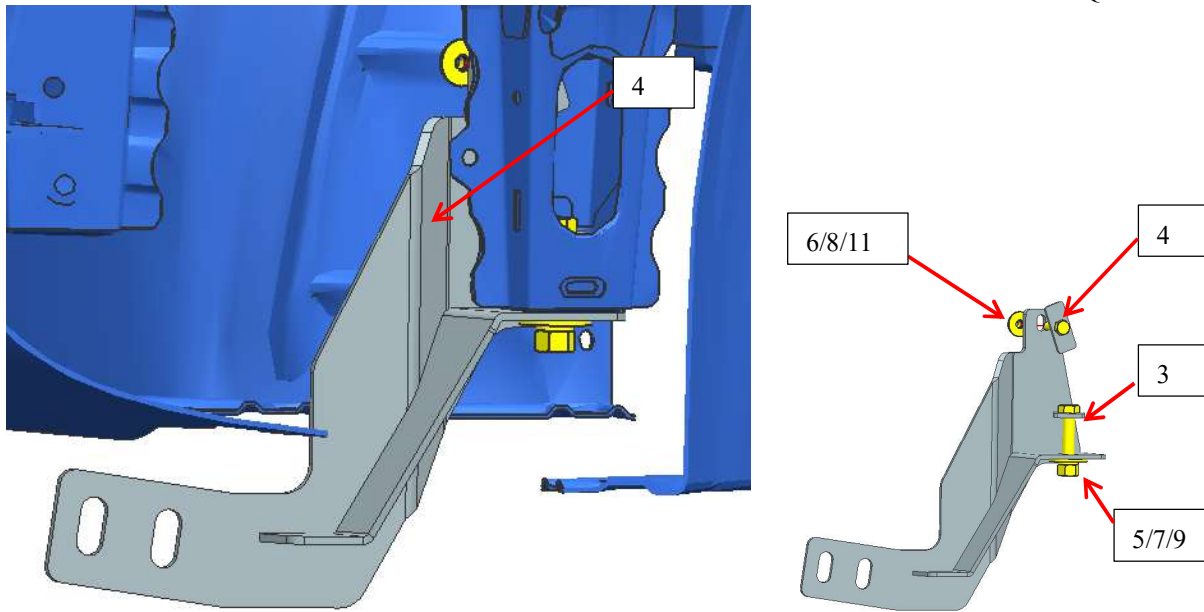


Step 1: Verify that all parts are present according to the manual.

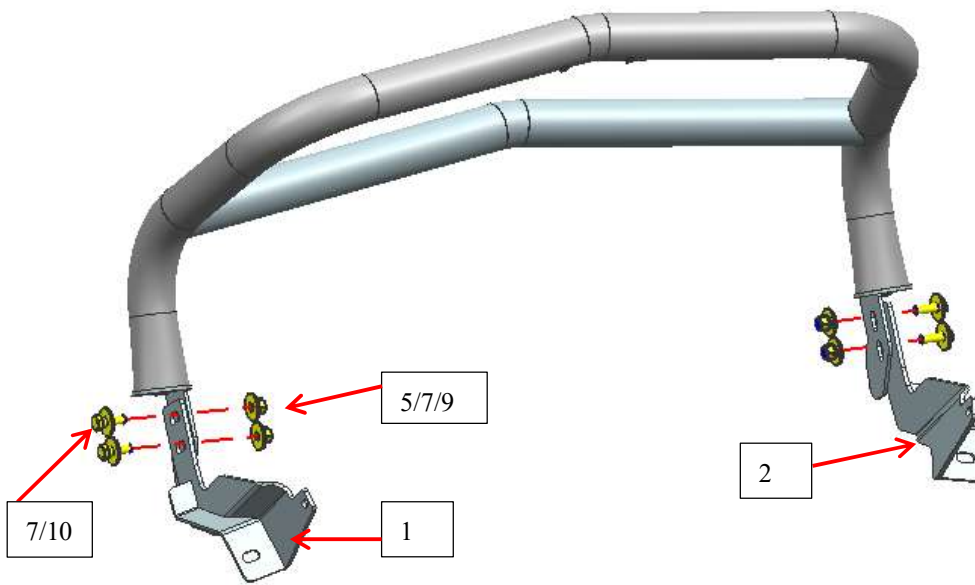
Find the hole shown in the figure below at the left and right crossbars of the vehicle body.



Step 2: First, place T-bolt ③ and T-bolt ④ into the corresponding installation hole of the left beam through the large waist hole, then use the standard parts 5/6/7/8/9/11 to install the driver/left Mounting Bracket ① onto the left beam. Passenger/right mounting bracket ② symmetrically installed.



Step 3: Using standard parts 5/7/9/10 to fix the bumper onto the mounting bracket ①&②.



Step4: Finished installation.



NOTE

Any damages and losses caused by improper installation and application, goes beyond our quality warranty.