



TEL: 1-866-XANATOS

INSTALLATION INSTRUCTIONS
BRACKETS FOR RUNNING BAORD FOR LEXUS RX 2023-2024
PART # BR-L1
PROTECTED BY ONE OR MORE PATENT

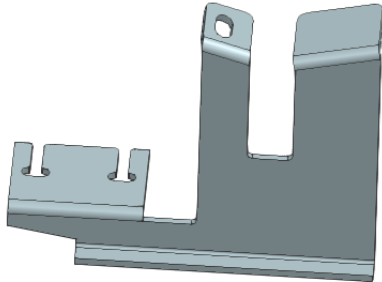
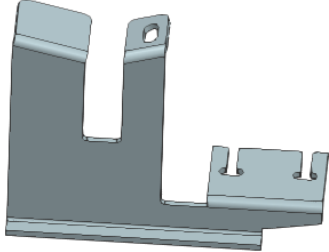
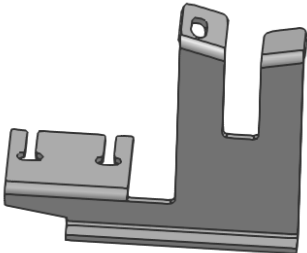
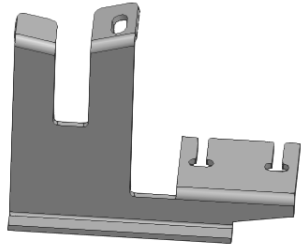
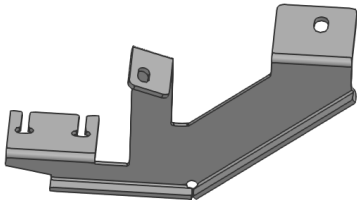
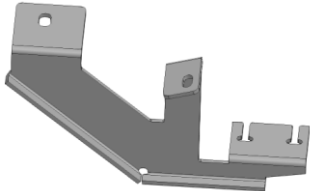
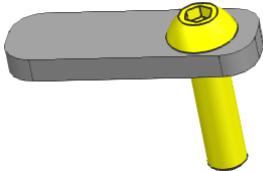
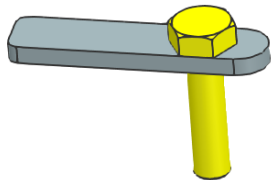
Before Installation

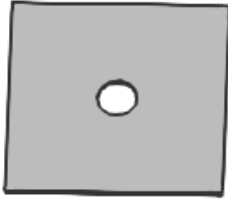
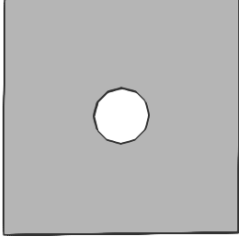


- Please read the instruction completely for easy installation, which will also help you to avoid scratches or other potential damages to your appealing car.
- The figures here are for reference only and may have differences with the actual product you received, however they share the same assembly way.

Care and Cleaning

- Mild soap may be used also to clean the Product.
- Please periodically check and retighten all the hardware and clean the investment for a refresh look.

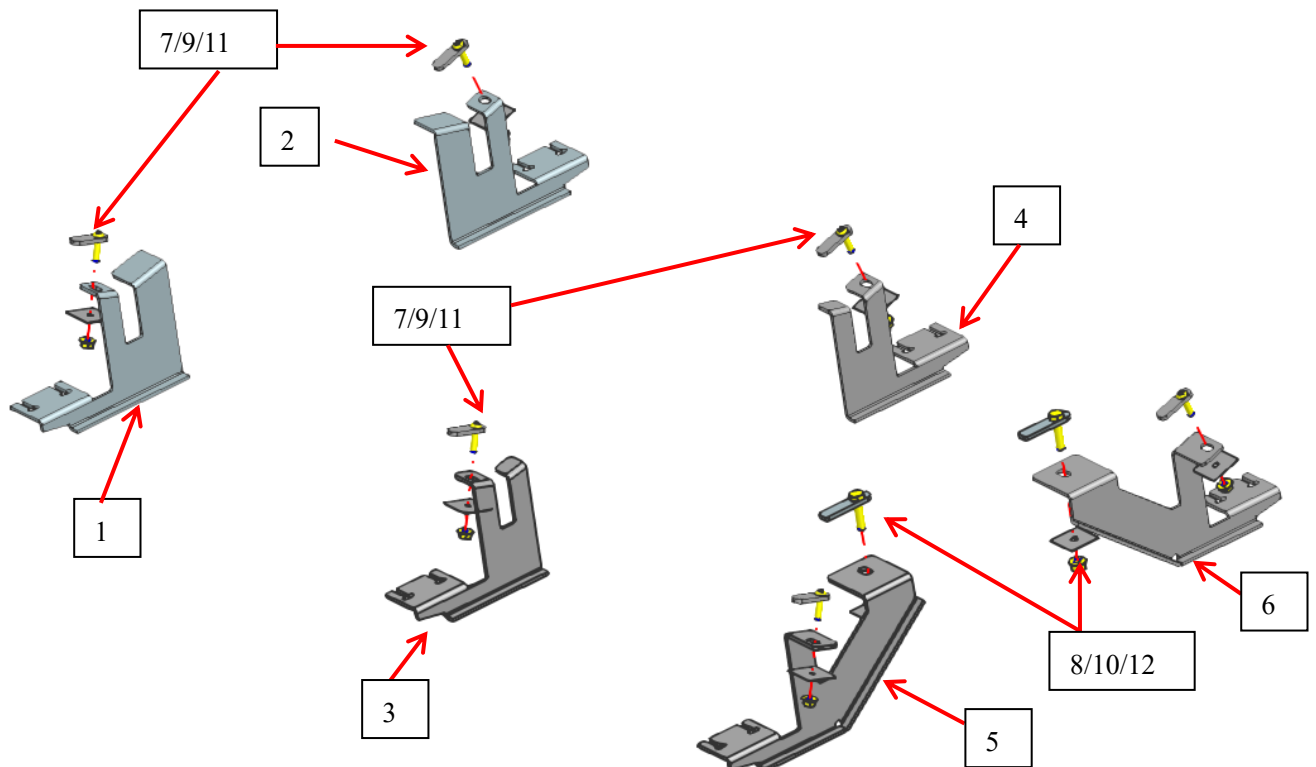
Parts list

NO.	QTY	NAME	NO.	QTY	NAME
①	1	 Driver/left Front Mounting Bracket	②	1	 Passenger/right Front Mounting Bracket
③	1	 Driver/left Center Mounting Bracket	④	1	 Passenger/right Center Mounting Bracket
⑤	1	 Driver/left Rear Mounting Bracket	⑥	1	 Passenger/right Rear Mounting Bracket
⑦	6	 T Bolt (M8x30 Button Head Bolt)(50x16-11-5)	⑧	2	 T Bolt (M10x40 Hex Bolt)(70x16-18-5)(Forφ25-27 Hole)

⑨	6		⑩	2	
		PVC Plastic Retainer φ8 (δ0.7*40*40)			PVC Plastic Retainer φ10 (δ0.7*40*40)
⑪	6		⑫	2	
		Flange Hex Nut M8			Flange Hex Nut M10

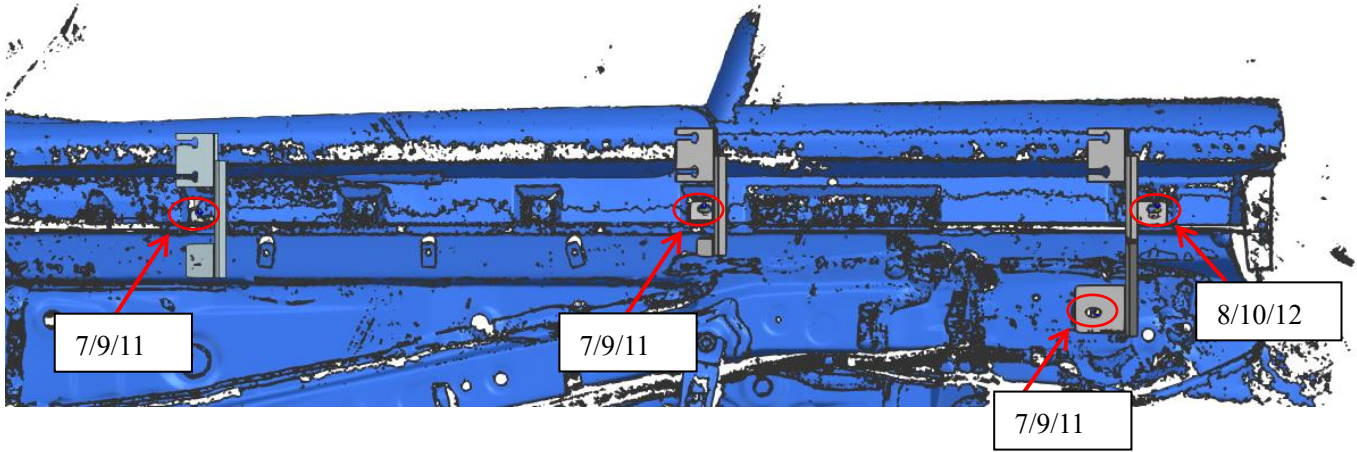
Installation Steps

Installation Figure:

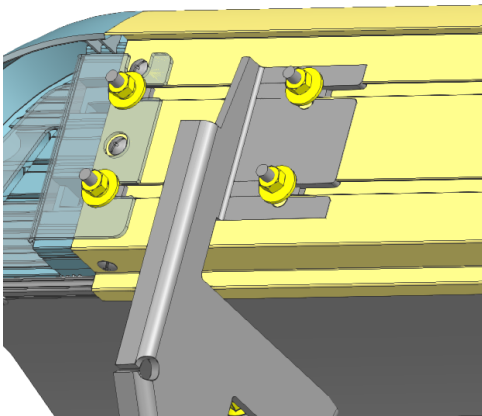
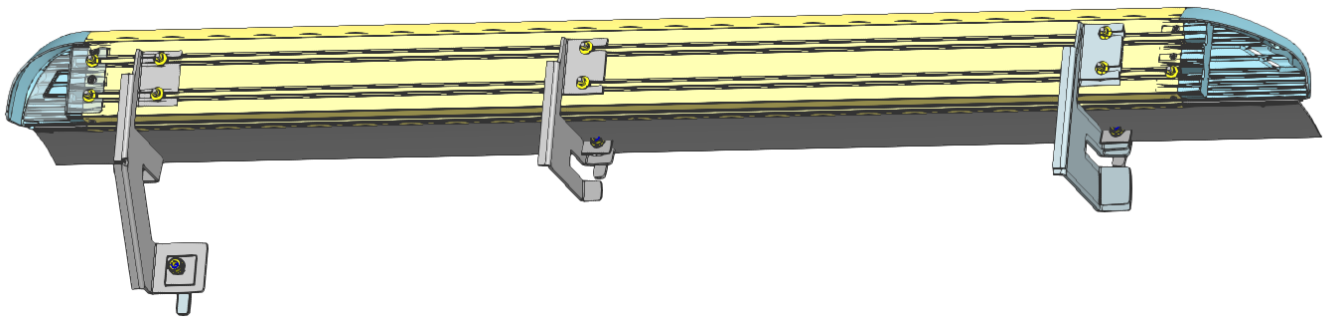


Step 1: Remove contents from box. Verify all parts are present. Read instructions carefully. Use illustration to properly identify brackets and running boards.

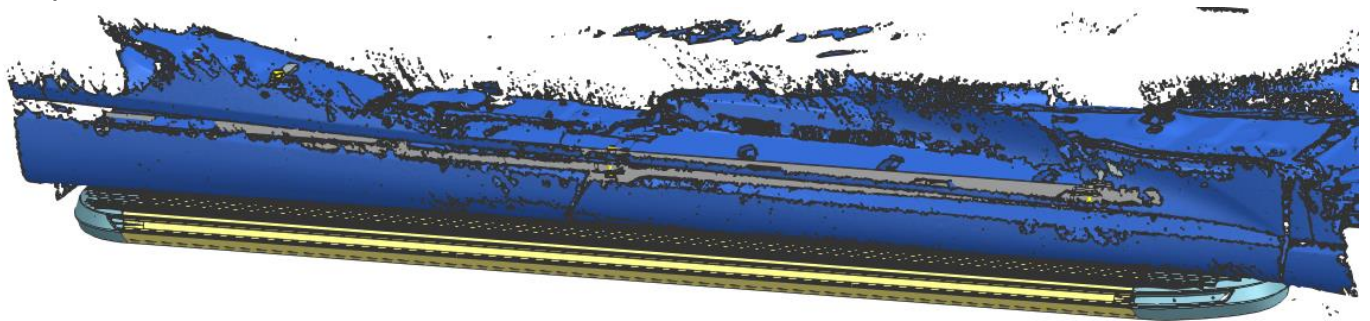
Step 2: Find the loading hole for the brackets shown in the diagram on the inner side of the skirt in the left side running board area, and use the corresponding T-bolt to install the left brackets onto the vehicle according to the Installation Figure, with a total of 3 locations. Install symmetrically of the right side brackets.



Step 3: Place the left running board on the left side brackets, adjust the appropriate position, and use the small square head bolts in the running boards and corresponding standard parts to lock and install the left running board with brackets. The right running board is installed symmetrically.



Complete Installation:



NOTE

Any damages and losses caused by improper installation and application, goes beyond our quality warranty.